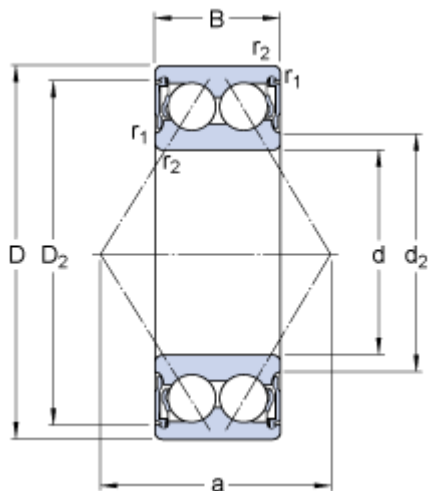


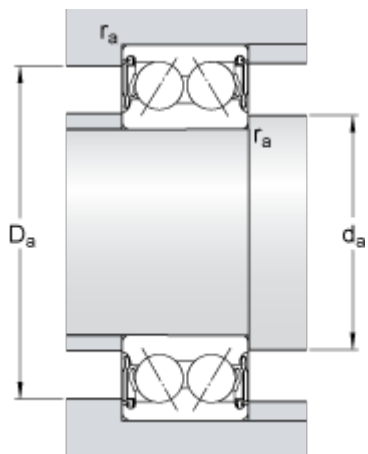
3201 A- 2 RS 1 TN 9 /MT 33

Dimensions



d	12	mm
D	32	mm
B	15.9	mm
d ₂	≈ 17.2	mm
D ₂	≈ 27.7	mm
r _{1,2}	min. 0.6	mm
a	19	mm

Abutment dimensions



d _a	min. 16.4	mm
d _a	max. 17	mm
D _a	max. 27.6	mm
r _a	max. 0.6	mm

Calculation data

Basic dynamic load rating	C	10.1	kN
Basic static load rating	C ₀	5.6	kN
Fatigue load limit	P _u	0.24	kN
Limiting speed		15000	r/min
Calculation factor	k _r	0.06	
Calculation factor	e	0.8	
Calculation factor	X	0.63	
Calculation factor	Y ₀	0.66	

Calculation factor

Y₁

0.78

Calculation factor

Y₂

1.24

Mass

Mass bearing

0.058

kg
