

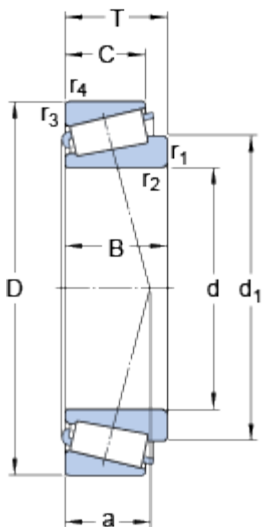
32006 X

Popular item
SKF Explorer

Dimension series

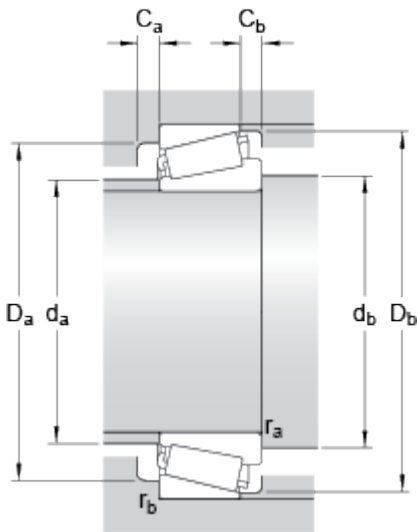
4CC

Dimensions



| | | |
|------------------|--------|----|
| d | 30 | mm |
| D | 55 | mm |
| T | 17 | mm |
| d ₁ | 43.6 | mm |
| B | 17 | mm |
| C | 13 | mm |
| r _{1,2} | min. 1 | mm |
| r _{3,4} | min. 1 | mm |
| a | 13.165 | mm |

Abutment dimensions



| | | |
|----------------|---------|----|
| d _a | max. 36 | mm |
| d _b | min. 37 | mm |
| D _a | min. 48 | mm |
| D _a | max. 49 | mm |
| D _b | min. 52 | mm |
| C _a | min. 3 | mm |
| C _b | min. 4 | mm |
| r _a | max. 1 | mm |
| r _b | max. 1 | mm |

Calculation data

| | | | |
|---------------------------|----------------|-------|-------|
| Basic dynamic load rating | C | 43.9 | kN |
| Basic static load rating | C ₀ | 44 | kN |
| Fatigue load limit | P _u | 4.55 | kN |
| Reference speed | | 10000 | r/min |
| Limiting speed | | 12000 | r/min |
| Calculation factor | e | 0.43 | |
| Calculation factor | Y | 1.4 | |

Calculation factor

Y_0

0.8

Mass

Mass bearing

0.17

kg
