

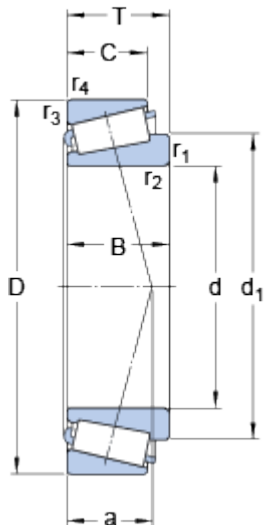
30305

SKF Explorer

Dimension series

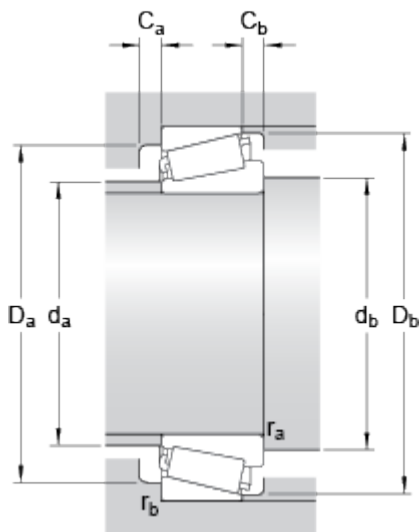
2 FB

Dimensions



d	25	mm
D	62	mm
T	18.25	mm
d ₁	≈ 41.5	mm
B	17	mm
C	15	mm
r _{1,2}	min. 1.5	mm
r _{3,4}	min. 1.5	mm
a	12.779	mm

Abutment dimensions



d _a	max. 35	mm
d _b	min. 33	mm
D _a	min. 54	mm
D _a	max. 55	mm
D _b	min. 57	mm
C _a	min. 2	mm
C _b	min. 3	mm
r _a	max. 1.5	mm

r_b

max.

mm

1.5**Calculation data**

Basic dynamic load rating	C	55.3	kN
Basic static load rating	C ₀	43	kN
Fatigue load limit	P _u	4.75	kN
Reference speed		9500	r/min
Limiting speed		12000	r/min
Calculation factor	e	0.3	
Calculation factor	Y	2	
Calculation factor	Y ₀	1.1	

Mass

Mass bearing		0.26	kg
--------------	--	-------------	----
