

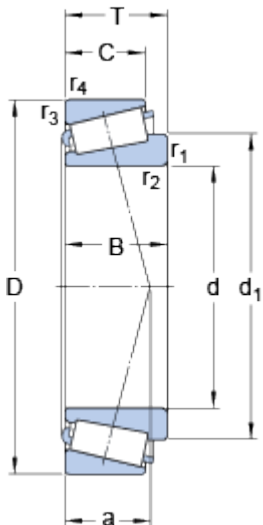
30215

SKF Explorer

Dimension series

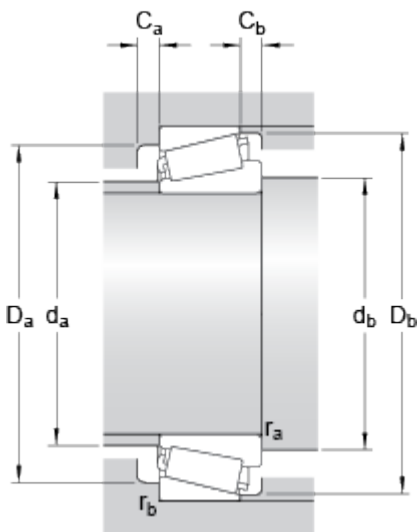
4 DB

Dimensions



d	75	mm
D	130	mm
T	27.25	mm
d ₁	≈ 99.83	mm
B	25	mm
C	22	mm
r _{1,2}	min. 2	mm
r _{3,4}	min. 1.5	mm
a	26.72	mm

Abutment dimensions



d _a	max. 87	mm
d _b	min. 85.5	mm
D _a	min. 115	mm
D _a	max. 121.5	mm
D _b	min. 124	mm
C _a	min. 4	mm
C _b	min. 5	mm
r _a	max. 2	mm

r_b

max.

mm

1.5**Calculation data**

Basic dynamic load rating	C	171	kN
Basic static load rating	C_0	176	kN
Fatigue load limit	P_u	20.4	kN
Reference speed		4000	r/min
Limiting speed		5000	r/min
Calculation factor	e	0.43	
Calculation factor	Y	1.4	
Calculation factor	Y_0	0.8	

Mass

Mass bearing		1.38	kg
--------------	--	-------------	----
