

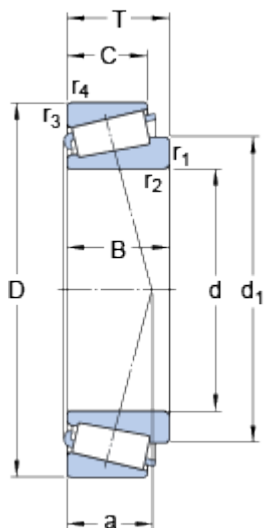
30211

SKF Explorer

Dimension series

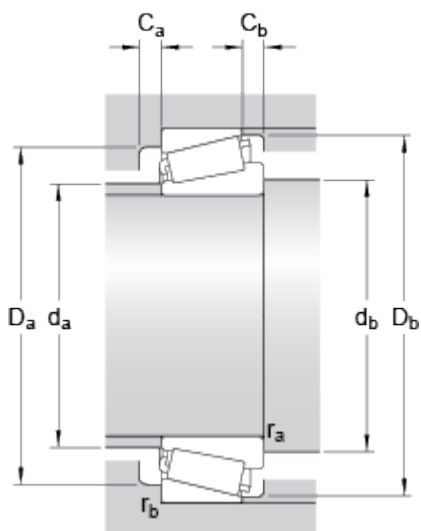
3 DB

Dimensions



d	55	mm
D	100	mm
T	22.75	mm
d ₁	≈ 74.7	mm
B	21	mm
C	18	mm
r _{1,2}	min. 2	mm
r _{3,4}	min. 1.5	mm
a	20.251	mm

Abutment dimensions



d _a	max. 64	mm
d _b	min. 65	mm
D _a	min. 88	mm
D _a	max. 92	mm
D _b	min. 94	mm
C _a	min. 4	mm
C _b	min. 4.5	mm
r _a	max. 2	mm

r_b

max.

mm

1.5**Calculation data**

Basic dynamic load rating	C	111	kN
Basic static load rating	C_0	106	kN
Fatigue load limit	P_u	12	kN
Reference speed		5300	r/min
Limiting speed		6700	r/min
Calculation factor	e	0.4	
Calculation factor	Y	1.5	
Calculation factor	Y_0	0.8	

Mass

Mass bearing		0.7	kg
--------------	--	------------	----
