

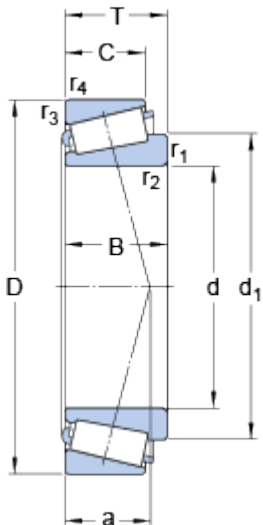
30210

SKF Explorer

Dimension series

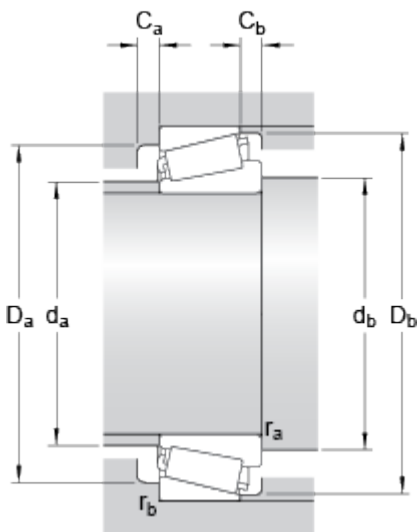
3 DB

Dimensions



d	50	mm
D	90	mm
T	21.75	mm
d ₁	≈ 68	mm
B	20	mm
C	17	mm
r _{1,2}	min. 1.5	mm
r _{3,4}	min. 1.5	mm
a	19.248	mm

Abutment dimensions



d _a	max. 59	mm
d _b	min. 59	mm
D _a	min. 79	mm
D _a	max. 82	mm
D _b	min. 85	mm
C _a	min. 3	mm
C _b	min. 4.5	mm
r _a	max. 1.5	mm

r_b

max.

mm

1.5**Calculation data**

Basic dynamic load rating	C	93.1	kN
Basic static load rating	C₀	91.5	kN
Fatigue load limit	P _u	10.4	kN
Reference speed		6000	r/min
Limiting speed		7500	r/min
Calculation factor	e	0.43	
Calculation factor	Y	1.4	
Calculation factor	Y₀	0.8	

Mass

Mass bearing		0.54	kg
--------------	--	-------------	----
