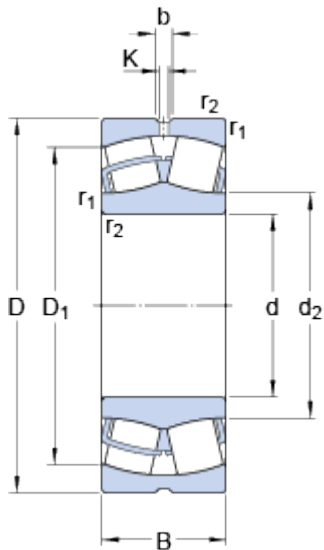


22308 E

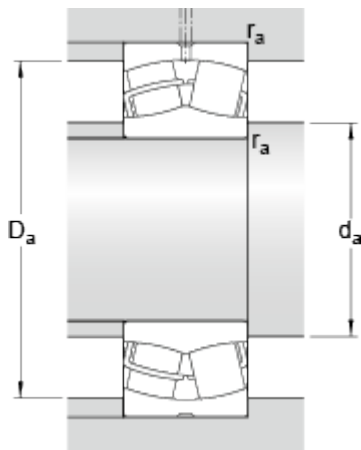
SKF Explorer

Dimensions



d	40	mm
D	90	mm
B	33	mm
d ₂	≈ 49.9	mm
D ₁	≈ 74.3	mm
b	6	mm
K	3	mm
r _{1,2}	min. 1.5	mm

Abutment dimensions



d _a	min. 49	mm
D _a	max. 81	mm
r _a	max. 1.5	mm

Calculation data

Basic dynamic load rating	C	155	kN
Basic static load rating	C ₀	137	kN
Fatigue load limit	P _u	14.6	kN
Reference speed		6000	r/min
Limiting speed		8000	r/min
Calculation factor	e	0.37	
Calculation factor	Y ₁	1.8	

Calculation factor

Y_2

2.7

Calculation factor

Y_0

1.8

Mass

Mass bearing

1.05

kg
