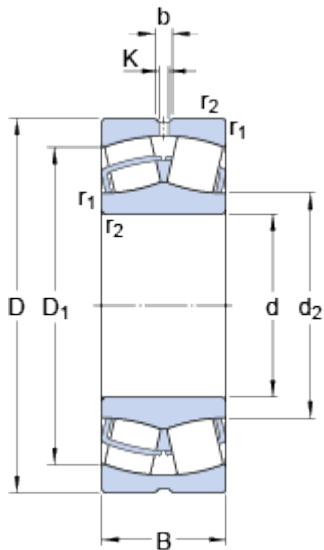


# 22212 E

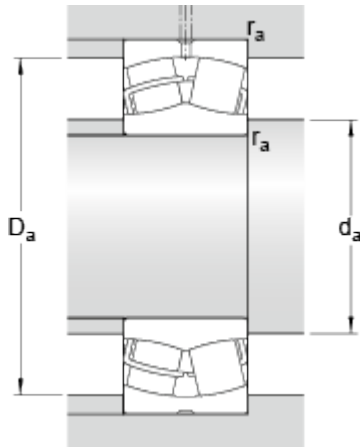
SKF Explorer

## Dimensions



d	<b>60</b>	mm
D	<b>110</b>	mm
B	<b>28</b>	mm
d <sub>2</sub>	≈ <b>72.7</b>	mm
D <sub>1</sub>	≈ <b>96.5</b>	mm
b	<b>6</b>	mm
K	<b>3</b>	mm
r <sub>1,2</sub>	min. <b>1.5</b>	mm

## Abutment dimensions



d <sub>a</sub>	min. <b>69</b>	mm
D <sub>a</sub>	max. <b>101</b>	mm
r <sub>a</sub>	max. <b>1.5</b>	mm

## Calculation data

Basic dynamic load rating	C	<b>159</b>	kN
Basic static load rating	C <sub>0</sub>	<b>163</b>	kN
Fatigue load limit	P <sub>u</sub>	<b>18</b>	kN
Reference speed		<b>5600</b>	r/min
Limiting speed		<b>7500</b>	r/min
Calculation factor	e	<b>0.24</b>	
Calculation factor	Y <sub>1</sub>	<b>2.8</b>	

Calculation factor

$Y_2$

4.2

Calculation factor

$Y_0$

2.8

## Mass

---

Mass bearing

1.15

kg

---