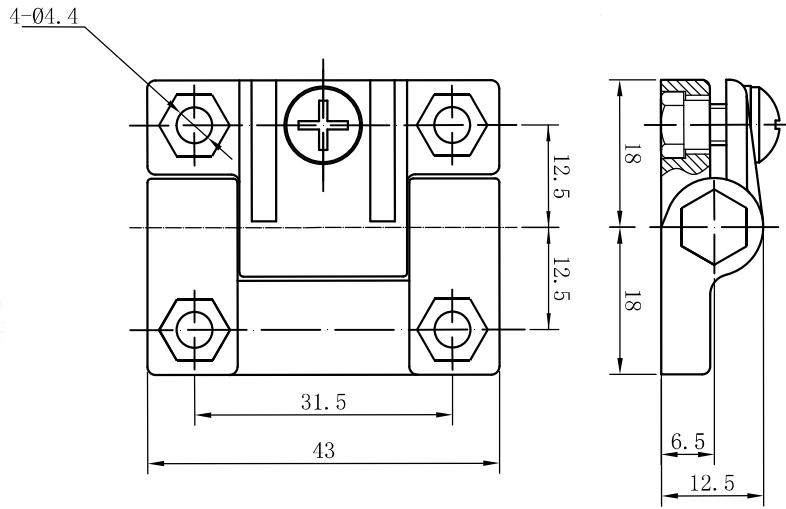
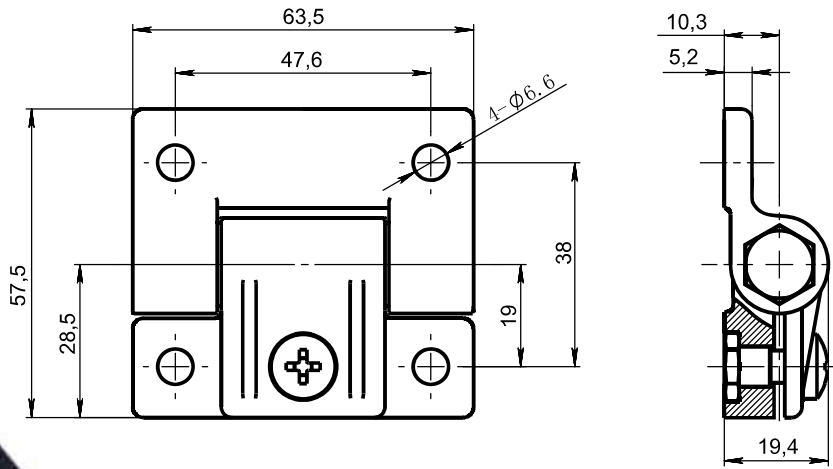


**NEW**

**Screw adjustment**

CATALOGUE NUMBER	FINISH	COMPONENTS	MATERIAL
3.516.002	RAL 9005	Holder, Base	Polyamide
		Pin	Steel zinc plated


**Screw adjustment**

CATALOGUE NUMBER	FINISH	COMPONENTS	MATERIAL
3.516.001	RAL 9005	Holder, Base	Polyamide
		Pin	Steel zinc plated