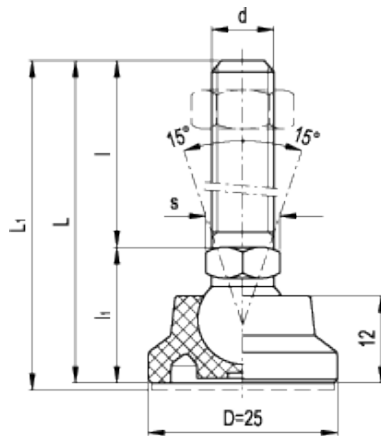


# LS.A

Levelling elements



## technical informations

### Base

Glass-fibre reinforced polyamide based (PA) technopolymer. Resistant to solvents, oils, greases and other chemical agents.

### Colour

Black, matte finish.

### Articulated stem

Threaded zinc-plated steel and regulation hexagon.

### No-slip disk

NBR synthetic rubber, hardness 70 Shore A.

- LS.A: without no-slip disk.
- LS.A-AS: with no-slip disk, supplied assembled.

*Accessories on request*

Zinc-plated steel nut to be ordered separately (see nuts [NT.](#)).

**Features**

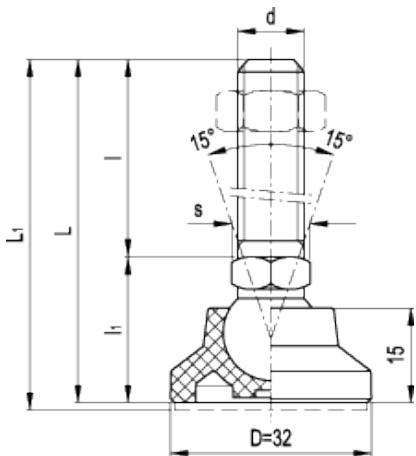
The particular configuration of bases and no-slip disks assures a strong assembly, preventing separation in case of strong impact or adhesion with the floor (see [No-slip disks](#)).

**Order information**

To order bases and stems separately, see the [table of the possible combinations Bases/Stems](#).  
The levelling element is supplied unassembled to make carriage and storage easier; the components are in separate packing: less volume taken and better protection from scratches and dirt.

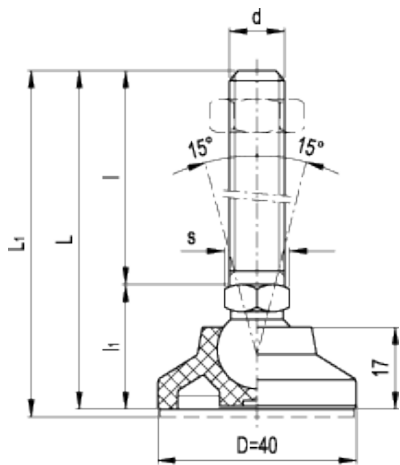
Without no-slip disk		With no-slip disk		Main dimensions				Threaded stem		Articulation	Wrench	Max limit static load*	Weight	
Code	Description	Code	Description	D	L	L <sub>1#</sub>	l <sub>1</sub>	d	l	Ø	s	[N]	g	g
341121	LS.A-25-14-M8x43	346121	LS.A-25-14-AS-M8x43	25	67	70	24	M8	43	14	14	5000	32	3
341125	LS.A-25-14-M8x68	346125	LS.A-25-14-AS-M8x68	25	92	95	24	M8	68	14	14	5000	42	4
341221	LS.A-25-14-M10x43	346221	LS.A-25-14-AS-M10x43	25	67	70	24	M10	43	14	14	5000	42	4
341225	LS.A-25-14-M10x68	346225	LS.A-25-14-AS-M10x68	25	92	95	24	M10	68	14	14	5000	54	5
341231	LS.A-25-14-M10x98	346231	LS.A-25-14-AS-M10x98	25	122	125	24	M10	98	14	14	5000	68	7
341321	LS.A-25-14-M12x43	346321	LS.A-25-14-AS-M12x43	25	67	70	24	M12	43	14	14	5000	52	5
341325	LS.A-25-14-M12x68	346325	LS.A-25-14-AS-M12x68	25	92	95	24	M12	68	14	14	5000	69	7
341331	LS.A-25-14-M12x98	346331	LS.A-25-14-AS-M12x98	25	122	125	24	M12	98	14	14	5000	90	9
341521	LS.A-25-14-M16x68	346521	LS.A-25-14-AS-M16x68	25	92	95	24	M16	68	14	16	5000	113	11
341525	LS.A-25-14-M16x108	346525	LS.A-25-14-AS-M16x108	25	132	135	24	M16	108	14	16	5000	162	16
341541	LS.A-25-14-M16x148	346541	LS.A-25-14-AS-M16x148	25	172	175	24	M16	148	14	16	5000	214	21
341561	LS.A-25-14-M16x168	346561	LS.A-25-14-AS-M16x168	25	192	195	24	M16	168	14	16	5000	240	24

\* "Max limit static load" means the value over which the applied load to the element, in certain conditions of use, may cause plastic material deformation. # Data with no-slip disk mounted.



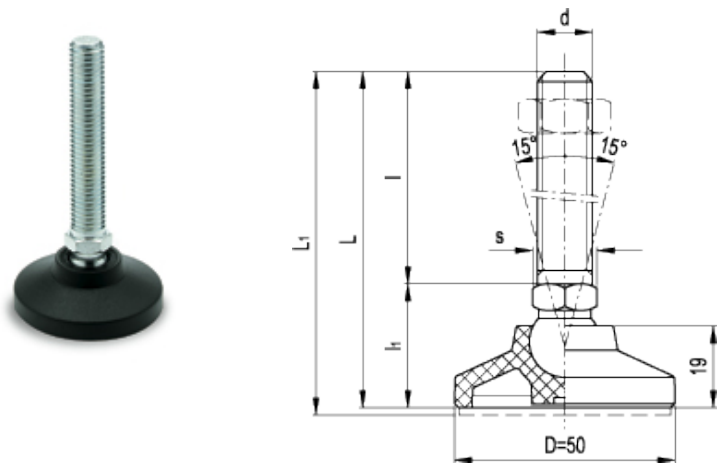
Without no-slip disk		With no-slip disk		Main dimensions				Threaded stem		Articulation	Wrench	Max limit static load*	Weight	
Code	Description	Code	Description	D	L	L <sub>1#</sub>	l <sub>1</sub>	d	l	Ø	s	[N]	g	g
342121	LS.A-32-14-M8x43	347121	LS.A-32-14-AS-M8x43	32	68	71	25	M8	43	14	14	7000	37	4
342125	LS.A-32-14-M8x68	347125	LS.A-32-14-AS-M8x68	32	93	96	25	M8	68	14	14	7000	47	5
342221	LS.A-32-14-M10x43	347221	LS.A-32-14-AS-M10x43	32	68	71	25	M10	43	14	14	7000	47	5
342225	LS.A-32-14-M10x68	347225	LS.A-32-14-AS-M10x68	32	93	96	25	M10	68	14	14	7000	59	6
342231	LS.A-32-14-M10x98	347231	LS.A-32-14-AS-M10x98	32	123	126	25	M10	98	14	14	7000	73	7
342321	LS.A-32-14-M12x43	347321	LS.A-32-14-AS-M12x43	32	68	71	25	M12	43	14	14	7000	57	6
342325	LS.A-32-14-M12x68	347325	LS.A-32-14-AS-M12x68	32	93	96	25	M12	68	14	14	7000	74	7
342331	LS.A-32-14-M12x98	347331	LS.A-32-14-AS-M12x98	32	123	126	25	M12	98	14	14	7000	95	9
342521	LS.A-32-14-M16x68	347521	LS.A-32-14-AS-M16x68	32	93	96	25	M16	68	14	16	7000	118	11
342525	LS.A-32-14-M16x108	347525	LS.A-32-14-AS-M16x108	32	133	136	25	M16	108	14	16	7000	170	17
342541	LS.A-32-14-M16x148	347541	LS.A-32-14-AS-M16x148	32	173	176	25	M16	148	14	16	7000	222	22
342561	LS.A-32-14-M16x168	347561	LS.A-32-14-AS-M16x168	32	193	196	25	M16	168	14	16	7000	248	25

\* "Max limit static load" means the value over which the applied load to the element, in certain conditions of use, may cause plastic material deformation. # Data with no-slip disk mounted.



Without no-slip disk		With no-slip disk		Main dimensions				Threaded stem		Articulation	Wrench	Max limit static load*	Weight	
Code	Description	Code	Description	D	L	L <sub>1#</sub>	l <sub>1</sub>	d	l	Ø	s	[N]	g	g
343121	LS.A-40-14-M8x43	348121	LS.A-40-14-AS-M8x43	40	68	71	25	M8	43	14	14	10000	41	4
343125	LS.A-40-14-M8x68	348125	LS.A-40-14-AS-M8x68	40	93	96	25	M8	68	14	14	10000	51	5
343221	LS.A-40-14-M10x43	348221	LS.A-40-14-AS-M10x43	40	68	71	25	M10	43	14	14	10000	51	5
343225	LS.A-40-14-M10x68	348225	LS.A-40-14-AS-M10x68	40	93	96	25	M10	68	14	14	10000	63	7
343231	LS.A-40-14-M10x98	348231	LS.A-40-14-AS-M10x98	40	123	126	25	M10	98	14	14	10000	77	8
343321	LS.A-40-14-M12x43	348321	LS.A-40-14-AS-M12x43	40	68	71	25	M12	43	14	14	10000	61	6
343325	LS.A-40-14-M12x68	348325	LS.A-40-14-AS-M12x68	40	93	96	25	M12	68	14	14	10000	78	8
343331	LS.A-40-14-M12x98	348331	LS.A-40-14-AS-M12x98	40	123	126	25	M12	98	14	14	10000	99	10
343521	LS.A-40-14-M16x68	348521	LS.A-40-14-AS-M16x68	40	93	96	25	M16	68	14	16	10000	122	11
343525	LS.A-40-14-M16x108	348525	LS.A-40-14-AS-M16x108	40	133	136	25	M16	108	14	16	10000	174	15
343541	LS.A-40-14-M16x148	348541	LS.A-40-14-AS-M16x148	40	173	176	25	M16	148	14	16	10000	226	20
343561	LS.A-40-14-M16x168	348561	LS.A-40-14-AS-M16x168	40	193	196	25	M16	168	14	16	10000	252	23

\* "Max limit static load" means the value over which the applied load to the element, in certain conditions of use, may cause plastic material deformation. # Data with no-slip disk mounted.



Without no-slip disk		With no-slip disk		Main dimensions				Threaded stem		Articulation	Wrench	Max limit static load*	Weight	
Code	Description	Code	Description	D	L	L <sub>1#</sub>	l <sub>1</sub>	d	l	Ø	s	[N]	g	g
344121	LS.A-50-14-M8x43	349121	LS.A-50-14-AS-M8x43	50	70	73	27	M8	43	14	14	10000	48	6
344125	LS.A-50-14-M8x68	349125	LS.A-50-14-AS-M8x68	50	95	98	27	M8	68	14	14	10000	58	7
344221	LS.A-50-14-M10x43	349221	LS.A-50-14-AS-M10x43	50	70	73	27	M10	43	14	14	10000	58	7
344225	LS.A-50-14-M10x68	349225	LS.A-50-14-AS-M10x68	50	95	98	27	M10	68	14	14	10000	70	8
344231	LS.A-50-14-M10x98	349231	LS.A-50-14-AS-M10x98	50	125	128	27	M10	98	14	14	10000	84	9
344321	LS.A-50-14-M12x43	349321	LS.A-50-14-AS-M12x43	50	70	73	27	M12	43	14	14	10000	68	8
344325	LS.A-50-14-M12x68	349325	LS.A-50-14-AS-M12x68	50	95	98	27	M12	68	14	14	10000	85	9
344331	LS.A-50-14-M12x98	349331	LS.A-50-14-AS-M12x98	50	125	128	27	M12	98	14	14	10000	106	11
344521	LS.A-50-14-M16x68	349521	LS.A-50-14-AS-M16x68	50	95	98	27	M16	68	14	16	10000	129	14
344525	LS.A-50-14-M16x108	349525	LS.A-50-14-AS-M16x108	50	135	138	27	M16	108	14	16	10000	181	19
344541	LS.A-50-14-M16x148	349541	LS.A-50-14-AS-M16x148	50	175	178	27	M16	148	14	16	10000	233	24
344561	LS.A-50-14-M16x168	349561	LS.A-50-14-AS-M16x168	50	195	198	27	M16	168	14	16	10000	259	27

\* "Max limit static load" means the value over which the applied load to the element, in certain conditions of use, may cause plastic material deformation. # Data with no-slip disk mounted.



ELESA and GANTER models all rights reserved in accordance with the law. Always mention the source when reproducing our drawings.

STANDARD MACHINE ELEMENTS WORLDWIDE