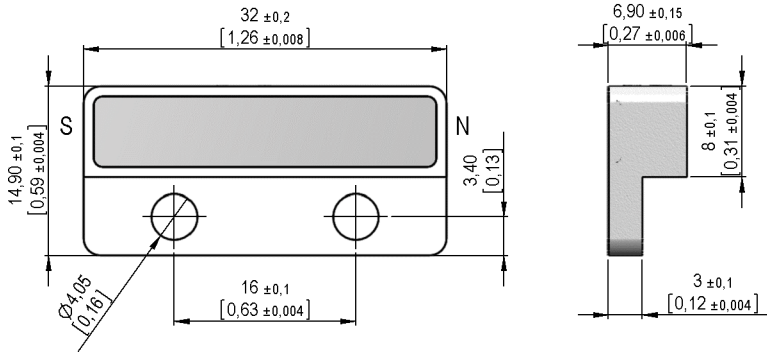
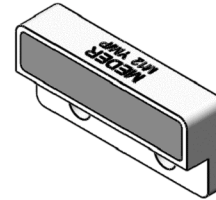


Dimensions mm[inch]
 tolerances acc. to DIN ISO 2768-m
 Toleranzen gem. DIN ISO 2768-m



Isometric
 Scale 1:1
 Maßstab 1:1



Marking
 according to EN60062/factory code
 gem. EN60062/Fertigungsstätte



Special Product Data	Conditions	Min	Typ	Max	Unit
Sealing compound				Polyurethan	
Housing material				PBT glass fibre reinforced	
Case color				white	

Environmental data	Conditions	Min	Typ	Max	Unit
Operating temperature		-20		80	°C

Mag. values DIN IEC 60404-8-	Conditions	Min	Typ	Max	Unit
Energy product (B x H) max.		35	39,8		kJ/cu m
Remanence Br		1.120	1.240		mT
Revers. temp. coeff. of Br			-0,02		%/K
Magnetic moment	measured with MS150	34,4	38		E-6 Vs*cm

General data	Conditions	Min	Typ	Max	Unit
Housing Style/Form				MK12	