

## Breather filters

Brass

### SPECIFICATION

#### Types

- Type **A**: low design
- Type **B**: high design, with Stainless Steel cap

Valve body

Brass **MS**

Air filter

- Stainless Steel-Wire mesh AISI 304
- Filter category G2-G3
- Mean separation rate ( $A_m$  approx. 65 - 80 %, based on a particle size  $> 10 \mu m$ )

Sealing DIN 7603 A

Soft iron 1.0338

(at  $d_1 = M10 \times 1$ : PA6)

Breather (Type B)

Stainless Steel AISI 304

temperature resistant from  $-30^\circ C$  to  $+100^\circ C$

### INFORMATION

The breather filters GN 884 are used when the air exchange is to be allowed between the inside of the container and the ambient air.

The stainless steel wire mesh prevents air-borne particles of a certain size from being carried into the inside of the container and simultaneously ensures that e.g. oil particles do not escape to the outside.

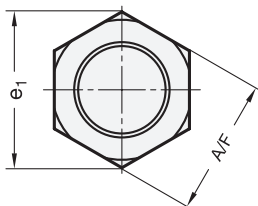
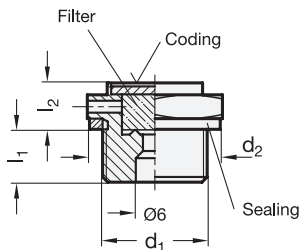
A label with the symbol "BE" (type A) or a blue coloured ring (type B) marks the filter function. The recommended installation position is vertical to the top.

### ON REQUEST

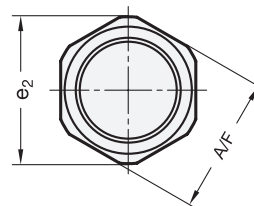
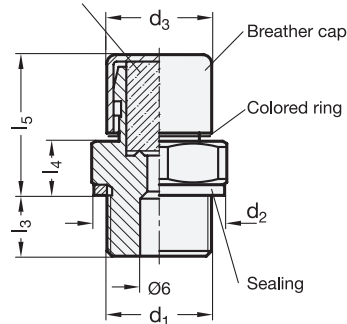
- other materials
- other dimensions



Type A



Type B





**GN 884**

Description	d1	d2	d3	e1	e2	l1	l2	l3	l4	l5	A/F	Ca. air passage l/min.	
GN 884-G1/8-A-MS	G 1/8	13.5	-	16	-	6	6	-	-	-	14	24	8
GN 884-M10x1-A-MS	M 10 x 1	14.5	-	16	-	6	6	-	-	-	14	24	7
GN 884-M12x1,5-A-MS	M 12 x 1.5	18	-	19.5	-	6.5	6	-	-	-	17	24	13
GN 884-M14x1,5-A-MS	M 14 x 1.5	20	-	19.5	-	6.5	6	-	-	-	17	24	15
GN 884-G1/4-A-MS	G 1/4	20	-	19.5	-	6.5	6	-	-	-	17	24	14
GN 884-M16x1,5-A-MS	M 16 x 1.5	22	-	25	-	9	11	-	-	-	22	24	33
GN 884-M18x1,5-A-MS	M 18 x 1.5	24	-	25	-	9	11	-	-	-	22	24	37
GN 884-M22x1,5-A-MS	M 22 x 1.5	27	-	31	-	9	11	-	-	-	27	24	55
GN 884-G3/8-A-MS	G 3/8	23	-	25	-	9	11	-	-	-	22	24	36
GN 884-G1/2-A-MS	G 1/2	26	-	31	-	8.5	11	-	-	-	27	24	53
GN 884-G3/4-A-MS	G 3/4	32	-	37	-	8.5	11	-	-	-	32	24	80
GN 884-G1/8-B-MS	G 1/8	13.5	12.5	16	18.5	6	6	8	7	16	17	46	18
GN 884-M10x1-B-MS	M 10 x 1	14.5	12.5	16	18.5	6	6	8	7	16	17	46	18
GN 884-M12x1,5-B-MS	M 12 x 1.5	18	12.5	19.5	18.5	6.5	6	7.5	7.5	16.5	17	46	21
GN 884-M14x1,5-B-MS	M 14 x 1.5	20	12.5	19.5	18.5	6.5	6	7.5	7.5	16.5	17	46	24
GN 884-G1/4-B-MS	G 1/4	20	12.5	19.5	18.5	6.5	6	7.5	7.5	16.5	17	46	23
GN 884-M16x1,5-B-MS	M 16 x 1.5	22	12.5	25	24	9	11	7.5	7.5	16.5	22	46	34
GN 884-M18x1,5-B-MS	M 18 x 1.5	24	12.5	25	24	9	11	7.5	7.5	16.5	22	46	38
GN 884-M22x1,5-B-MS	M 22 x 1.5	27	12.5	31	29	9	11	7.5	7.5	16.5	27	46	55
GN 884-G3/8-B-MS	G 3/8	23	12.5	25	24	9	11	7.5	7.5	16.5	22	46	36
GN 884-G1/2-B-MS	G 1/2	26	12.5	31	29	8.5	11	8	8	17	27	46	52
GN 884-G3/4-B-MS	G 3/4	32	12.5	37	35	8.5	11	8	8	17	32	46	80

Accessories for hydraulic systems **15**