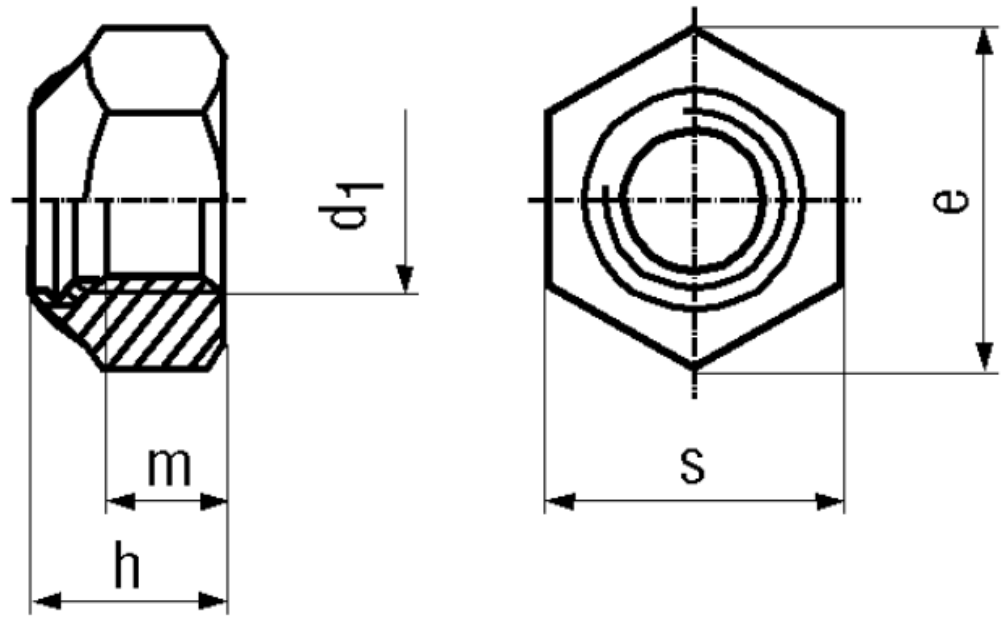


BN 637

Prevailing torque type hexagon lock nuts
low type, with polyamide insert

DIN 985
~UNI 7474



Material	Stainless steel	Quality	A2
----------	------------------------	---------	-----------

Article No. - 1242415

d_1	M8
e min.	14,38
h max.	8
m	5,5
s	13

DIN 985: Standard withdrawn

M2,5: Not included in DIN 985.

Wrench size according to ISO on request.