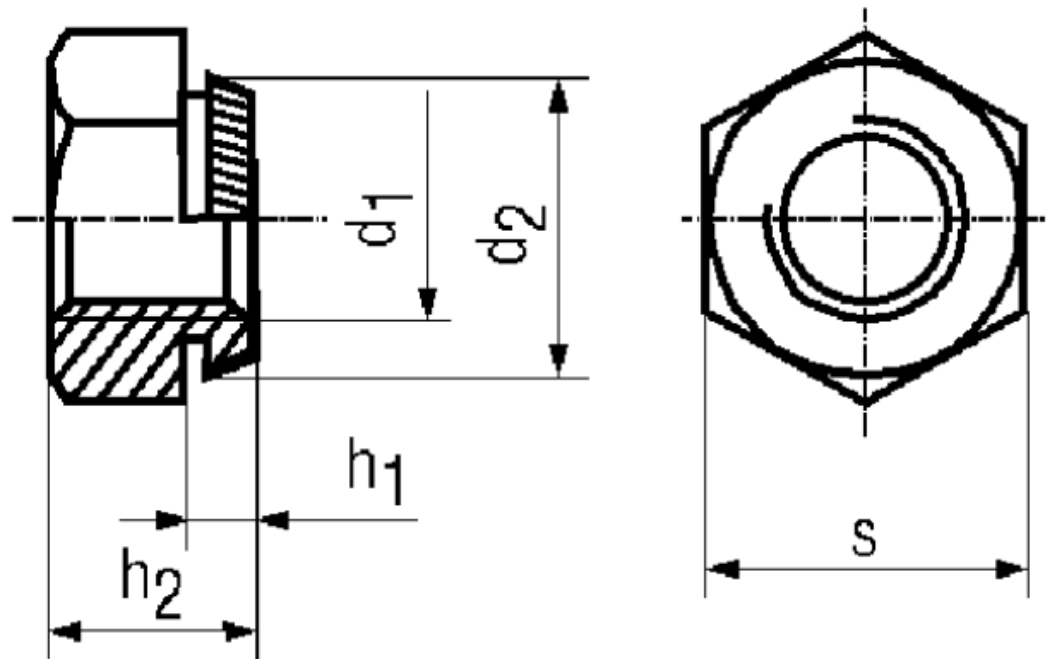


BN 202

Hexagon self clinching nuts
case hardened



Material **Steel** Surface **zinc plated yellow**

Article No. - 1145886	
d ₁	M8
h ₁	1,8
Hole size	10
d ₂	10,35
Sheet thicknes min.	2
h ₂	6,5
s	13
Distance to edge	9,5

Note: Collar height, dimension h₁, available for thicker plates on request.

Fasteners property class >= 320 HV zinc plated: susceptible to hydrogen embrittlement!