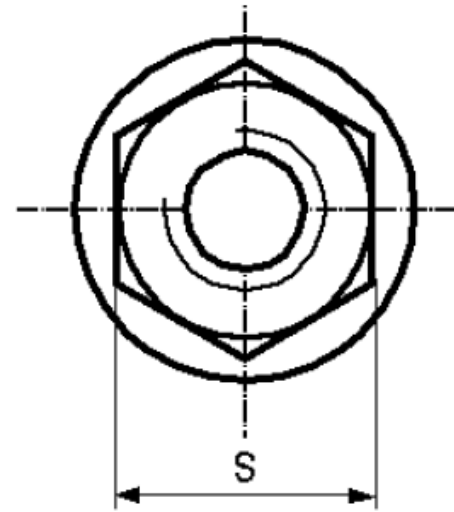
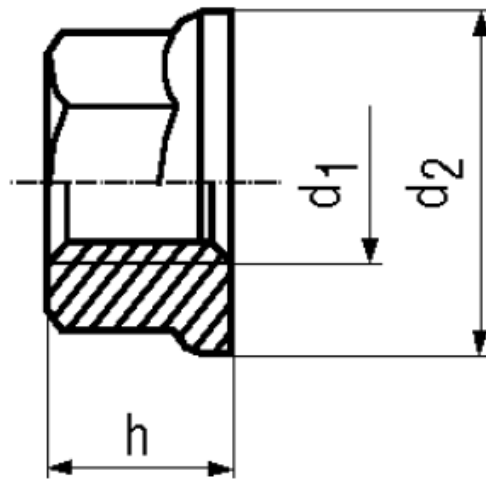


## BN 1973 - DIN 6923 - ISO 4161

Hexagon flange nuts

DIN 6923  
ISO 4161



Material	Steel	Quality	cl. 8
Surface	zinc plated yellow		

Article No. - 1398938	
d <sub>1</sub>	M8
d <sub>2</sub> max.	17,9
h max.	8
s	13

DIN 6923: Standard withdrawn