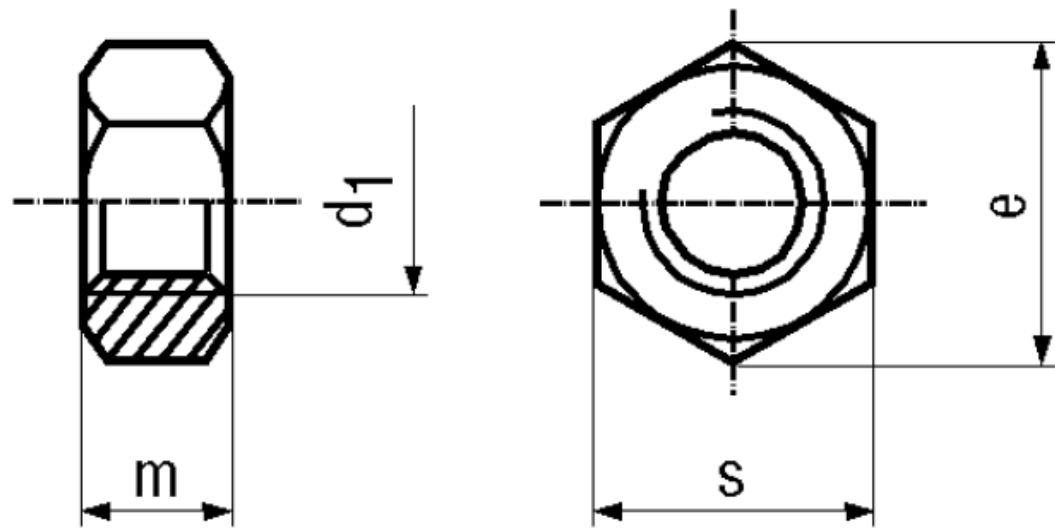


BN 117 - DIN 934 - ~ISO 4032

Hexagon nuts ~0,8d

DIN 934
~ISO 4032
~UNI 5588



Material	Steel	Quality	cl. 8
Surface	zinc plated blue		

Article No. - 1874772

d_1	M8
e min.	14,38
s	13
m max.	6,5

DIN 934: Standard withdrawn

M10, M12, M14, M22: Wrench size according to ISO 272.