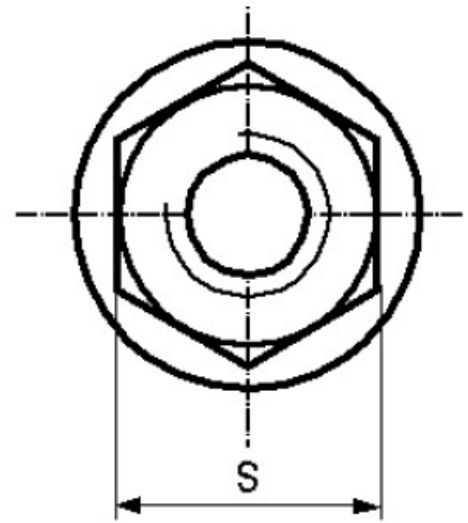
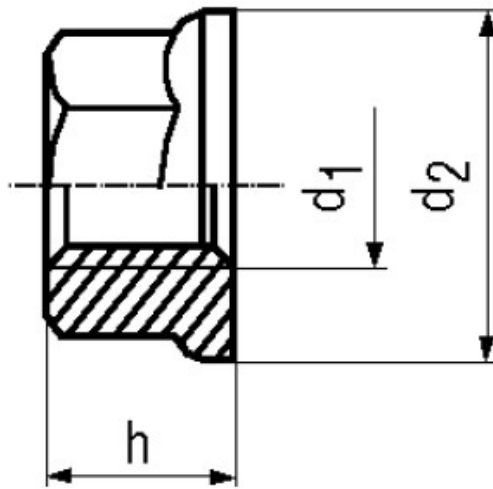


BN 41187 - DIN 6923 - ~ISO 4161

Hexagon flange nuts

DIN 6923
~ISO 4161



Material	Steel	Quality	cl. 8
Surface	zinc plated blue		

Article No. - 3092376

d_1	M6
d_2 max.	14,2
h max.	6
s	10