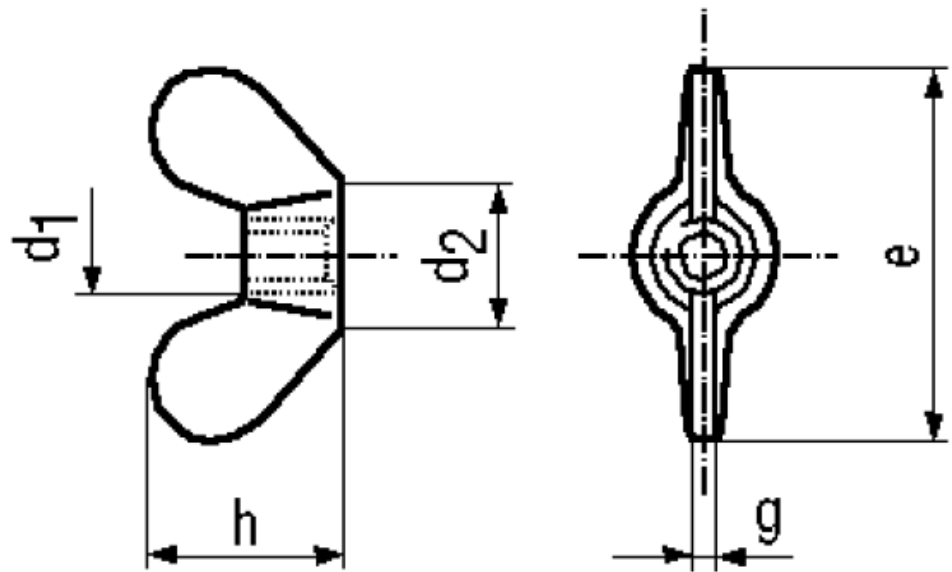


## BN 208 - DIN 315

Wing nuts

DIN 315  
~UNI 5448 B



Material

Malleable cast  
iron / Steel

Surface

zinc plated blue

### Article No. - 1099183

$d_1$	M6
$d_2$ max.	13
e max.	33
g max.	2,3
h max.	17

Material at manufacturer's option.