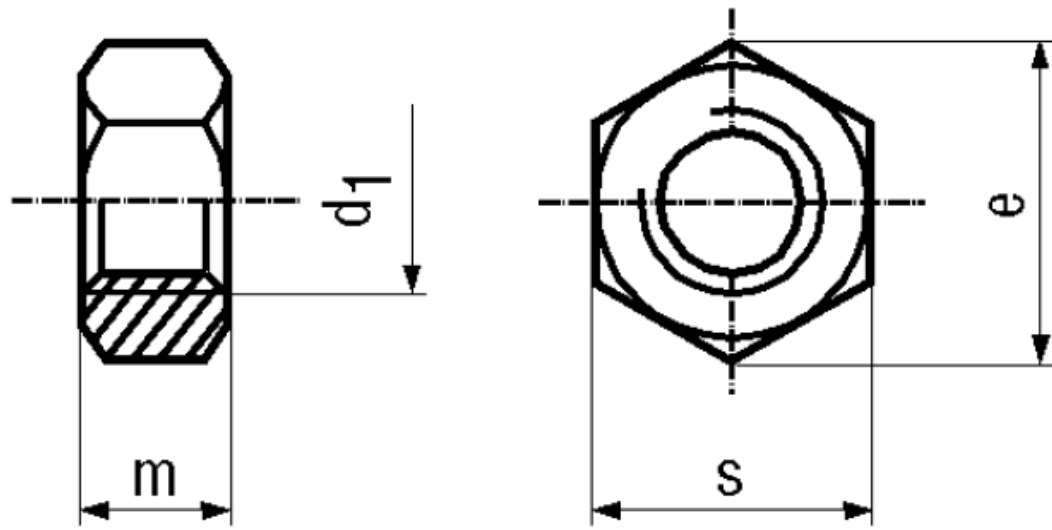


BN 139 - DIN 934 - ~ISO 4032

Hexagon nuts ~0,8d
left hand thread

DIN 934
~ISO 4032
~UNI 5588



Material	Steel	Quality	cl. 8
Surface	zinc plated blue		

Article No. - 1092308

d_1	M5L
e min.	8,79
s	8
m max.	4

DIN 934: Standard withdrawn

M10; M12; M14; M22: New WAFs according to ISO 272