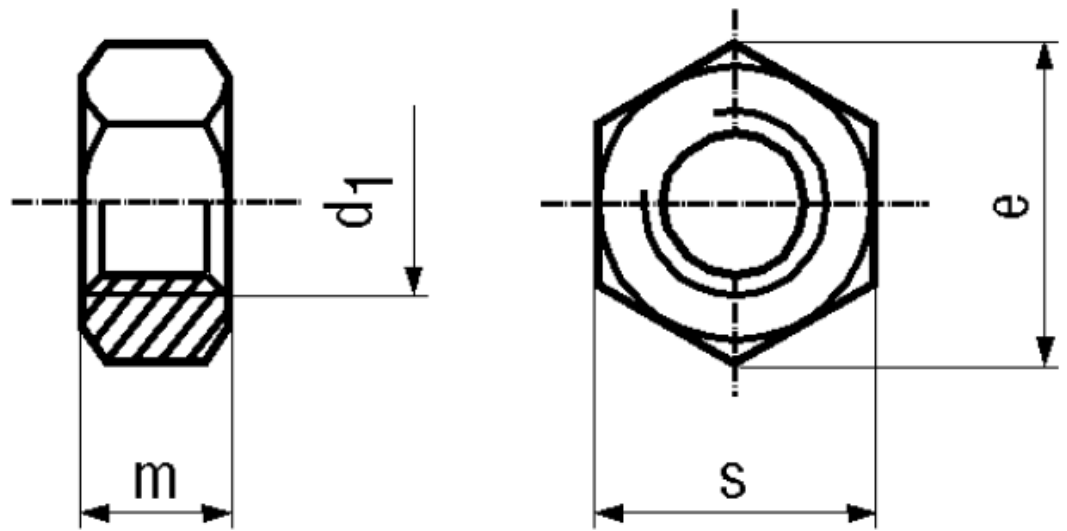


BN 504 - DIN 934 - ~ISO 4032

Hexagon nuts ~0,8d

DIN 934
~ISO 4032
~UNI 5588



Material Brass Surface plain

Article No. - 1195131

d_1	M4
e min.	7,66
s	7
m max.	3,2

DIN 934: Standard withdrawn
Wrench size according to ISO on request.