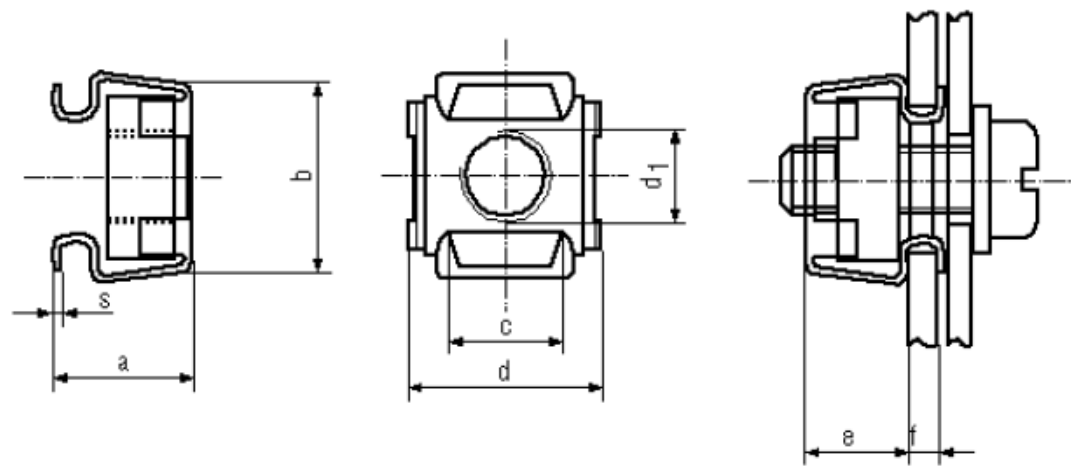


BN 3307

Cage nuts



Material	Steel (cage stainless steel)	Surface	zinc plated blue (nut)
----------	---------------------------------	---------	---------------------------

Article No. - 1538225

Article No. - 1538225	
d ₁	M4
f	0,3-1,1
a	8,5
b	11,4
c	7,2
d	12
s	0,45
e	6
g	8,3