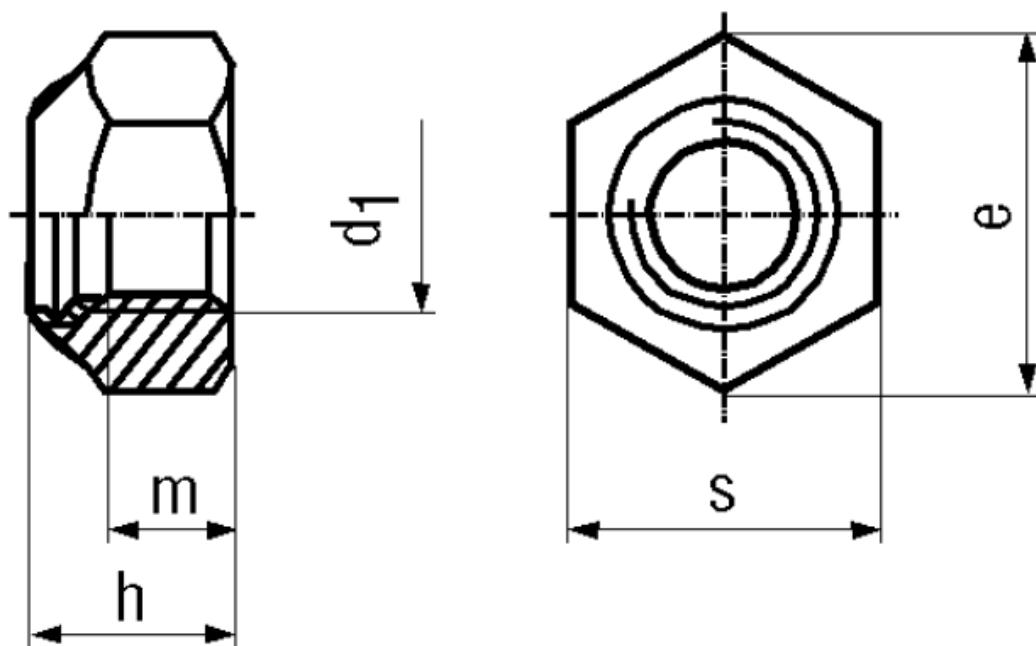


## BN 161 - DIN 985 - ~ISO 10511

Prevailing torque type hexagon lock nuts  
low type, with polyamide insert

DIN 985  
~ISO 10511  
~UNI 7474



Material	Steel	Quality	Cl. 6
Surface	zinc plated blue		

Article No. - 1094882	
d <sub>1</sub>	M2,5
e min.	5,51
h max.	3,8
m	2
s	5

DIN 985: Standard withdrawn  
Property class: At manufacturer's option.