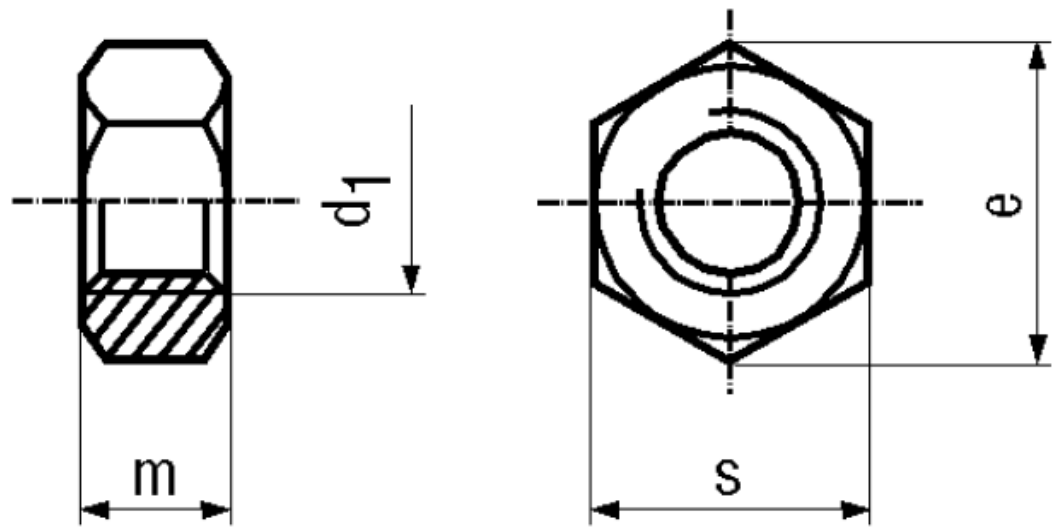


BN 628 - DIN 934 - ~ISO 4032

Hexagon nuts ~0,8d

DIN 934
~ISO 4032
~UNI 5588



Material	Stainless steel	Quality	A2
----------	------------------------	---------	-----------

Article No. - 1241389

d_1	M1,6
e min.	3,41
s	3,2
m max.	1,3

DIN 934: Standard withdrawn

Hexagon nuts type 1 ISO 4032: BN 5713 / BN 2586