

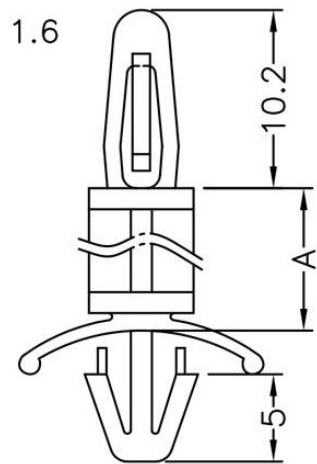
FIX-LCS



MATERIAL: NYLON 66(UL)
 FLAME CLASS: 94V-2
 COLOR: NATURAL
 UNIT: mm

PART NO.	A	PACKAGE
FIX-LCS-3.5	3,5	1000
FIX-LCS-4.8	4,8	
FIX-LCS-6	6	
FIX-LCS-7.9	7,9	
FIX-LCS-9.5	9,5	
FIX-LCS-11.1	11,1	
FIX-LCS-12.7	12,7	
FIX-LCS-15.9	15,9	
FIX-LCS-19.1	19,1	
FIX-LCS-22.2	22,2	
FIX-LCS-24	24	
FIX-LCS-25.4	25,4	
FIX-LCS-27.5	27,5	
FIX-LCS-28.6	28,6	
FIX-LCS-31.7	31,7	
FIX-LCS-34,9	34,9	

P.C.B ϕ 4.0
 THICKNESS 1.6



P.C.B ϕ 4.8
 THICKNESS 0.8~2.0

