



Klippon® K – Aluminium enclosure

Product Information

Klippon® K – Aluminium enclosure

Klippon® K – Introduction	4
Klippon® K – Product features	5
Klippon® K – Technical overview	10
Klippon® K – Aluminium enclosures	12
Klippon® K – Standardised distributor enclosures	32
Klippon® K – Applications	34
Klippon® K – Services	36
Online Support	37

Klippon® K – Aluminium enclosure

For many years, the name Klippon® has been a synonym for competence and quality in enclosures with regard to custom-designed, ready-for-connection customer solutions for industrial standard and for hazardous area applications.

Weidmüller has consolidated this philosophy by modernising and updating the Klippon® K enclosure range: improved products for all application requirements.

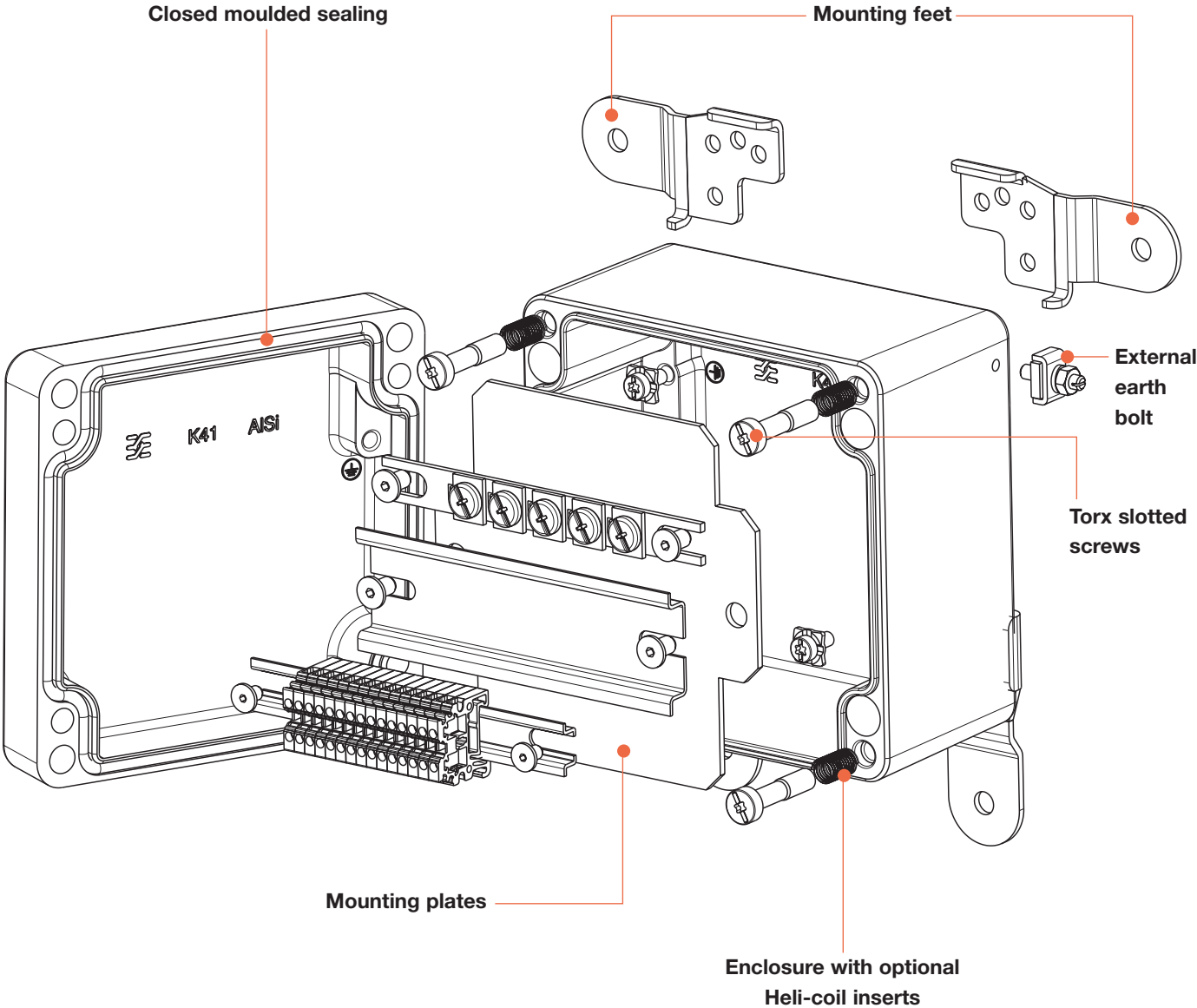
Irrespective of the application you are planning, we can supply you with a variety of aluminium enclosures designed to meet your requirements exactly.

Our extensive product range provides you with the following advantages:

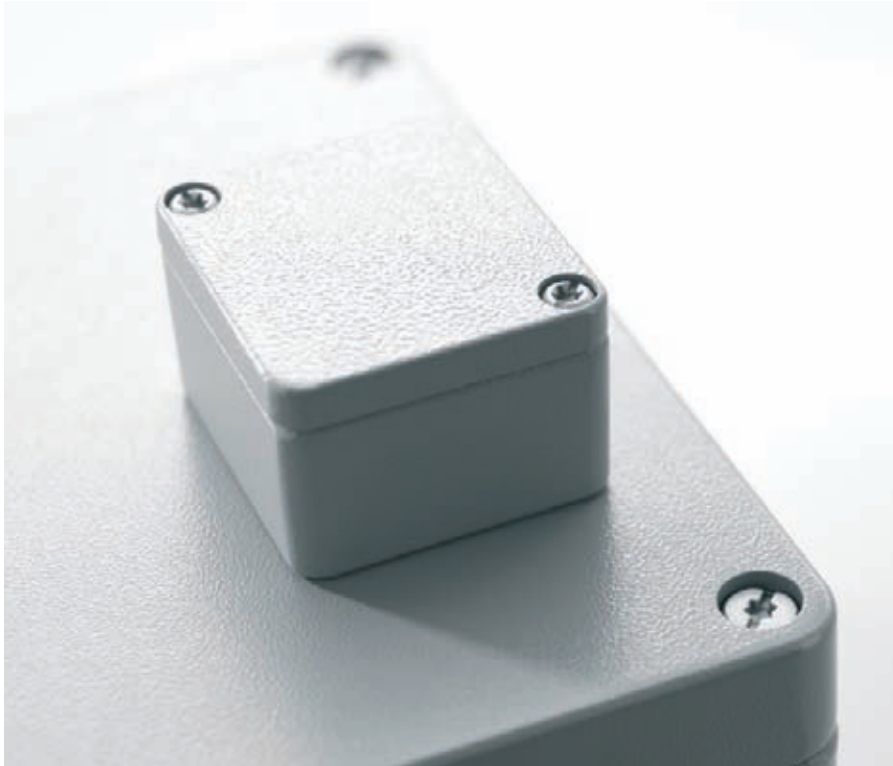
- 19 standard enclosure
- Available in 2 surfaces: natural or powder-coated finish (RAL 7001)
- With silicone and chloroprene moulded sealing
- Standardised Torx slotted screw head.
- Fixing holes outside the sealing area
- High ingress protection classes of IP66, IP67 and IP68
- Impact resistance up to 10 Joules
- Apart from the empty enclosure standard, the enclosures comply with a large number of other certifications: ATEX, GOST, GOST Ex, cULus, Russian Maritime Register, German Lloyd
- Salt water-resistant alloy
- Standardised distributor enclosures with threaded holes and various terminal configurations



Product features at a glance



Torx slotted screws



The lids are secured with captive Torx slotted screws made of stainless steel. The standardised Torx slotted screw head permits operation of the enclosure by using only one tool.



For assembly, we recommend the use of our Torx TH20 screwdriver (9009160000). The lid screws are tightened to a torque of 2.5 Nm.



Depending on the size of the enclosure, the Torx slotted screws are available in sizes M4 to M6 and with a standard T20 Torx screw head.



Torx slotted screws are also used as a PE earth connection in the enclosure body for optional earthing of the enclosure. Additional earthing can be fitted through threaded holes in the enclosure lid.

Closed moulded sealing

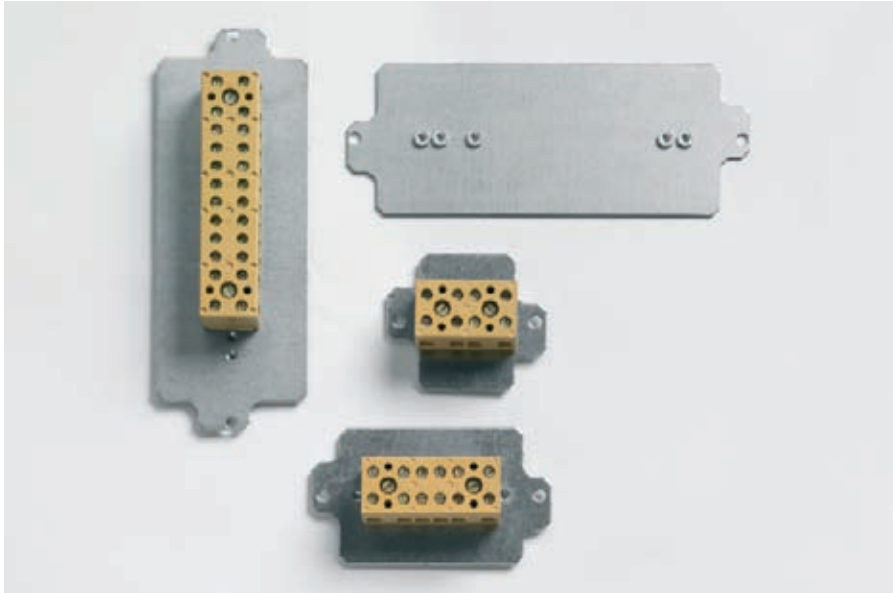


The enclosures are equipped as standard with a moulded sealing made from either silicone or chloroprene and adapted to the contour of the enclosure.



Securely filled seals ensure increased impermeability of each enclosure. The sealing guarantees IP protection from IP66 up to IP68.

Mounting plates



Specially angled mounting plates are available for more flexible assembly of the Klippon® K 3.



Mounting plates for the installation of terminal rails or block terminals are available as option.

Mounting lugs



The fixing positions are outside the sealing area so that additional sealing is not necessary. The fixing dimensions are engraved on the rear side of the enclosure.



The enclosure can be fastened directly via the pre-punched fixing holes provided on the rear side of the enclosure. Alternatively, it is possible to secure the enclosure from the outside by means of mounting lugs that are available as accessories.

External earth bolt



Klippon® K Ex enclosures are designed for hazardous area applications equipped as standard with an M4 earth bolt made of stainless steel.

Enclosure with Heli-coil inserts



Enclosures are also available on request with Heli-coils already inserted in the thread. They can be used in aggressive environments to protect against corrosion.

Technical overview

The Klippon® K aluminium enclosures are designed for flexible use in a very wide range of applications. Their range of functions has been tried and tested on the market for many years. The Klippon® K range can even meet the stringent requirements of hazardous area applications and has the necessary international approvals.



Technical data

	Ex	Standard
Enclosure material	High-quality aluminium alloy (Al-Si12)	High-quality aluminium alloy (Al-Si12)
Surface, untreated	Smooth	Smooth
Surface, painted		Silver-grey textured, similar to RAL 7001
Paint		40 µm paint strength
IP protection class	IP 66, IP 67	IP 66, IP 67 and IP 68*
Earthing, external	Earth bolt M4, stainless steel	
Installation fastening	Flexible terminal rail assembly	Flexible terminal rail assembly
Enclosure fastening	Optional direct fastening with assembly feet (as of a size of 120 x 122 x 81 Klippon® K 41)	Optional direct fastening with assembly feet (as of a size of 120 x 122 x 81 Klippon® K 41)
Cover fastening	Captive Torx 20/slotted screws made of stainless steel	Captive Torx 20/slotted screws made of stainless steel
Impact resistance	7J	10J
Sealing material	Silicone (VMQ)	Chloroprene/silicone (VMQ)
Temperature range	-50 °C to +135 °C	-40 °C to +80 °C with chloroprene seal / -50 °C to +135 °C with silicone seal
Torque for cover screws**	2.5 Nm	2.5 Nm

Note

* (t=72h; h=1m); ** For screw fitting of the lids, we recommend the use of our Torx TH20 screwdriver (9009160000) Depending on the screw head size, our slotted screwdrivers can also be used as an alternative.

Certification for empty enclosure

	Ex	Standard
ATEX certificate	KEMA 02ATEX2088 U	
ATEX marking	II 2 G Ex e II IP66/IP67	
GOST Ex	POCC DE.ME92.B02036	
GOST		POCC DE.ME25.B01450
cULus		E 197061
Russian Maritime Register	11040200	11040200
German Lloyd	4453607 HH	4453607 HH
Assembly	The enclosure series Klippon® K can be equipped by our custom-designed production for customer requirements, for example, to permit installation of terminals or other approved components.	

Note

This enclosure series is component-certified. If other electrical components are installed in the enclosure, additional certification is required.

Certification for control system and distributor housing

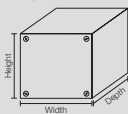
	Ex
ATEX certificate	KEMA 00ATEX8501 X
ATEX marking	II 2 GD Ex e II T6/T3 IP66/IP67 II 1 GD Ex ia IIC T6/T3 II 2 (1) GD Ex e[ia] IIC T6/T3 T140 °C IP66/IP67

Note

If you have special requirements for operating materials in potentially explosive areas, please contact Weidmüller to obtain a copy of the complete certificate.



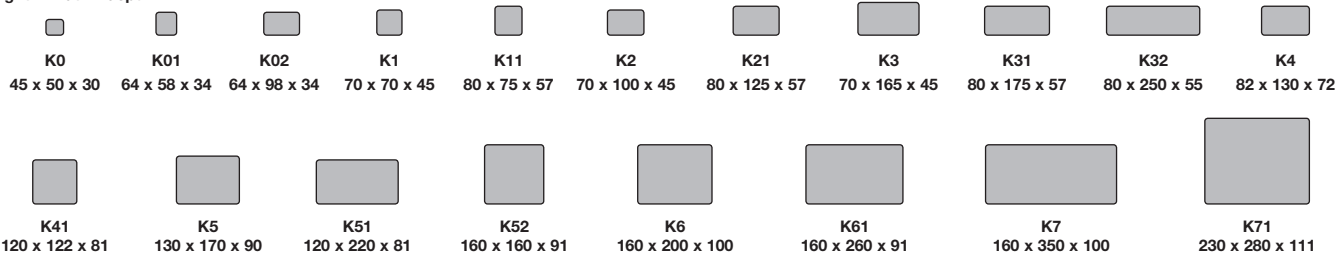
Ordering data – enclosure overview

Description	Height x width x depth in mm 	Standard			Ex enclosure
		Powder-coated (RAL7001)		Unpainted	Unpainted
		CR moulded seal	Silicone moulded seal*	CR moulded seal	Silicone moulded seal
Klippon® K 0	45 x 50 x 30	9529090000	1937920000	0573200000	9526810000
Klippon® K 01	64 x 58 x 34	9529100000	1937850000	1565240000	9526820000
Klippon® K 02	64 x 98 x 34	9529110000	1937840000	1565250000	9526830000
Klippon® K 1	70 x 70 x 45	9529120000	1937630000	0342000000	9526840000
Klippon® K 11	802 x 75 x 57	9529130000	1937910000	0573300000	9526850000
Klippon® K 2	70 x 100 x 45	9529140000	1937930000	0342100000	9526860000
Klippon® K 21	80 x 125 x 57	9529150000	1937830000	0573400000	9526870000
Klippon® K 3	70 x 165 x 45	9529160000	1937900000	0342200000	9526880000
Klippon® K 31	80 x 175 x 57	9529170000	1937820000	0573500000	9526890000
Klippon® K 32	80 x 250 x 55	9529180000	1937810000	1565260000	9526900000
Klippon® K 4	82 x 130 x 72	9529190000	1937890000	0342300000	9526910000
Klippon® K 41	120 x 122 x 81	9529200000	1937800000	1565270000	9526920000
Klippon® K 5	130 x 170 x 90	9529210000	1937860000	0342400000	9526930000
Klippon® K 51	120 x 220 x 81	9529220000	1937750000	1565280000	9526940000
Klippon® K 52	160 x 160 x 91	9529230000	1937740000	1565290000	9526950000
Klippon® K 6	160 x 200 x 100	9529240000	1937870000	0342500000	9526960000
Klippon® K 61	160 x 260 x 91	9529250000	1937730000	0573600000	9526970000
Klippon® K 7	160 x 350 x 100	9529260000	1937880000	0342600000	9526980000
Klippon® K 71	230 x 280 x 111	9529270000	1937720000	0573700000	9526990000

Note
*Delivery time on request

Klippon® K – Enclosure sizes

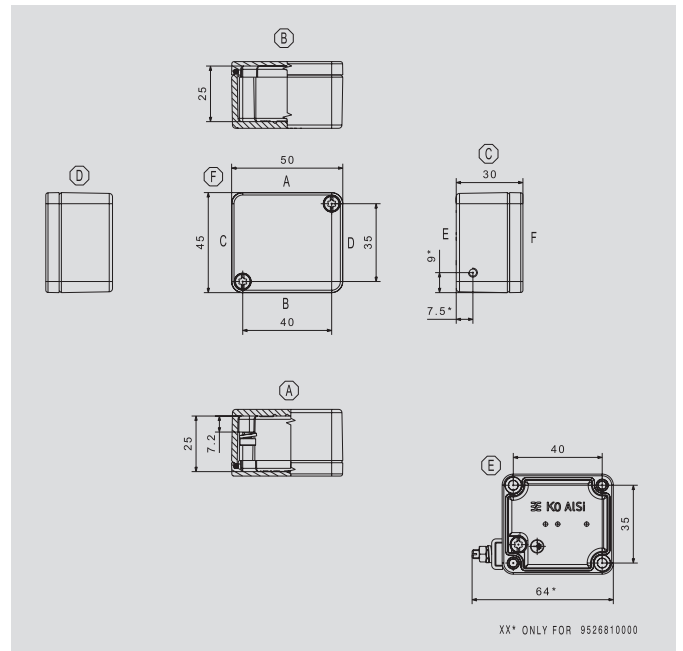
Height x width x depth



Klippon® K 0

Depth 30 mm

Diecast aluminium enclosure



Height/Width/Depth	45 / 50 / 30 mm
Weight	65 g

Ordering data

Powder-coated (RAL 7001)	Order No.
Standard (CR seal)	9529090000
Standard (silicone seal)**	1937920000
Unpainted	Order No.
Standard (CR seal)	0573200000
Ex enclosure (silicone seal)	9526810000
Note	**Delivery time on request

Accessories

Torx screwdriver	Order No.
Uninsulated Torx TH20	9009160000



Assembly with terminal	Vertical	Horizontal
	2,5 mm ²	*
	4 mm ²	
	6 mm ²	
	10 mm ²	
	16 mm ²	

Note * Please use BK terminals for these enclosures. Also refer to our terminals catalogue.

Number of cable entries

Number of cable entries	A / B	C / D
	1	1
	1	1

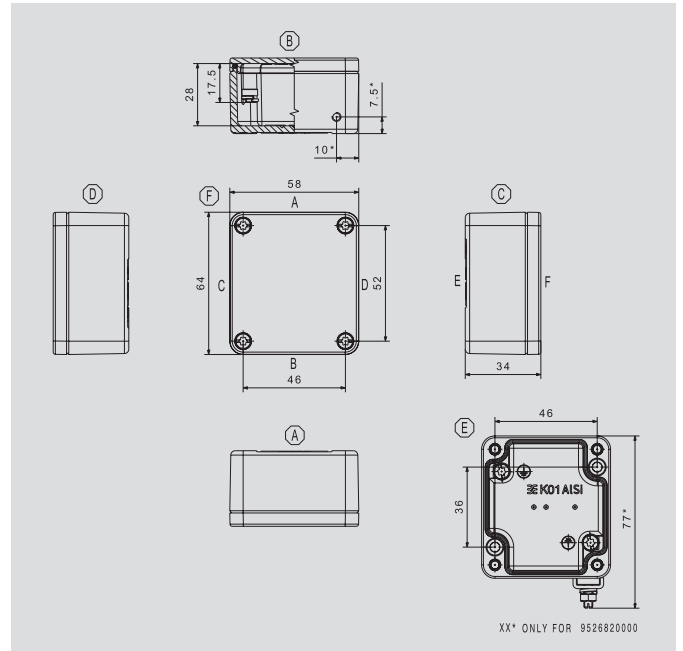
Note ** Our IP68 brass cable glands are used as the reference for these guideline values.

Note

Klippon® K 01

Depth 34 mm

Diecast aluminium enclosure



Height/Width/Depth	64 / 58 / 34 mm
Weight	120 g



Ordering data

Powder-coated (RAL 7001)	Order No.
Standard (CR seal)	9529100000
Standard (silicone seal)**	1937850000
Unpainted	Order No.
Standard (CR seal)	1565240000
Ex enclosure (silicone seal)	9526820000
Note	**Delivery time on request

Accessories

Torx screwdriver	Order No.
Uninsulated Torx TH20	9009160000



Assembly with terminal	Vertical	Horizontal
	2,5 mm ²	*
	4 mm ²	
	6 mm ²	
	10 mm ²	
	16 mm ²	

Note * Please use BK terminals for these enclosures. Also refer to our terminals catalogue.

Number of cable entries

Number of cable entries	A / B	C / D
M12	1	1
M16	1	1
M20		
M25		
M32		
M40		
M50		
M63		

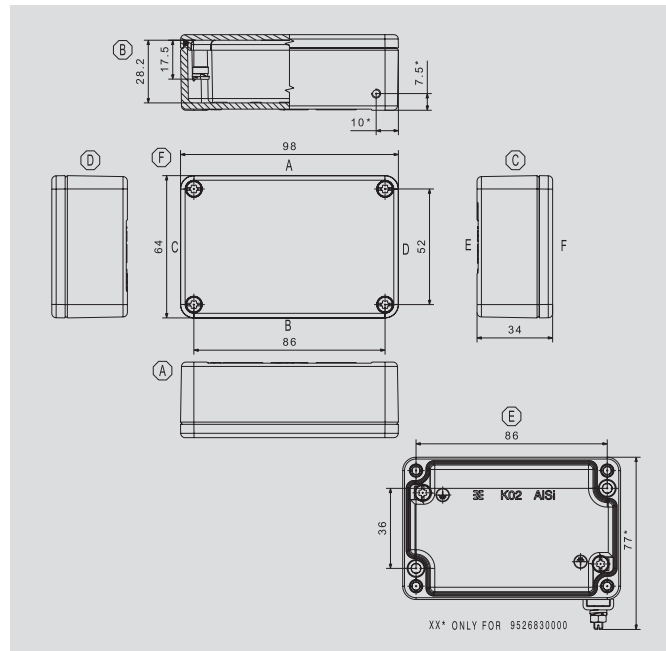
Note ** Our IP68 brass cable glands are used as the reference for these guideline values.

Note

Klippon® K 02

Depth 34 mm

Diecast aluminium enclosure



Height/Width/Depth	64 / 98 / 34 mm
Weight	200 g



Ordering data

Powder-coated (RAL 7001)	Order No.
Standard (CR seal)	9529110000
Standard (silicone seal)**	1937840000
Unpainted	Order No.
Standard (CR seal)	1565250000
Ex enclosure (silicone seal)	9526830000
Note	**Delivery time on request

Accessories






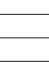
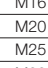
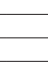
Torx screwdriver	Order No.
Uninsulated Torx TH20	9009160000



Assembly with terminal	Vertical	Horizontal
	2,5 mm ²	*
	4 mm ²	
	6 mm ²	
	10 mm ²	
	16 mm ²	

Note * Please use BK terminals for these enclosures. Also refer to our terminals catalogue.

Number of cable entries

Number of cable entries	A / B	C / D
	1	3
	1	3
		
		
		
		
		
		

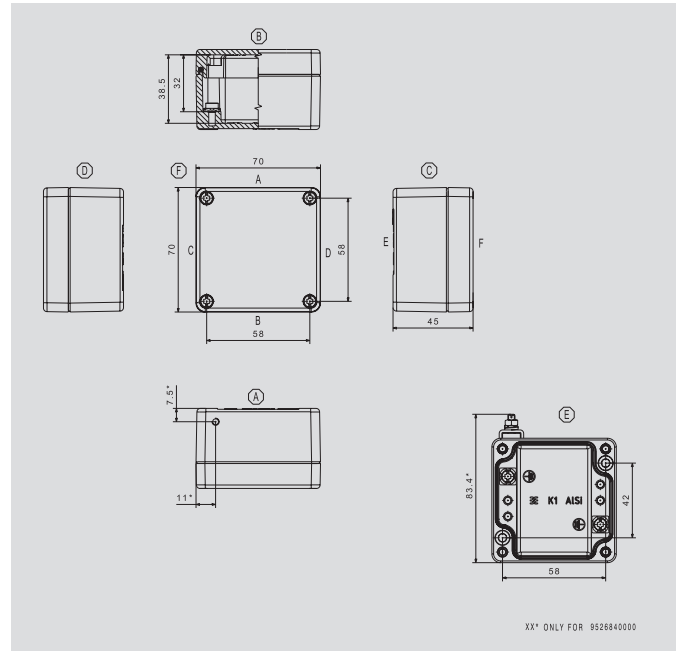
Note ** Our IP68 brass cable glands are used as the reference for these guideline values.

Note

Klippon® K 1

Depth **45 mm**

Diecast aluminium enclosure



Height/Width/Depth	70 / 70 / 45 mm
Weight	220 g


Ordering data

Powder-coated (RAL 7001)	Order No.
Standard (CR seal)	9529120000
Standard (silicone seal)**	1937630000
Unpainted	Order No.
Standard (CR seal)	0342000000
Ex enclosure (silicone seal)	9526840000
Note	**Delivery time on request

Accessories

Terminal rail, Set	Order No.
15 mm width	1909980000
Mounting plate	Order No.
Steel sheet, galvanised	1905280000
Torx screwdriver	Order No.
Uninsulated Torx TH20	9009160000

Note Sets also contain any required fastening accessories.

Assembly with terminal	Vertical	Horizontal
	2,5 mm ²	*
	4 mm ²	
	6 mm ²	
	10 mm ²	
	16 mm ²	

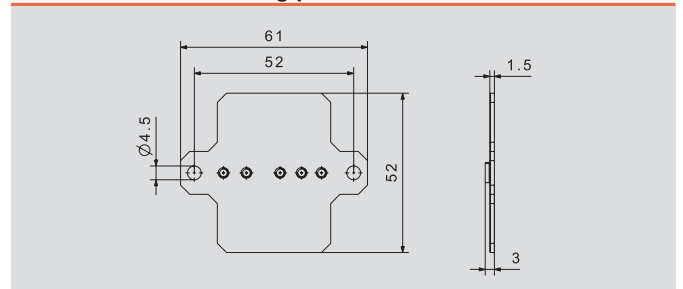
Note * Please use AKZ or BK terminals for these enclosures. Also refer to our terminals catalogue.

Number of cable entries

Number of cable entries	A / B	C / D
M12	2	1
M16	2	1
M20	1	
M25		
M32		
M40		
M50		
M63		

Note ** Our IP68 brass cable glands are used as the reference for these guideline values.

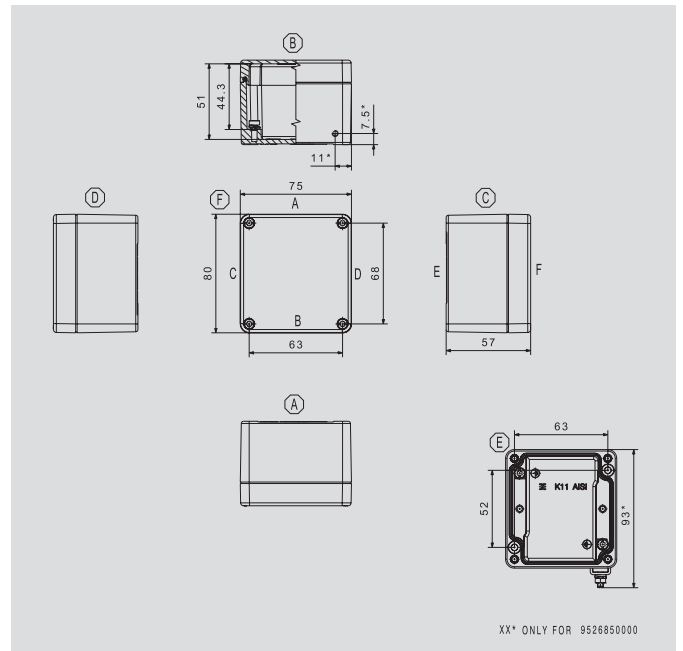
Dimensions of mounting plate



Klippon® K 11

Depth **57 mm**

Diecast aluminium enclosure



Height/Width/Depth	80 / 75 / 57 mm
Weight	280 g

Ordering data

Powder-coated (RAL 7001)	Order No.
Standard (CR seal)	9529130000
Standard (silicone seal)**	1937910000
Unpainted	Order No.
Standard (CR seal)	0573300000
Ex enclosure (silicone seal)	9526850000
Note	**Delivery time on request

Accessories

Terminal rail, Set	Order No.
15 mm width	1909990000
Mounting plate	Order No.
Steel sheet, galvanised	3073000000
Hinge, diecast aluminium, Set	Order No.
	1580360000
Torx screwdriver	Order No.
Uninsulated Torx TH20	9009160000

Note Sets also contain any required fastening accessories. 1 hinge on each longitudinal side

Assembly with terminal	Vertical	Horizontal
	2,5 mm ²	1x5
	4 mm ²	1x4
	6 mm ²	
	10 mm ²	
	16 mm ²	

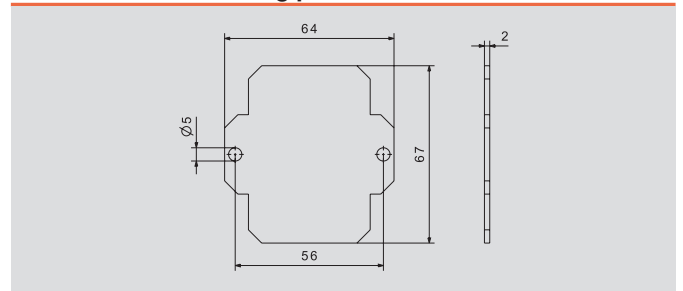
Note * Please use AKZ or BK terminals for these enclosures. Also refer to our terminals catalogue.

Number of cable entries

Number of cable entries	A / B	C / D
M12	2	2
M16	2	2
M20	1	1
M25	1	
M32		
M40		
M50		
M63		

Note ** Our IP68 brass cable glands are used as the reference for these guideline values.

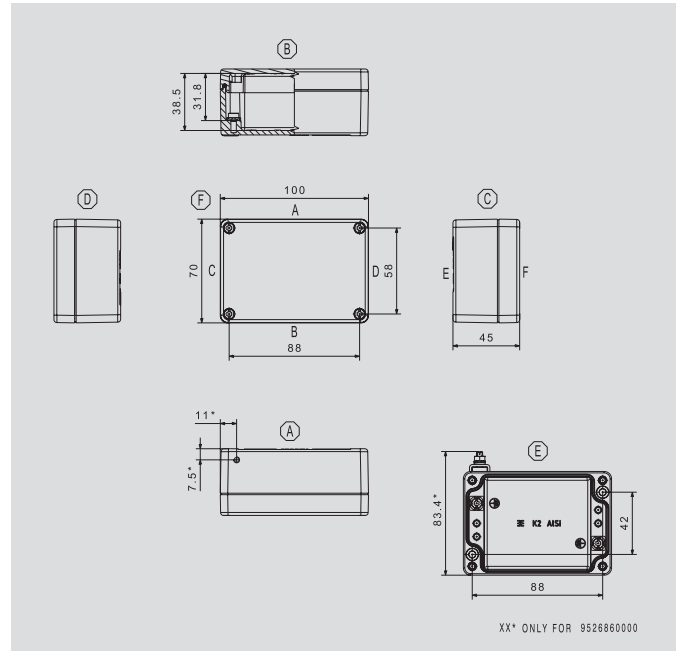
Dimensions of mounting plate



Klippon® K 2

Depth **45 mm**

Diecast aluminium enclosure






Height/Width/Depth	70 / 100 / 45 mm
Weight	280 g


Ordering data

Powder-coated (RAL 7001)	Order No.
Standard (CR seal)	9529140000
Standard (silicone seal)**	1937930000
Unpainted	Order No.
Standard (CR seal)	0342100000
Ex enclosure (silicone seal)	9526860000
Note	**Delivery time on request

Accessories


Terminal rail, Set	Order No.
 15 mm width	1910010000
Mounting plate	Order No.
 Steel sheet, galvanised	1905270000
Torx screwdriver	Order No.
 Uninsulated Torx TH20	9009160000

Note Sets also contain any required fastening accessories.

Assembly with terminal	Vertical	Horizontal
	2,5 mm ²	*
	4 mm ²	1x10
	6 mm ²	
	10 mm ²	
	16 mm ²	

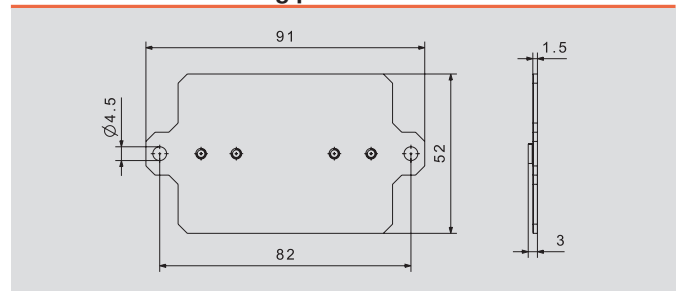
Note * Please use AKZ or BK terminals for these enclosures. Also refer to our terminals catalogue.

Number of cable entries

Number of cable entries	A / B	C / D
 M12	3	1
M16	3	1
M20	2	
M25		
M32		
M40		
M50		
M63		

Note ** Our IP68 brass cable glands are used as the reference for these guideline values.

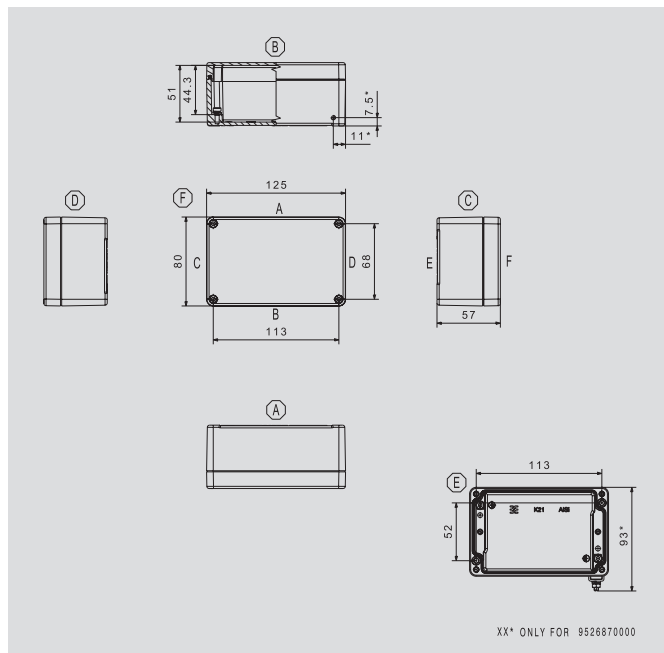
Dimensions of mounting plate



Klippon® K 21

Depth 57 mm

Diecast aluminium enclosure



Height/Width/Depth	80 / 125 / 57 mm
Weight	400 g

Ordering data

Powder-coated (RAL 7001)	Order No.
Standard (CR seal)	9529150000
Standard (silicone seal)**	1937830000
Unpainted	Order No.
Standard (CR seal)	0573400000
Ex enclosure (silicone seal)	9526870000
Note	**Delivery time on request

Accessories

Terminal rail, Set	Order No.
15 mm width	1910020000
Mounting plate	Order No.
Steel sheet, galvanised	3073020000
Hinge, diecast aluminium, Set	Order No.
	1580360000
Torx screwdriver	Order No.
Uninsulated Torx TH20	9009160000

Note Sets also contain any required fastening accessories. 1 hinge on each longitudinal side

Assembly with terminal	Vertical	Horizontal
	2,5 mm ²	1x15
	4 mm ²	1x12
	6 mm ²	
	10 mm ²	
	16 mm ²	



Note * Please use AKZ or BK terminals for these enclosures. Also refer to our terminals catalogue.

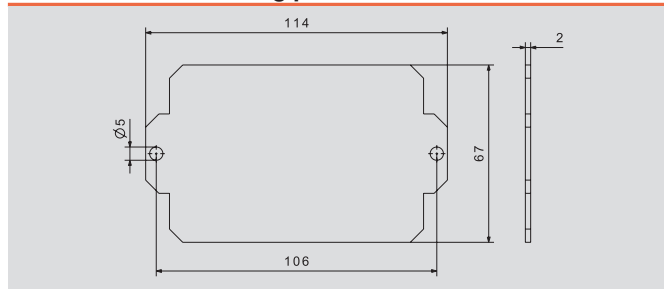
Number of cable entries

Number of cable entries	A / B	C / D
M12	6	2
M16	4	2
M20	3	1
M25	2	
M32		
M40		
M50		
M63		



Note ** Our IP68 brass cable glands are used as the reference for these guideline values.

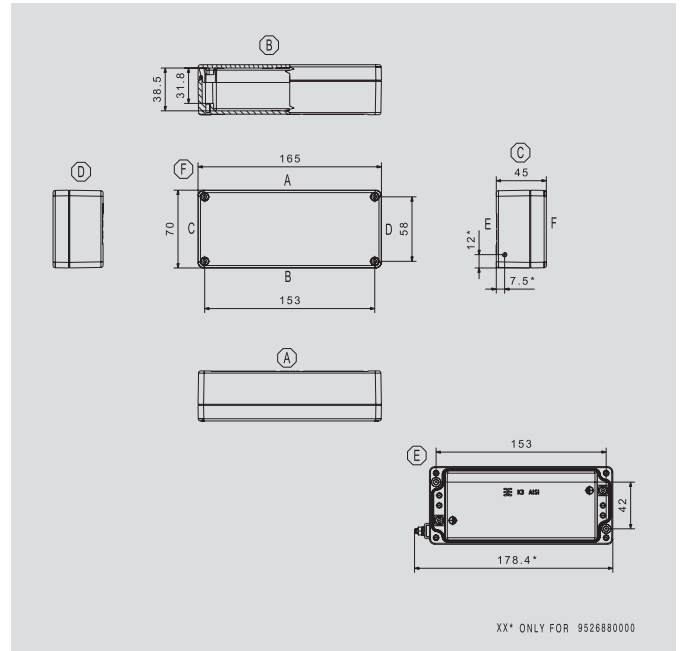
Dimensions of mounting plate



Klippon® K 3

Depth **45 mm**

Diecast aluminium enclosure



Height/Width/Depth	70 / 165 / 45 mm
Weight	400 g


Ordering data

Powder-coated (RAL 7001)	Order No.
Standard (CR seal)	9529160000
Standard (silicone seal)**	1937900000
Unpainted	Order No.
Standard (CR seal)	0342200000
Ex enclosure (silicone seal)	9526880000
Note	**Delivery time on request

Accessories


Terminal rail, Set	Order No.
15 mm width	1910030000
Mounting plate	Order No.
Steel sheet, galvanised	1898210000
More tightly drawn	1899630000
Torx screwdriver	Order No.
Uninsulated Torx TH20	9009160000

Note Sets also contain any required fastening accessories.

Assembly with terminal	Vertical	Horizontal
	2,5 mm ²	*
	4 mm ²	1x22
	6 mm ²	
	10 mm ²	
	16 mm ²	

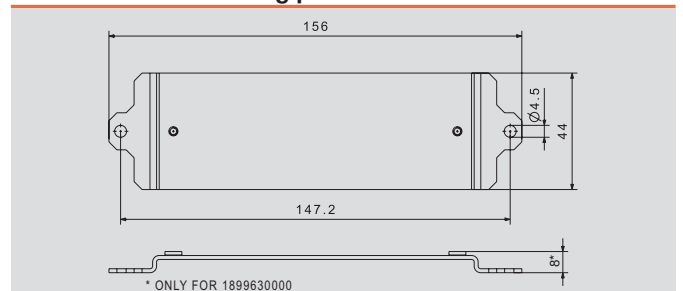
Note * Please use AKZ or BK terminals for these enclosures. Also refer to our terminals catalogue.

Number of cable entries

Number of cable entries	A / B	C / D
	M12	6
	M16	5
	M20	4
	M25	
	M32	
	M40	
	M50	
	M63	

Note ** Our IP68 brass cable glands are used as the reference for these guideline values.

Dimensions of mounting plate

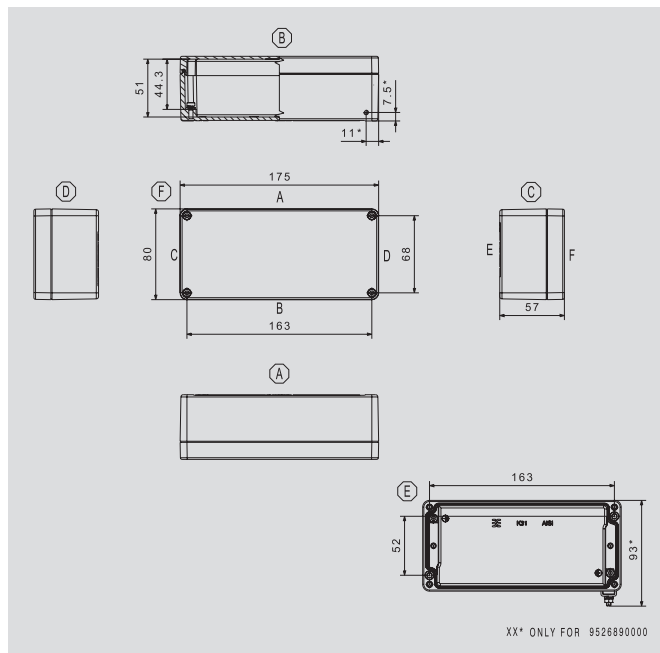


* ONLY FOR 1899630000

Klippon® K 31

Depth 57 mm

Diecast aluminium enclosure



Height/Width/Depth	80 / 175 / 57 mm
Weight	520 g

Ordering data

Powder-coated (RAL 7001)	Order No.
Standard (CR seal)	9529170000
Standard (silicone seal)**	1937820000
Unpainted	Order No.
Standard (CR seal)	0573500000
Ex enclosure (silicone seal)	9526890000
Note	**Delivery time on request

Accessories

Terminal rail, Set	Order No.
35 mm width	1910040000
Mounting plate	Order No.
Steel sheet, galvanised	3073040000
Hinge, diecast aluminium, Set	Order No.
	1580360000
Torx screwdriver	Order No.
Uninsulated Torx TH20	9009160000

Note Sets also contain any required fastening accessories. 1 hinge on each longitudinal side

Assembly with terminal	Vertical	Horizontal
	2,5 mm ²	1x23
	4 mm ²	1x19
	6 mm ²	
	10 mm ²	
	16 mm ²	



Note * Please use AKZ or BK terminals for these enclosures. Also refer to our terminals catalogue.

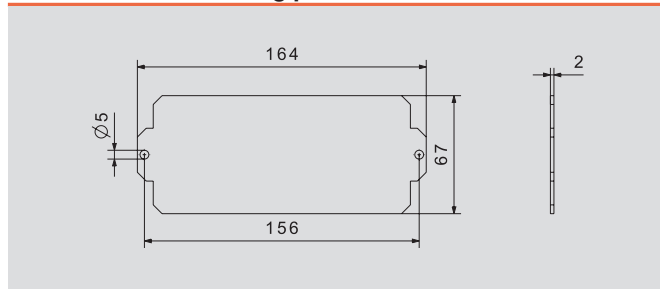
Number of cable entries

Number of cable entries	A / B	C / D
M12	9	2
M16	6	2
M20	4	1
M25	3	
M32		
M40		
M50		
M63		



Note ** Our IP68 brass cable glands are used as the reference for these guideline values.

Dimensions of mounting plate



Klippon® K 32

Depth 55 mm

Diecast aluminium enclosure



Height/Width/Depth 80 / 250 / 55 mm
Weight 710 g

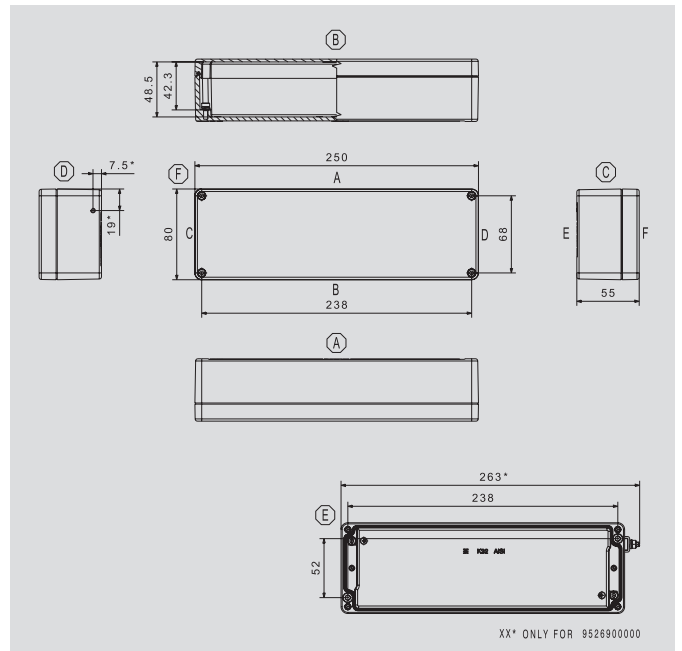
Ordering data

Powder-coated (RAL 7001)	Order No.
Standard (CR seal)	9529180000
Standard (silicone seal)**	1937810000
Unpainted	Order No.
Standard (CR seal)	1565260000
Ex enclosure (silicone seal)	9526900000
Note	**Delivery time on request

Accessories

Terminal rail, Set	Order No.
35 mm width	1910050000
Mounting plate	Order No.
Steel sheet, galvanised	3073050000
Torx screwdriver	Order No.
Uninsulated Torx TH20	9009160000

Note Sets also contain any required fastening accessories



Assembly with terminal	Vertical	Horizontal
	2,5 mm ²	1x38
	4 mm ²	1x32
	6 mm ²	
	10 mm ²	
	16 mm ²	



Note * Please use AKZ or BK terminals for these enclosures. Also refer to our terminals catalogue.

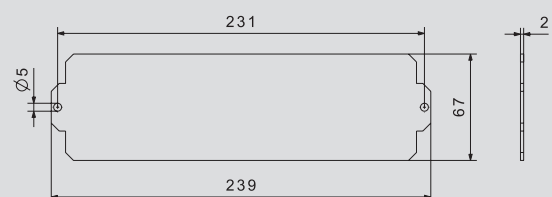
Number of cable entries

Number of cable entries	A / B	C / D
M12	15	2
M16	9	2
M20	7	1
M25	6	
M32		
M40		
M50		
M63		



Note ** Our IP68 brass cable glands are used as the reference for these guideline values.

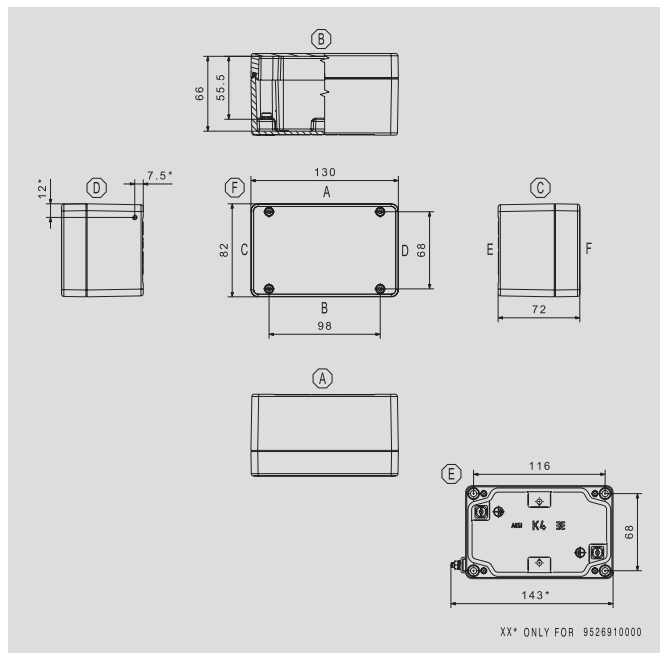
Dimensions of mounting plate



Klippon® K 4

Depth 72 mm

Diecast aluminium enclosure



Height/Width/Depth	82 / 130 / 72 mm
Weight	620 g

Ordering data

Powder-coated (RAL 7001)	Order No.
Standard (CR seal)	9529190000
Standard (silicone seal)**	1937890000
Unpainted	Order No.
Standard (CR seal)	0342300000
Ex enclosure (silicone seal)	9526910000
Note	**Delivery time on request

Accessories

Terminal rail, Set	Order No.
35 mm width	1910060000
Mounting plate	Order No.
Steel sheet, galvanised	3073060000
Hinge, diecast aluminium, Set	Order No.
	1580360000
Torx screwdriver	Order No.
Uninsulated Torx TH20	9009160000

Note Sets also contain any required fastening accessories. 1 hinge on each longitudinal side

Assembly with terminal	Vertical	Horizontal
	2,5 mm ²	1x5
	4 mm ²	1x4
	6 mm ²	1x3
	10 mm ²	1x2
	16 mm ²	



Note Terminal rails should be fitted directly. The assembly with modular terminals includes a 10 mm space at each end of the terminal rail. Recommendation: TS 35 DIN Rail (screw clamp terminal) WDU 2.5 1020000000 / (tension clamp terminal) ZDU 2.5 1608510000

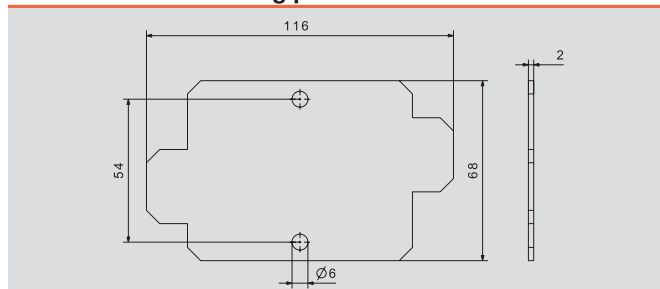
Number of cable entries

Number of cable entries	A / B	C / D
M12	2	5
M16	2	3
M20	1	2
M25	1	2
M32	1	
M40		
M50		
M63		



Note ** Our IP68 brass cable glands are used as the reference for these guideline values.

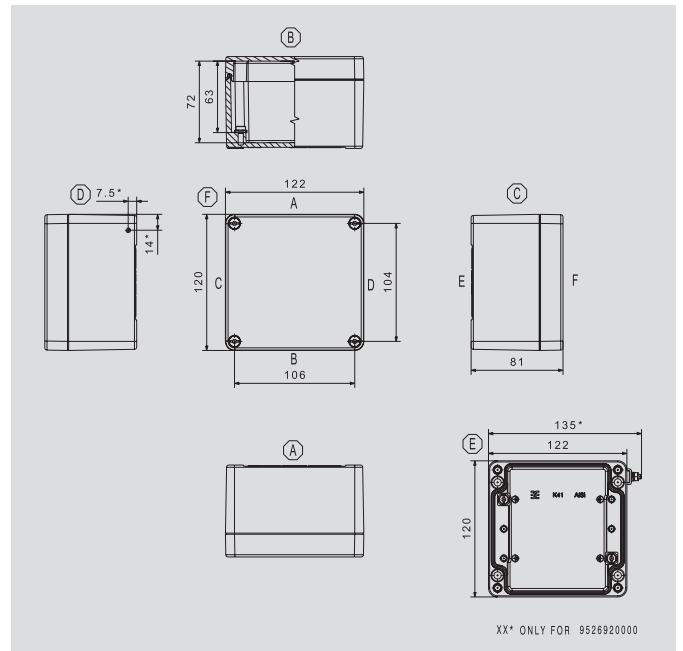
Dimensions of mounting plate



Klippon® K 41

Depth 81 mm

Diecast aluminium enclosure



Height/Width/Depth	120 / 122 / 81 mm
Weight	840 g


Ordering data

Powder-coated (RAL 7001)	Order No.
Standard (CR seal)	9529200000
Standard (silicone seal)**	1937800000
Unpainted	Order No.
Standard (CR seal)	1565270000
Ex enclosure (silicone seal)	9526920000
Note	**Delivery time on request

Accessories

Terminal rail, Set	Order No.
35 mm width	1910070000
Earth bar, Set	Order No.
	9511200000
Mounting plate	Order No.
Steel sheet, galvanised	3073070000
Hinge, diecast aluminium, Set	Order No.
	1580360000
Wall-mounted holder, Set of 4	Order No.
	9527590000
Torx screwdriver	Order No.
Uninsulated Torx TH20	9009160000

Note Sets also contain any required fastening accessories. 1 hinge on each longitudinal side

Assembly with terminal	Vertical	Horizontal
	2,5 mm ²	1x13
	4 mm ²	1x11
	6 mm ²	1x8
	10 mm ²	1x6
	16 mm ²	

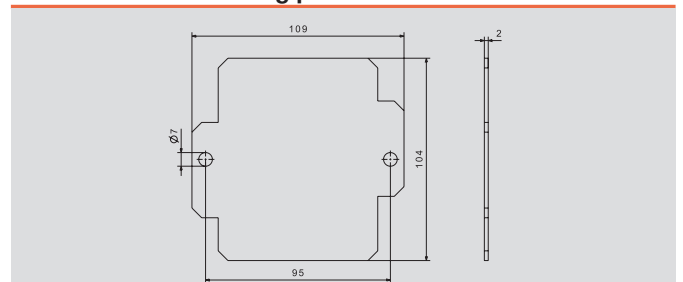
Note * Please use AKZ or BK terminals for these enclosures. Also refer to our terminals catalogue.

Number of cable entries

Number of cable entries	A / B	C / D
M12	6	4
M16	6	4
M20	3	2
M25	2	1
M32	1	1
M40		
M50		
M63		

Note ** Our IP68 brass cable glands are used as the reference for these guideline values.

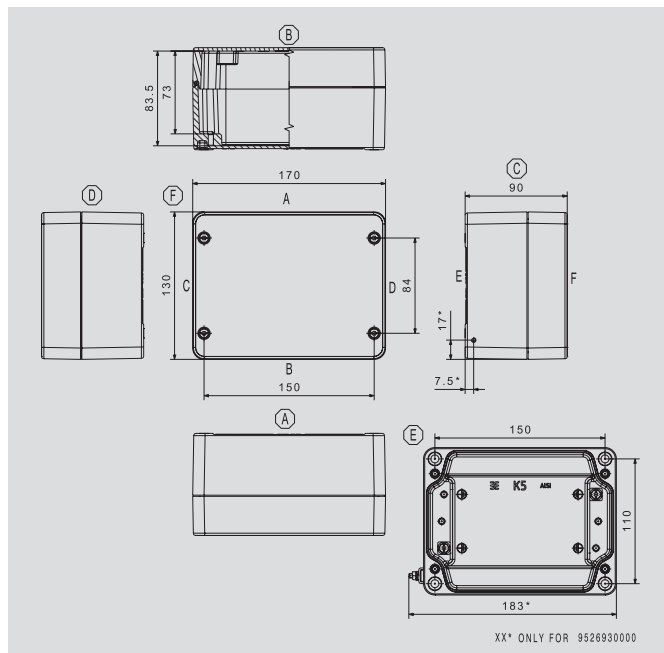
Dimensions of mounting plate



Klippon® K 5

Depth 90 mm

Diecast aluminium enclosure



Height/Width/Depth	130 / 170 / 90 mm
Weight	1540 g

Ordering data

Powder-coated (RAL 7001)	Order No.
Standard (CR seal)	9529210000
Standard (silicone seal)**	1937860000
Unpainted	Order No.
Standard (CR seal)	0342400000
Ex enclosure (silicone seal)	9526930000
Note	**Delivery time on request

Accessories

Terminal rail, Set	Order No.
35 mm width	1910080000
Earth bar, Set	Order No.
	9511220000
Mounting plate	Order No.
Steel sheet, galvanised	3073080000
Hinge, diecast aluminium, Set	Order No.
	1580360000
Wall-mounted holder, Set of 4	Order No.
	9529080000
Torx screwdriver	Order No.
Uninsulated Torx TH20	9009160000

Note Sets also contain any required fastening accessories. 1 hinge on each longitudinal side

Assembly with terminal	Vertical	Horizontal
	2,5 mm ²	1x20
	4 mm ²	1x16
	6 mm ²	1x12
	10 mm ²	1x10
	16 mm ²	1x8



Note Terminal rails should be fitted directly. The assembly with modular terminals includes a 10 mm space at each end of the terminal rail.
 Recommendation:
 TS 35 DIN Rail (screw clamp terminal) WDU 2.5 1020000000 / (tension clamp terminal) ZDU 2.5 1608510000

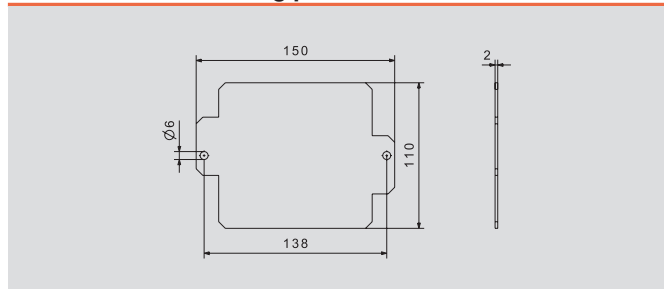
Number of cable entries

Number of cable entries	A / B	C / D
M12	11	4
M16	8	2
M20	4	1
M25	3	1
M32	2	1
M40		
M50		
M63		



Note ** Our IP68 brass cable glands are used as the reference for these guideline values.

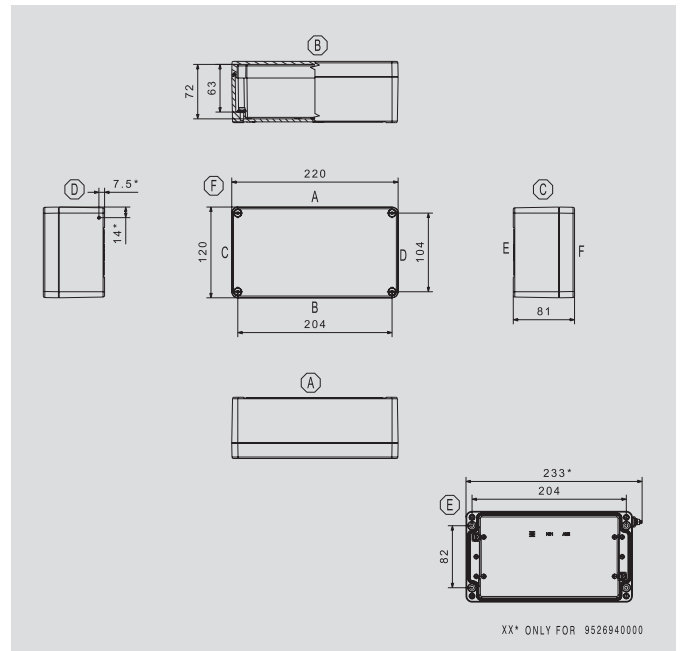
Dimensions of mounting plate



Klippon® K 51

Depth 81 mm

Diecast aluminium enclosure



Height/Width/Depth	130 / 170 / 90 mm
Weight	1540 g

Ordering data

Powder-coated (RAL 7001)	Order No.
Standard (CR seal)	9529220000
Standard (silicone seal)**	1937750000
Unpainted	Order No.
Standard (CR seal)	1565280000
Ex enclosure (silicone seal)	9526940000
Note	**Delivery time on request

Accessories

Terminal rail, Set	Order No.
35 mm width	1910090000
Earth bar, Set	Order No.
	9511210000
Mounting plate	Order No.
Steel sheet, galvanised	3073090000
Hinge, diecast aluminium, Set	Order No.
	1580360000
Wall-mounted holder, Set of 4	Order No.
	9527590000
Torx screwdriver	Order No.
Uninsulated Torx TH20	9009160000

Note Sets also contain any required fastening accessories. 2 hinges on each longitudinal side

Assembly with terminal	Vertical	Horizontal
	2,5 mm ²	1x31
	4 mm ²	1x26
	6 mm ²	1x19
	10 mm ²	1x15
	16 mm ²	



Note Terminal rails should be fitted directly. The assembly with modular terminals includes a 10 mm space at each end of the terminal rail. Recommendation: TS 35 DIN Rail (screw clamp terminal) WDU 2.5 1020000000 / (tension clamp terminal) ZDU 2.5 1608510000

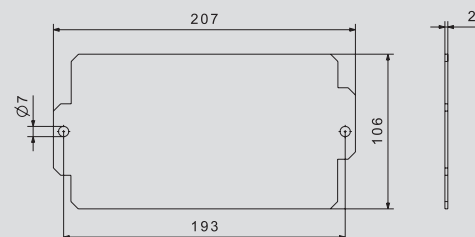
Number of cable entries

Number of cable entries	A / B	C / D
M12	23	6
M16	14	3
M20	8	2
M25	5	1
M32	3	1
M40	3	
M50		
M63		



Note ** Our IP68 brass cable glands are used as the reference for these guideline values.

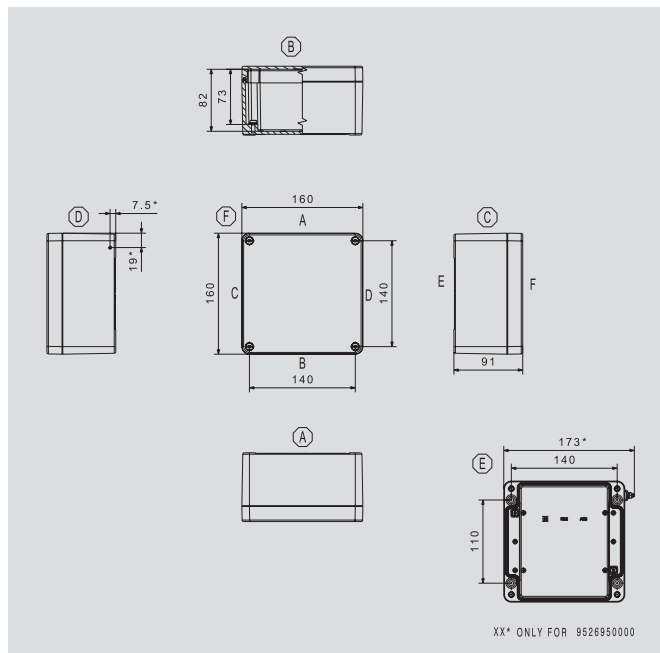
Dimensions of mounting plate



Klippon® K 52

Depth 91 mm

Diecast aluminium enclosure



Height/Width/Depth 160 / 160 / 91 mm
Weight 1480 g

Ordering data

Powder-coated (RAL 7001)	Order No.
Standard (CR seal)	9529230000
Standard (silicone seal)**	1937740000
Unpainted	Order No.
Standard (CR seal)	1565290000
Ex enclosure (silicone seal)	9526950000
Note	**Delivery time on request

Accessories

Terminal rail, Set	Order No.
35 mm width	1910100000
Earth bar, Set	Order No.
	9511220000
Mounting plate	Order No.
Steel sheet, galvanised	3073100000
Hinge, diecast aluminium, Set	Order No.
	1580360000
Wall-mounted holder, Set of 4	Order No.
	9527590000
Torx screwdriver	Order No.
Uninsulated Torx TH20	9009160000

Note Sets also contain any required fastening accessories. 1 hinge on each longitudinal side

Assembly with terminal	Vertical	Horizontal
	2,5 mm ²	1x18
	4 mm ²	1x15
	6 mm ²	1x11
	10 mm ²	1x9
	16 mm ²	



Note Terminal rails should be fitted directly. The assembly with modular terminals includes a 10 mm space at each end of the terminal rail. Recommendation: TS 35 DIN Rail (screw clamp terminal) WDU 2.5 1020000000 / (tension clamp terminal) ZDU 2.5 1608510000

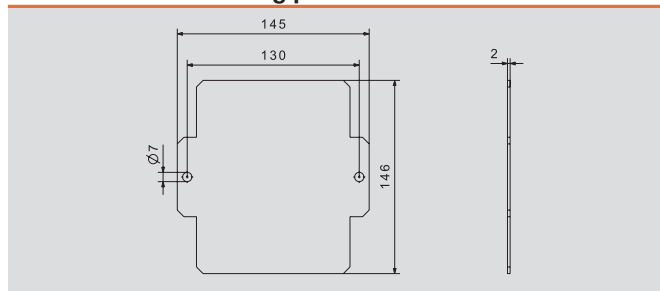
Number of cable entries

Number of cable entries	A / B	C / D
M12	14	8
M16	8	5
M20	5	3
M25	3	2
M32	2	1
M40	1	
M50		
M63		



Note ** Our IP68 brass cable glands are used as the reference for these guideline values.

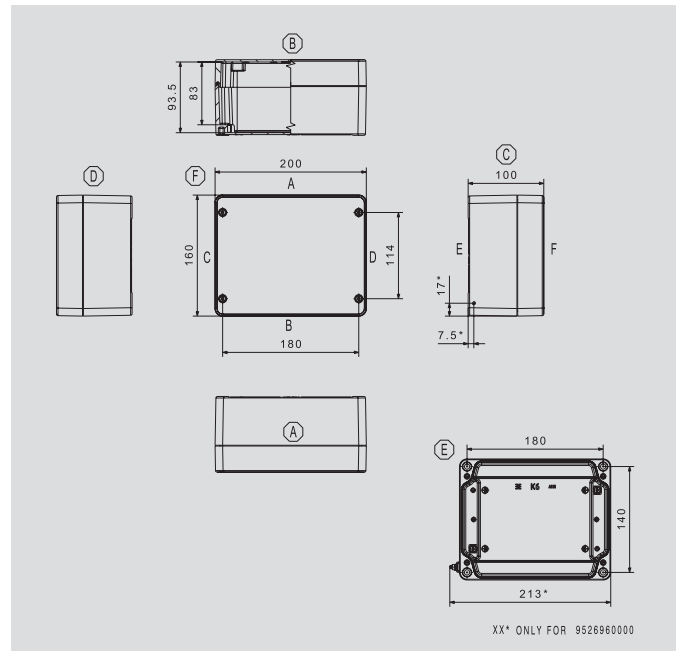
Dimensions of mounting plate



Klippon® K 6

Depth 100 mm

Diecast aluminium enclosure



Height/Width/Depth	160 / 200 / 100 mm
Weight	2000 g

Ordering data

Powder-coated (RAL 7001)	Order No.
Standard (CR seal)	9529240000
Standard (silicone seal)**	1937870000
Unpainted	Order No.
Standard (CR seal)	0342500000
Ex enclosure (silicone seal)	9526960000
Note	**Delivery time on request

Accessories

Terminal rail, Set	Order No.
35 mm width	1910110000
Earth bar, Set	Order No.
	9525020000
Mounting plate	Order No.
Steel sheet, galvanised	3073110000
Hinge, diecast aluminium, Set	Order No.
	1580360000
Wall-mounted holder, Set of 4	Order No.
	9529080000
Torx screwdriver	Order No.
Uninsulated Torx TH20	9009160000

Note Sets also include any fixings necessary. 2 hinges per long side

Assembly with terminal	Vertical	Horizontal
	2,5 mm ²	1x25
	4 mm ²	1x21
	6 mm ²	1x15
	10 mm ²	1x12
	16 mm ²	1x10



Note Terminal rails should be fitted directly. The assembly with modular terminals includes a 10 mm space at each end of the terminal rail. Recommendation: TS 35 DIN Rail (screw clamp terminal) WDU 2.5 1020000000 / (tension clamp terminal) ZDU 2.5 1608510000

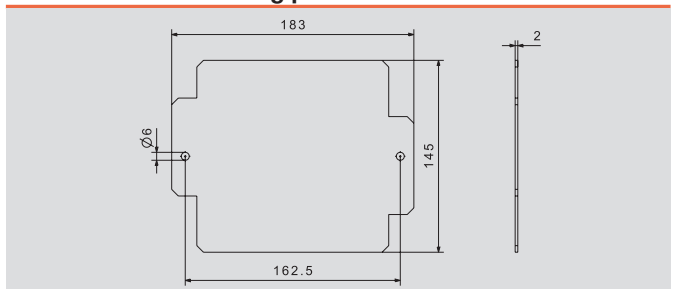
Number of cable entries

Number of cable entries	A / B	C / D
M12	17	6
M16	12	6
M20	7	3
M25	4	2
M32	3	2
M40	2	1
M50		
M63		



Note ** Our IP68 brass cable glands are used as the reference for these guideline values.

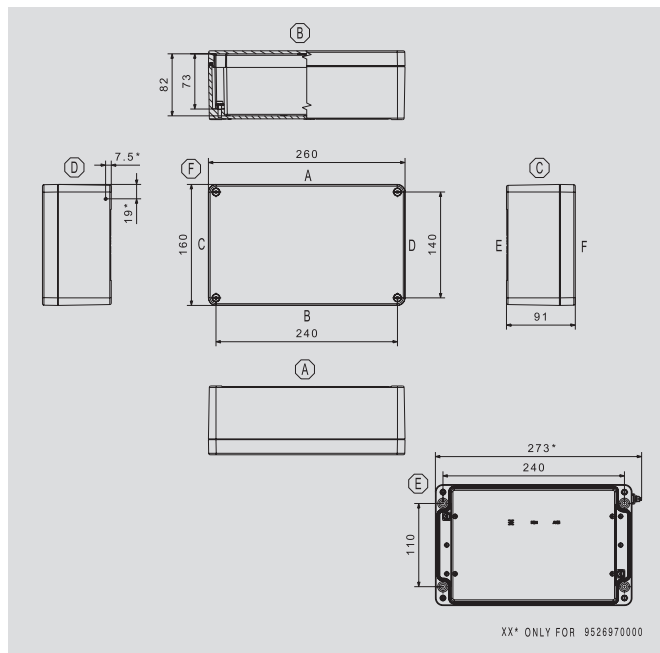
Dimensions of mounting plate



Klippon® K 61

Depth 91 mm

Diecast aluminium enclosure



Height/Width/Depth	160 / 260 / 91 mm
Weight	2060 g

Ordering data

Powder-coated (RAL 7001)	Order No.
Standard (CR seal)	9529250000
Standard (silicone seal)**	1937730000
Unpainted	Order No.
Standard (CR seal)	0573600000
Ex enclosure (silicone seal)	9526970000
Note	**Delivery time on request

Accessories

Terminal rail, Set	Order No.
35 mm width	1910120000
Earth bar, Set	Order No.
	9511230000
Mounting plate	Order No.
Steel sheet, galvanised	3073120000
Hinge, diecast aluminium, Set	Order No.
	1580360000
Wall-mounted holder, Set of 4	Order No.
	9527590000
Torx screwdriver	Order No.
Uninsulated Torx TH20	9009160000

Note Sets also include any fixings necessary. 2 hinges per long side

Assembly with terminal	Vertical	Horizontal
	2,5 mm ²	1x38
	4 mm ²	1x32
	6 mm ²	1x24
	10 mm ²	1x19
	16 mm ²	1x16



Note Terminal rails should be fitted directly. The assembly with modular terminals includes a 10 mm space at each end of the terminal rail. Recommendation: TS 35 DIN Rail (screw clamp terminal) WDU 2.5 1020000000 / (tension clamp terminal) ZDU 2.5 1608510000

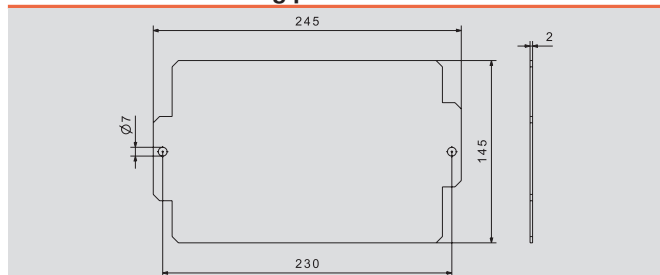
Number of cable entries

Number of cable entries	A / B	C / D
M12	27	8
M16	23	6
M20	13	3
M25	8	2
M32	4	1
M40	3	1
M50		
M63		



Note ** Our IP68 brass cable glands are used as the reference for these guideline values.

Dimensions of mounting plate



Klippon® K 7

Depth 100 mm

Diecast aluminium enclosure



Height/Width/Depth 160 / 350 / 100 mm
Weight 2870 g

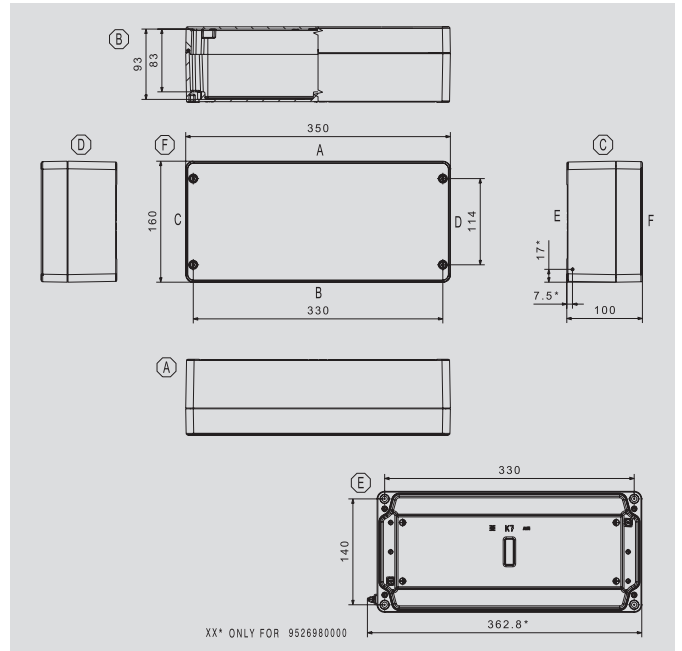
Ordering data

Powder-coated (RAL 7001)	Order No.
Standard (CR seal)	9529260000
Standard (silicone seal)**	1937880000
Unpainted	Order No.
Standard (CR seal)	0342600000
Ex enclosure (silicone seal)	9526980000
Note	**Delivery time on request

Accessories

Terminal rail, Set	Order No.
35 mm width	1910130000
Earth bar, Set	Order No.
	9525030000
Mounting plate	Order No.
Steel sheet, galvanised	3073130000
Hinge, diecast aluminium, Set	Order No.
	1580360000
Wall-mounted holder, Set of 4	Order No.
	9529080000
Torx screwdriver	Order No.
Uninsulated Torx TH20	9009160000

Note Sets also include any fixings necessary. 2 hinges per long side



Assembly with terminal	Vertical	Horizontal
	2,5 mm ²	1x55
	4 mm ²	1x46
	6 mm ²	1x34
	10 mm ²	1x27
	16 mm ²	1x23

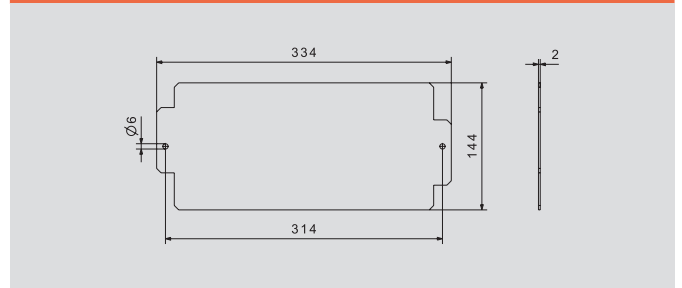
Note Terminal rails should be fitted directly. The assembly with modular terminals includes a 10 mm space at each end of the terminal rail. Recommendation: TS 35 DIN Rail (screw clamp terminal) WDU 2.5 1020000000 / (tension clamp terminal) ZDU 2.5 1608510000

Number of cable entries

Number of cable entries	A / B	C / D
M12	42	8
M16	26	6
M20	17	3
M25	10	2
M32	6	2
M40	5	1
M50		
M63		

Note ** Our IP68 brass cable glands are used as the reference for these guideline values.

Dimensions of mounting plate



Klippon® K 71

Depth **111 mm**

Diecast aluminium enclosure



Height/Width/Depth 230 / 280 / 111 mm
 Weight 2925 g

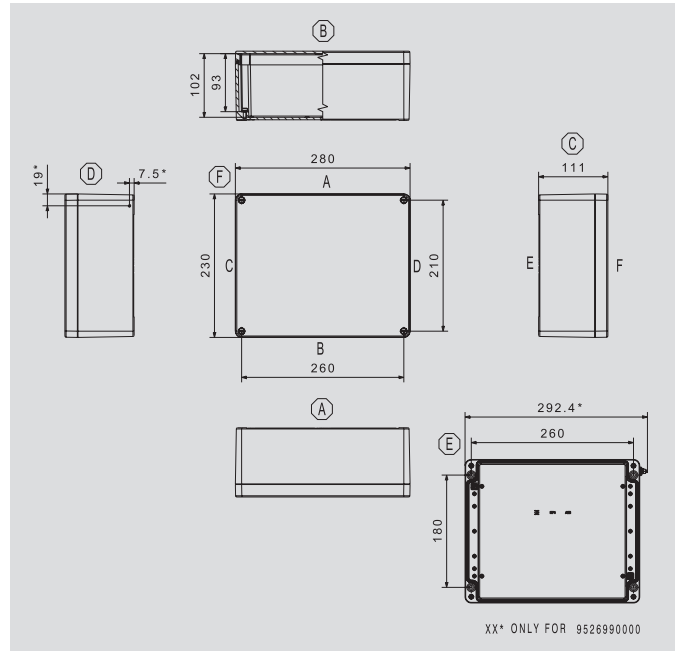
Ordering data

Powder-coated (RAL 7001)	Order No.
Standard (CR seal)	9529270000
Standard (silicone seal)**	1937720000
Unpainted	Order No.
Standard (CR seal)	0573700000
Ex enclosure (silicone seal)	9526990000
Note	**Delivery time on request

Accessories

Terminal rail, Set	Order No.
35 mm width	1910140000
Earth bar, Set	Order No.
	9511190000
Mounting plate	Order No.
Steel sheet, galvanised	3073140000
Hinge, diecast aluminium, Set	Order No.
	1580360000
Wall-mounted holder, Set of 4	Order No.
	9527590000
Torx screwdriver	Order No.
Uninsulated Torx TH20	9009160000

Note Sets also include any fixings necessary. 2 hinges per long side



Assembly with terminal	Vertical	Horizontal
	2,5 mm ²	2x42
	4 mm ²	2x35
	6 mm ²	2x26
	10 mm ²	2x21
	16 mm ²	

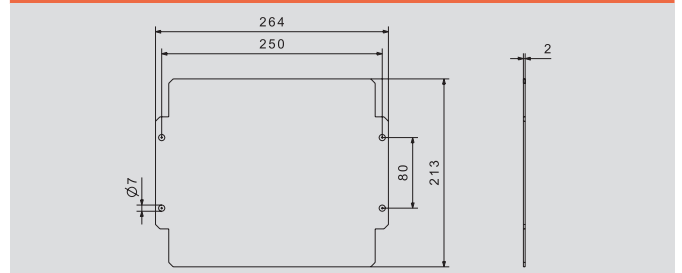
Note Terminal rails should be fitted directly. The assembly with modular terminals includes a 10 mm space at each end of the terminal rail.
 Recommendation: TS 35 DIN Rail (screw clamp terminal) WDU 2.5 1020000000 / (tension clamp terminal) ZDU 2.5 1608510000

Number of cable entries

Number of cable entries	A / B	C / D
M12	42	28
M16	30	18
M20	21	10
M25	12	8
M32	10	3
M40	4	2
M50	3	2
M63		








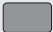



Note ** Our IP68 brass cable glands are used as the reference for these guideline values.

Dimensions of mounting plate



Standardised distributor enclosures

Whatever application you are planning, Weidmüller delivers suitable enclosure versions for different applications. To make this process even more efficient, Weidmüller provides a modular system from which you can compile your individual enclosure variant.

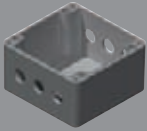
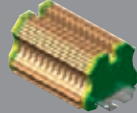



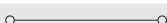


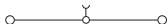

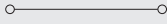
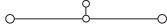
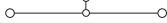
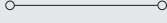
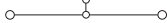

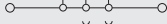




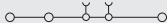
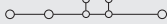
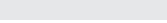

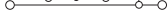
Dimensions of the enclosure height x width x depth, mm	Short term	Empty enclosures without threaded holes		Mounting rail (TS) Mounting plate (MOPL)				
		Order No.	Qty.	Type	Length mm	Stamp dimension mm	Order No.	Qty.
Aluminium, uncoated								
64 x 58 x 34 	Klippon® K01	1565240000	10	–	–	–	–	–
70 x 70 x 45 	Klippon® K1	0342000000	10	TS15	60	4.5 x 20	1909980000	1
80 x 75 x 57 	Klippon® K11	0573300000	10	MOPL	60	4.2 x 14	8000004495	1
				TS15	64	4.5 x 20	1909990000	1
70 x 100 x 45 	Klippon® K2	0342100000	10	TS15	90	4.5 x 20	1910010000	1
80 x 125 x 57 	Klippon® K21	0573400000	5	MOPL	90	4.2 x 14	8000004496	1
				TS15	114	4.5 x 20	1910020000	1
70 x 165 x 45 	Klippon® K3	0342200000	5	TS15	155	4.5 x 20	1910030000	1
80 x 175 x 57 	Klippon® K31	0573500000	5	MOPL	155	4.2 x 14	8000004497	1
				TS15	164	4.5 x 20	1910040000	1
82 x 130 x 72 	Klippon® K4	0342300000	1	TS35	64	5.5 x 20	1910060000	1
120 x 122 x 81 	Klippon® K41	1565270000	1	TS35	105	6.3 x 20	1910070000	1
				TS35	148	5.5 x 20	1910080000	1
130 x 170 x 90 	Klippon® K5	0342400000	1	TS35	140	6.3 x 20	1910100000	1
160 x 160 x 91 	Klippon® K52	1565290000	1	TS35	140	6.3 x 20	1910100000	1
				suitable for the enclosures of the respective line				

¹ Multi-pole terminal strip (terminal block BK 4, BK 6 or BK 12), mounted on mounting plate

² Space for further threaded holes up to M40

You have the possibility to order the empty Klippon® K enclosure with threaded holes already integrated. Matching direct terminal strips with screw or tension spring coupling can be selected. For hazardous areas, Weidmüller offers you a fully fitted distributor enclosure with explosion protection. You will find more information regarding our services on page 36.



 Empty enclosure with threaded holes				 Terminal strip				 Distribution box Ex-protection			
Threaded hole side A	Threaded hole side B	Order No.	Qty.	Connection technology	Cross section mm ²	Quantity		Order No.	Qty.	Order No.	
1x M16	1x M16	8000004184	1	Screw connection 	4	4	0	7906080000	100	–	
1x M16	2x M16	8000004147	1	Screw connection 	4	4	0	8000004129 ¹⁾	1	8000004202	
1x M20	1x M20	8000004148	1							8000004203	
2x M16	2x M16	8000004149	1	Screw connection 	4	5	2	8000004131	1	8000004207	
2x M20	2x M20	8000004150	1	Tension clamp connection 	2.5	5	1	8000004130	1	8000004208	
2x M16	2x M16			Tension clamp connection 	2.5	5	1			8000004204	
2x M20	2x M20			Screw connection 	4	5	2			8000004209	
2x M20	2x M20	8000004151	1	Screw connection 	4	6	0	8000004132 ¹⁾	1	8000004210	
3x M16	3x M16	8000004152	1	Screw connection 	4	13	2	8000004134	1	8000004212	
3x M16	3x M16			Tension clamp connection 	2.5	14	2	8000004133	1	8000004211	
4x M20	4x M20	8000004153	1	Screw connection 	4	12	0	8000004135 ¹⁾	1	8000004213	
4x M20	4x M20	8000004154	1	Screw connection 	4	21	2	8000004137	1	8000004215	
4x M20	4x M20			Tension clamp connection 	2.5	24	2	8000004136	1	8000004214	
2x M20	2x M20	8000004155	1	Screw connection 	4	5	2	8000004138	1	8000004216	
2x M20	2x M20			Tension clamp connection 	4	4	1	8000004139	1	8000004217	
2x M25	2x M25	8000003446	1	Screw connection 	4	12	2	8000003444	1	8000003589	
3x M20	3x M20	8000003447	1	Tension clamp connection 	4	9	2	8000003445	1	8000003592	
2x M25	2x M25			Tension clamp connection 	4	10	2			8000003590	
3x M20	3x M20			Screw connection 	4	12	2			8000003591	
4x M20	4x M20	8000004158	1	Screw connection 	4	17	2	8000004140	1	8000004218	
4x M20	4x M20			Tension clamp connection 	4	15	2	8000004141	1	8000004219	
4x M20	4x M20	8000004159 ²⁾	1	Screw connection 	4	16	2	8000004142	1	8000004220	
4x M20	4x M20			Tension clamp connection 	2.5	19	2	8000004143	1	8000004221	
				suitable for the enclosures of the respective line						Ex-enclosure, colour RAL 9011, with threaded holes and terminal strip according to the respective line	

Applications

Process industry

- From power generation and distribution plants to offshore and onshore hazardous area applications for the oil, gas and chemical industries
- Our enclosures are certified for use in accordance with the major international standards, including to the latest European ATEX directives



Machine industry

- Designed for a variety of industrial applications, such as machine operation controls, lifting equipment and heating and ventilation (HEVAC) applications
- Our aluminium enclosures are of a durable design, yet light to hold, whilst offering excellent protection of the internal components



Transportation

- For applications such as rolling stock, track side signalling and lighting equipment, and signage protection and control
- The Klippon® aluminium enclosures meet all requirements of mobility through innovative and customised solutions



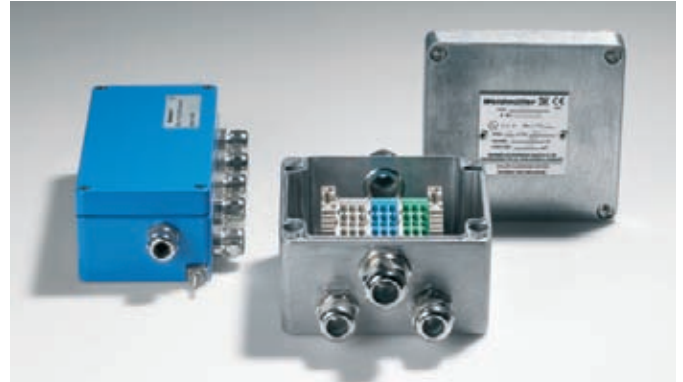
Lighting and security

- From traffic guidance systems through light signal transmitters, all the way to video surveillance systems
- Painted aluminium enclosures are offered to compliment the colours each individual application need



Hazardous Area applications (ATEX)

Applications placed into a harsh or hazardous environment require an approval. Our Klippon® K range enclosures are certified to the latest ATEX European standards allowing them to be used in every day applications such as pump flow control monitoring used on petrol station forecourts. Developed in line with the latest technologies, they protect both the electronics in Fieldbus Foundation applications and the control and monitoring of signals in petrochemical facilities, for example.



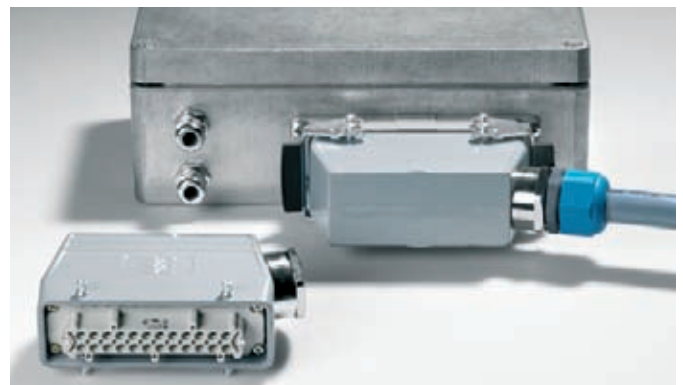
Standard industrial applications

Simple to handle but still stable, the enclosures of the Klippon® K range are frequently used for control systems in heavy-duty lifting equipment, e.g. cranes. Other typical application fields of the enclosures are in the areas of measurement and control.



Transportation applications

For the Railway industry our Klippon® K enclosures can be found on the ICE High Speed Train and are used for the control and opening of the sanding system via an electrical interface. The enclosures can be provided with a corrosion-resistant coating to protect them from extreme environment conditions. Other applications include road side signage operation, typically like those found in toll booths at motorways or ports for advising traffic informations.



Lighting and security applications

Our enclosures are used in traffic light systems to protect the technical equipment for the signal requests. Our Klippon® K enclosures are ideal for protection of the control circuit in the traffic lights to manage switching operations. The enclosures can also be used in modern video surveillance systems for installation of the electrical equipment.



Customer specific assembly



Tailored configuration

Consulting, products, development and manufacturing at one stop

As a reliable partner, Weidmüller configures intelligent enclosure solutions that are individually tailored to customer requirements. This enables the customer to reduce costs, enhance efficiency and concentrate fully on their core skills. Weidmüller has the application know-how and the capacities to offer tailored solutions – quickly, flexibly and economically. With partnership-based consulting, Weidmüller provides support in all areas and defines the tasks together with its customers. As the process continues, Weidmüller selects the ideal components from its wide product portfolio and configures them to create a solution that fits perfectly.

Highest level of professional production

Weidmüller has professional project management and extensive manufacturing skills, for example in the area of ATEX. A comprehensive portfolio of customer specific assemblies is available:

- Provision of windows, holes and threads in the enclosure
- Equipment with terminal rails
- Equipment with Heli-coil inserts
- Enclosure lid, on request with hinges and other accessories
- Sophisticated machining options such as mill cutting of contours
- Surface coatings on request: special paints, powder coatings, wet paint finish
- Individually tuned device and system markers, e.g. engraved plastic and metal signs – riveted, glued and screw-fitted.
- Furthermore, screw-couplings, cable entries, command and signal devices can be fitted together with internal wiring
- Welding, class C5, DIN 6700 for stainless steel and steel-plate enclosures



Take multiple profit:

Simplification of ordering and stockholding

One solution – one item number! It will no longer be necessary to order single components. Article variety and stockholding will be reduced.

Professional assembly

All individual components will be pre-assembled. This enables the customer to reduce installation overheads, saving time and money.

Processing of enclosures

Weidmüller uses CNC machining centres to adapt enclosures individually for specific solutions.

Online product catalogue



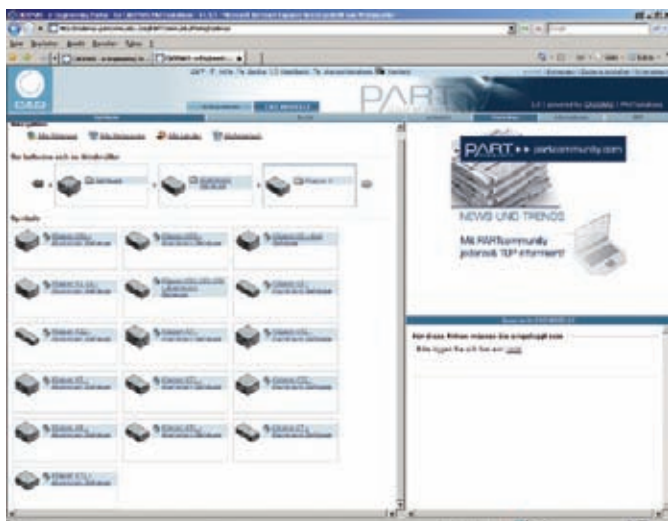
Should you have questions regarding the data and details of any products – even outside of usual hours of business or at the weekend – you can simply consult the online catalogue.

<http://catalog.weidmueller.com>

As a perfect source of information – around the clock, 365 days a year – the online catalogue contains not only product features and article numbers but also a great deal of additional information on all product groups.

More information, offers and personal points of contact can be found on the Weidmüller website:

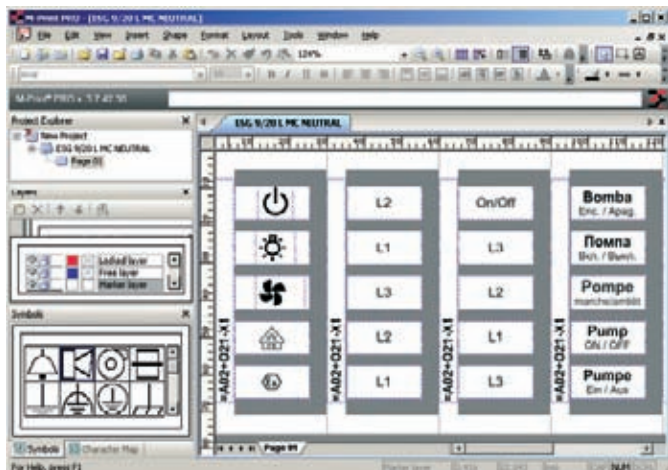
www.weidmueller.com



CAD drawings

Drawings of the Klippon® K enclosures can also be downloaded directly in a wide variety of formats from the PART Server

<http://portal-de.partcommunity.com/>



M-Print® PRO Label Designer

The comprehensive service offering from Weidmüller includes the software M-Print® PRO!

This professional software for the printing and ordering of Weidmüller labels and markers under Windows® is optimised for current print systems and labelling materials.

M-Print® PRO enables you to design labelling material professionally and quickly: with texts, frames, lines, graphics, bar codes, serial numbers and photos. The interface to RailDesigner® or to your CAE system enables the transfer of all configured data.

Addresses worldwide

- AE United Arab Emirates**
Weidmüller Middle East FZE
P.O. Box 8591
SAIF-Zone
Sharjah – U. A. E.
Phone +971 6 5672723
Fax +971 6 5672724
wme.info@weidmueller.com
- AR Argentina**
CPI SA
Bauness 2660
1431 Buenos Aires
Phone +54 11 45238008
Fax + 54 11 45220546
info@cpi.com.ar
www.cpi.com.ar
- AT Austria**
Weidmüller GmbH.
Industriezentrum Nö Süd
Straße 2, Objekt M2
2355 Wiener Neudorf
Phone +43 2236 6708-0
Fax +43 2236 6708-199
office.at@weidmueller.com
- AU Australia**
Weidmüller Pty. Ltd.
P.O.Box 6944
Huntingwood Drive 43
Huntingwood,
NSW, 2148
Phone +61 2 9671-9999
Fax +61 2 9671-9911
info@weidmuller.com.au
www.weidmuller.com.au
- AZ Azerbaijan**
West Industries Ltd.
Caspian Plaza, 5-th Floor
44 J. Jabbarly Str., Baku
Phone +99412 499 15 15
Fax +99412 499 14 93
sales@west-i.com
- BA Bosnia and Herzegovina**
BH ES ELEKTROSISTEM d.o.o.
Bul. Vojvode S.
Stepanovica kod br. 272
78000 BiH - Banja Luka
Phone +387 51 420-340
Fax +387 51 420-341
elsist@inecco.net
www.elektrosistem.ba
- BE Belgium**
Weidmüller Benelux B.V.
Mechelsesteenweg 519 bus 6 en 7
1930 Nossegem
Phone +32 2 752 4070
Fax +32 2 751 3606
info@weidmueller.be
www.weidmueller.be
- BG Bulgaria**
Weid-Bul EOOD
1756 Sofia
13, bul. "Kliment Ohridski"
Phone +359 2 9632560
Fax +359 2 9631098
weidbul@nat.bg
www.weidbul.com
- BH Bahrain**
Khayber Trading Company
P.O. Box 1976 Manama,
Phone +973 720747
Fax +973 720331
khayber@batelco.com.bh
- BR Brazil**
Conexel Conexoes Elétricas Ltda.
Rua Garcia Lorca, 176
09695-900, Sao Paulo SP
Phone +55 11 43669600
Fax +55 11 43621677
vendas@conexel.com.br
www.conexel.com.br
- BY Belarus**
TECHNIKON Ltd.
Oktyabrskaya Str. 16/5
Apt. 704, Minsk 220801
Phone +375 17 2275830
Fax +375 17 2275830
technikon@belsonet.net
- CA Canada**
W Interconnections CANADA Ltd.
10 Spy Court, Markham,
Ontario L3 R5 H6
Phone +1 905 475-1507
Fax +1 905 475-2798
info1@weidmuller.ca
www.weidmuller.ca
- CH Switzerland**
Weidmüller Schweiz AG
Rundbuckstraße 2
8212 Neuhausen am Rheinfall
Phone +41 52 6740707
Fax +41 52 6740708
info@weidmueller.ch
www.weidmueller.ch
- CL Chile**
Felipe Bahamondes S.A./ATS AGRO
Maria Luisa Santander 0475
Casilla 3425
Santiago
Phone +56 2 341-1271
Fax +56 2 341-1275
felipe@atsintech.com
- CN China**
Weidmüller Interface International
Trading (Shanghai) Co., Ltd.
25F, BM Intercontinental Business
Center,
100 Yutong Road, Shanghai 200070
P.R. China
Phone +86 21 22195008
Fax +86 21 22195009
www.cnweidmuller.com
- CO Colombia**
Automatización Avanzada S. A.
Carrera 97 No.24c, 23 B4
4 Bogotá D. C.
Phone +57 1 5478510
Fax +57 1 4223044
comercial@
automatizacionavanzada.com
www.automatizacionavanzada.com
- CR Costa Rica**
ELVATRON S.A.
la Uruca 400 Norte
Banco Costa Rica
San José Costa Rica
Phone +506 2 961060
Fax +506 5 200609
dirk.haase@elvatron.com
www.elvatron.com
- CZ Czech Republic**
Weidmüller s. r. o.
Lomnického 5/1705
14000 Praha 4
Phone +420 2 44001400
Fax +420 2 44001499
office@weidmueller.cz
www.weidmueller.cz
- DE Germany**
Weidmüller GmbH & Co. KG
P.O. Box 3054
32720 Detmold
Ohmstraße 9
32758 Detmold
Phone +49 5231 1428-0
Fax +49 5231 1428-116
weidmueller@weidmueller.de
www.weidmueller.de
- DK Denmark**
Wexoe A/S
Lejrvej 31
3500 Vaerloese
Phone +45 45465800
Fax +45 45465801
wexoe@wexoe.dk
www.wexoe.dk
- EC Ecuador**
Elsystec S. A. Electricidad
Sistemas y Tecnología
Vasco de Contreras N35-25
y Mañosa, Quito
Phone +593 2 2456510
Fax +593 2 2456755
Elsystec@uio.satnet.net
- EE Estonia**
Soots Interface OÜ
Pärnu mnt 142
11317 Tallinn
Phone +372 5296177
Fax +372 6096933
info@sootsinterface.ee
www.sootsinterface.ee
- EG Egypt**
Standard Electric (OMEGA)
87, Mohamed Farid Street
Heliopolis, Cairo
Phone +20 26422977
Fax +20 26422955
stdelec@rite.com
- ES Spain**
Weidmüller S. A.
Narcis Monturiol 11-13
Pol. Ind. Sudoeste
08960 Sant Just Desvern
Barcelona
Phone +34 93 4803386
Fax +34 93 3718055
weidmuller@weidmuller.es
www.weidmuller.es
- FI Finland**
JUHA-ELEKTRO OY
P. O. Box 57, 641 Helsinki
Kylvöpolku 6, 680 Helsinki
Phone +358 10 6328 100
Fax +358 10 8328 109
info@juha-elektro.fi
www.juha-elektro.fi
- FR France**
Weidmüller E. U. R. L.
12, Chaussée Jules César
B.P. 263 Orny
95523 Cergy Pontoise Cedex
Phone +33 1 34245500
Fax +33 1 34245501
mail@weidmuller.fr
- GB Great Britain**
Weidmüller Ltd.
1 Abbey Wood Road
Kings, West Malling
ME19 4YT
Phone +44 1732 877000
Fax +44 1732 874296
marketing@weidmuller.co.uk
- GR Greece**
Electrorama S.A.
1 An. Martail Str.
41335 Larissa
Phone +30 2410 552533188
Fax +30 2410 283463189
valizos@electrorama.com.gr
- Greece**
GA Contact Solutions
11, Ippokratous Str.
14452 Metamorfoisi Attika
Phone +30 210 2823233
Fax +30 210 2823233
gasaless@gmail.com
- HK Hong Kong**
United Equity Limited
Suite B, 11/F International Industrial
Centre
2-8 Kwei Tei Street, Fotan, Shatin
Phone +852 26876739
Fax +852 26876735
united_equity@sinatown.com
- HR Croatia**
Elektro Partner d.o.o.
Slavonska Avenija 24/6
10000 Zagreb
Phone +385 1 6184793
Fax +385 1 6184795
elektropartner@zg.t-com.hr
- HU Hungary**
Weidmüller Kft
Gubacsi út 6
1097 Budapest
Phone +36 1 3827700
Fax +36 1 3827701
info@weidmueller.hu
- ID Indonesia**
PT. Nego Electrindo
Ruko Mega Grosir Cempaka Mas,
Blok 1 No 20 – 22
Jl. Let.Jend. Suprato –
Jakarta 10640
Phone +62 21 42882255
Fax +62 21 42882266
sales@negoelectrindo.co.id
- IE Ireland**
Please contact Weidmüller Ltd. in
Great Britain
- IL Israel**
A.U.Shay Ltd.
P.O. Box 10049
Embar Street 23/25
Petch-Tikwa 49222
Phone +972 3 9233601
Fax +972 3 9234601
- Israel**
ATEKA Ltd.
23 Hayetzira St.
Kiryat Aryeh
49130 Petch-Tikva, Israel
Phone +972 3 9392344
Fax +972 3 9243273
marketing@ateka.co.il
www.ateka.co.il
- IN India**
Weidmüller Electronics India Pvt. Ltd
Plot # 32, 3rd Floor, North Court
Lane North Avenue, Opp Jagger's Park
Kalyani Nagar, Maharashtra
411006 Pune
Phone +91 9049800960
Nitish.Rajan@weidmueller.de
- IR Iran**
Tamin Ehtiajat Fani Tehran (TAF Co.)
72, Iranshahr Ave.(Unit # 5)
15816 Tehran
Phone +98 21 8831-7851
Fax +98 21 8882-0268
tafco@safineh.net
- IS Iceland**
Samey Automation Center
Lyngas 13, 210 Garoabaer,
Phone +354 510 5200
Fax +354 510 5201
samey@samey.is
- IT Italy**
Weidmüller S.R.L.
Via Albert Einstein 4
20092 Cinisello Balsamo
Milano
Phone +39 02 660681
Fax +39 02 6124945
weidmuller@weidmuller.it
www.weidmuller.it
- JO Jordan**
HORIZONS
P.O.Box: 330607
Amman Jordan 11133
Phone +962 6 4882114
Fax +962 6 4882115
horizons@go.com.jo
- JP Japan**
Nihon Weidmüller Co. Ltd.
Sphere Tower Tennoz,
2-2-8 Higashi-Shinagawa,
Shinagawa-Ku, Tokyo 140-0002
Phone +81 3 6711-5300
Fax +81 3 6711-5333
www.weidmuller.co.jp
- KR Korea**
Weidmüller Korea Co., Ltd.
6floor, Sukyong building, 242-54
Nonhyun-dong, Kangnam-Gu
Seoul, Korea
Zip: 135-830
Phone +82 2 5160003
Fax +82 2 5160090
info@weidmuller.co.kr
- KW Kuwait**
KANA CONTROLS General
Trading & Cont. CO. W.L.L.
Al Rai Industrial Area,
Plot 28-30, St. 31
P.O.Box: 25593
Safat, 13016
Phone +966-474 1373/4
Fax +966-474 1537
info@kanacontrols.com

Group companies **DE**

Agency abroad **DE**

Without own Agency **DE**

LB Lebanon
Progress Engineering & Trading Enterprises
Al Nahr Street
Beirut
Phone +961 1 444664
Fax +961 1 561880
progress@inco.com.lb

LT Lithuania
ELEKTROS IRANGA
Tinklu g.29a, 5319 Panevezys
Phone +370 45582828
Fax +370 45582727
info@eliranga.lt

LU Luxembourg
Please contact Weidmüller
Benelux B.V. in the Netherlands

LV Latvia
SIA "ABI4"
56A Daugavgrivas str.
1007 Riga
Phone +371 67470999
Fax +371 67465637
abi_4@tvnet.lv

MD Moldova
BERHORD A&D srl
44, srt. Sarmizegetusa 37/3
Off 414, b-dul Decebal, 3,
Chisinau, MD 2001
Phone +373 22 507137
Fax +373 22 507134
atuleanu@berhord.com

ME Montenegro
Please contact
ES-YU Elektrosistem in Serbia

MK Macedonia
ELEKTRO – SMK doool
UL. III Makedonska brigada b.b.
1000 Skopje
Phone +389 22 460 295
Fax +389 22 460 298
Elektro-smk@telekabel.net.mk

MT Malta
E. S. S., Electrical Supplies
& Services Ltd
104 J. Sciberras Str.
Hamrun HMR 08
Phone +356 21 255 777
Fax +356 21 255 999
robert@ess.com.mt

MU Mauritius
MUBELO Electrical Ltd
Office 26, Gateway building,
St. Jean Road, Quatre Bornes
Phone +230 498 6410
Fax +230 467 0989
richard.mubelo@orange.mu

MX Mexico
W Interconnections, S.A. DE C.V.
Blvd. Hermanos Serdán No. 698
Col. San Rafael Oriente
Puebla, C.P. 72029
Phone +52 222 22686227
clientes@weidmuller.com.mx

MY Malaysia
Connect Plus Technology Sdn Bhd
No. 43, Jalan PJS 11/22,
Bandar Sunway, 46150 Petaling Jaya
Selangor Darul Ehsan
Phone +60 3 5633 7363
Fax +60 3-5633 6562
paul@cptech.com.my
www.cptech.com.my

NL Netherlands
Weidmüller Benelux B.V.
Franciscusweg 221
1216 SE Hilversum
Postbus 1505
1200 BM Hilversum
Phone +31 35 6261261
Fax +31 35 6232044
info@weidmuller.nl

NO Norway
Siv. Ing. J. F. Knudtzen A/S
Billingstadsletta 97
P.O. Box 160
1378 Nesbru
Phone +47 66 983350
Fax +47 66 980955
firmapost@jfkudtzen.no
www.jfkudtzen.no

NZ New Zealand
Cuthbert S. Steward Limited
27 Te Puni Street
POB 38496
Petone, Wellington
Phone +64 4 5686156
Fax +64 4 5686056
info@weidmueller.de

OM Oman
DAN INTERNATIONAL LLC.
PO.BOX 2901
111 Seeb
Phone +968 503 677
Fax +968 503 755
yedu@danintl.com

PE Peru
TECNOLOGÍA ELÉCTRICA Y
SOLUCIONES S.A.C.
Calle Huandoy 501, Lima 32, Peru
Phone / Fax +51 1 562-0004
info@tecsol-peru.com

Peru
IMGEPRO DEL PERU S.A.C.
Jr. Arequipa 3410, Lima 31, Peru
Phone / Fax +51 1 569-7678
dbernardo@imgepro.com.pe
www.imgepro.pe

PH Philippines
Enclosure Systems Specialists Inc
W-15 La Fuerza Compound
2241 Don Chino Roces Avenue
Makati City 1231
Phone +63 2 813 8580
Fax +63 2 813 8596
sales_encsys@pltdsl.net

PK Pakistan
Kana Controls (Pak)
Apartment No. 33 C III
Chenab Block,
Allama Iqbal Town
Lahore, Pakistan
Phone +92 42 5419948
+92 42 7845160
+92 42 5422895
nadeem@kanapak.com
www.kanapak.com

PL Poland
Weidmüller Sp. z o.o.
Ul. Golezdzinowska 10
03-302 Warszawa
Phone +48 22 5100940
Fax +48 22 5100941
biuro@weidmuller.com.pl
www.weidmuller.pl

PT Portugal
Weidmüller Sistemas de
Interface S. A.
Estrada Outeiro Polima, R. Augusto
Dias da Silva, Lote B, Esc. 2,
2785-515 Aboboda -São Domingos
de Rana
Phone +351 21 4459191
Fax +351 21 4455871
www.weidmueller.pt

QA Qatar
Doha Motors Trading Co.
(Technical Division)
Post Box No. 145
Airport Road
Doha - Qatar
Phone +974 465 1441
Fax +974 465 0925
dmtctech@qatar.net.qa

RO Romania
Rominterface Impex SRL
Str. Gh. Dem Teodorescu 30 A
30916 Bucuresti - sector 3
Phone +40 21 3220230
Fax +40 21 3228857
office@rominterface.ro

RS Serbia
ES-YU Elektrosistem
Pariske komune 41
11070 Novi Beograd, Serbia
Phone +381 11 3018660
Fax +381 11 2693608
esyu@eunet.rs
www.elektrosistem.co.rs

RU Russia
Weidmüller Interface GmbH & Co. KG
Representative Office
Varshavskoye highway, 25A, bld. 6
117105 Moscow
Phone +7 4 95 771-6940
Fax +7 4 95 771-6941
info@weidmueller.ru
www.weidmueller.rus

SA Saudi Arabia
Al Abdulkarim Holding Co.
P.O. Box. 4
Dammam 31411
Phone +9668337110
Fax +9668338242
salehsk@akh.com.sa
www.akte.com.sa

Saudi Electric Supply Co.
P.O. Box 3298
Al Khobar 31952
Phone +966 3 882 9546227
Fax +966 3 882 9547
Safdar.malik@sesco-ge.com

SE Sweden
Weidmüller AB
Axel Daniéssons väg 271
P.O. box 31025
200 49 Malmö
Phone +46 (0) 7 71 43 00 44
Fax +46 (0) 40 37 48 60
info@weidmuller.se
www.weidmuller.se

SG Singapore
Weidmüller Pte. Ltd.
78 Bendemeer Road
#04-03 Luzerne
Singapore 339940
Phone +65 6841 5311
Fax +65 6841 5377
info@weidmuller.com.sg
www.weidmuller.com.sg

SI Slovenia
ELEKTROŠPOJLI d.o.o.
Stegne 25, 1000 Ljubljana
Phone +386 15113810
Fax +386 15111604
info@elektrospojli.si
www.elektrospojli.si

SK Slovakia
ELEKTRIS s.r.o.
Elektrárenská 1
83104 Bratislava
Phone +421 2 49200113
Fax +421 2 49200119
weidmueller@computel.sk

TH Thailand
Pisanu Engineering Co., Ltd
800/43-45 Soi Trakulsuk
Asoke-dindaeng Road,
Dindaeng, Bangkok 10400
Phone +66 2 245 9113
Fax +66 2 6429220
jayasankar@pisanu.co.th
www.pisanu.co.th

TN Tunisia
Please contact
Weidmüller E.U.R.L. in France

TR Turkey
Weidmüller Elektronik Ticaret Ltd.
Sirketi
Kavacik Mah. Orhan Veli Kanik
Caddesi 9/1
34810 Beykoz – İstanbul
Phone +90 216 5371070 (Pbx)
Fax +90 216 5371077
info@weidmuller.com.tr
www.weidmuller.com.tr

TW Taiwan
Fittatek Co., Ltd.
12F No. 165 Fu-Kuo Road,
Tso Ying Dist, Kaohsiung
Phone +886 7 556 0858
Fax +886 7 556 3279
stanley@fittatek.com.tw
www.fittatek.com.tw

Taiwan
Eucan Enterprise Ltd.
No. 145 He Ping 2nd Rd
Kaohsiung
Phone +886 7 715 6610
Fax +886 7 715 8748
mark@eucan.com.tw
www.eucan.com.tw

UA Ukraine
TEKO INTERFACE ooo
ul. Lewanewskogo 6
03058 Kiev
Phone +38 044 401 09 90
Fax +38 044 401 08 64
weidmueller@tekointerface.com
www.tekointerface.com.ua

US United States
W-Interconnections Inc.
821 Southlake Boulevard,
Virginia - Richmond 23236
Phone +1 804 7942877
Fax +1 804 3792593
info@weidmuller.com
www.weidmuller.com

UY Uruguay
REWO Uruguay S.A
Av. Bolivia 2001 Esq Rocafuerte
Carrasco Montevideo 11300
Phone / Fax +598 260 48439
clorda@reworuguay.com.uy

UZ Uzbekistan
OOO "Elektro Potential"
Gani Mavijanovna str., 2B
100084 Tashkent
Phone +998 98-3003821
Fax +998 71-1249286
mz1958@yandex.ru

VE Venezuela
Somierinca C.A.
Quinta Sagrado Corazon de Jesus -
3ra Transversal - Los Dos Caminos,
Caracas 1070 - A
Phone +58 212 2352748
Fax +58 212 2399341
kiocmoeller@cantv.net
www.kmsomerinca.com.ve

VN Vietnam
AUMI Co., Ltd
E1, La Thanh Hotel,
218 Doi Can Street,
Lieu Giai Ward, Ba Dinh District,
Hanoi City
Phone +84 4762 8601
Fax +84 4266 1391
aumi@aumi.com.vn

Linh Kim Hai Co., Ltd
78 Hoa Cuc Street Ward 7,
Phu Thuan District,
Ho Chi Minh City
Phone +84 8517 1717
Fax +84 8517 1818
lkh@linhkimhai.com.vn

New Sky Co., Ltd
44/28 Tan Hai Street,
Ward 13, Tan Binh District,
Ho Chi Minh City
Phone +84 8812 6593
Fax +84 8812 6594
newsy-e@hcm.vnn.vn
www.newsly-e.com

ZA South Africa
Phambili Interface (Pty) Ltd
P.O. Box 193, 1609 Johannesburg
5 Bundo Road, Sebenza
1610 Johannesburg, Endenvale
Phone +27 11 452 1930
Fax +27 11 452 6455
sales@weidmuller.co.za
www.radicinterface.co.za

DE Other countries
Weidmüller Interface GmbH & Co. KG
Postfach 3030
32720 Detmold
Klingenbergstraße 16
32758 Detmold
Phone +49 5231 14-0
Fax +49 5231 14-2083
info@weidmueller.de
www.weidmueller.com

Argentina	Indonesia	Saudi Arabia
Australia	Iran	Serbia
Austria	Ireland	Singapore
Azerbaijan	Israel	Slovakia
Bahrain	Italy	Slovenia
Belarus	Japan	South Africa
Belgium	Jordan	Spain
Bosnia and Herzegovina	Kazakhstan	Sweden
Brazil	Korea	Switzerland
Bulgaria	Kuwait	Taiwan
Canada	Latvia	Thailand
Chile	Lebanon	Tunisia
China	Lithuania	Turkey
Colombia	Luxembourg	Ukraine
Costa Rica	Macedonia	United Arab Emirates
Croatia	Malaysia	United States
Czech Republic	Malta	Uruguay
Denmark	Mexico	Uzbekistan
Ecuador	Moldova	Venezuela
Egypt	Netherlands	Vietnam
Estonia	New Zealand	
Finland	Norway	
France	Oman	
Germany	Pakistan	
Great Britain	Peru	
Greece	Philippines	
Hong Kong	Poland	
Hungary	Portugal	
Iceland	Qatar	
India	Romania	
	Russia	

Weidmüller is a leading international provider of solutions for electrical connectivity, transmission and conditioning of power, signal and data in industrial environments.

The company with headquarters in Detmold/Germany develops, produces and sells products in the field of electrical connectivity and electronics all over the world. Via a network of application specialists Weidmüller offers engineering services and develops application specific solutions.

The complete product and service portfolio consistently assures both Weidmüller and its customers of competitive advantages and an increase in value.

We cannot guarantee that there are no mistakes in the publications or software provided by us to the customer for the purpose of making orders. We try our best to quickly correct errors in our printed media.

All orders are based on our general terms of delivery, which can be reviewed on the websites of our group companies where you place your order. On demand we can also send the general terms of delivery to you.

Order number:
1216200000/01/2011/SMMD

