

Small polycarbonate enclosures

The enclosures of the MPC series are made from polycarbonate, which is particularly ideal for electrical, electro-mechanical and pneumatic devices or circuit boards. The enclosures come with extensive accessories for applications in demanding mechanical and chemical environments.

Features:

- 9 sizes
- Gray or transparent cover
- Cover with sealing holes
- Mounting holes located outside of the sealed area
- Threaded holes for mounting rails, mounting plates and PCBs

Our assembly service can supply these enclosures preassembled with terminals and cable glands according to customer requirements.



Technical data

| | |
|--------------------|---|
| Material | Polycarbonate |
| Cover | Transparent or gray |
| Surface | Gray, similar to RAL 7035 |
| Gasket | Foamed polyurethane |
| Cover fixing | 4 crosshead screws (polyamide) |
| Enclosure mounting | 4 holes Ø 4.5 or external fixing lugs (accessories) |
| Equipment mounting | Self-tapping screws |
| Protection class | IP 66 and IP 67 |
| Temperature range | -50 °C to +130 °C |

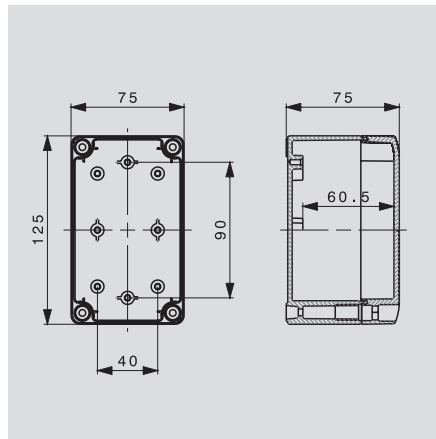
Overview of enclosures

| | | | | | | |
|-------------------|-------------------|-------------------|-------------------|-------------------|-------------------|-------------------|
| Type H x W x D | 75 x 125 x 75 | 75 x 125 x 125 | 125 x 125 x 75 | 125 x 175 x 75 | 125 x 175 x 100 | 125 x 175 x 125 |
| Gray cover | 9535170000 | 9535210000 | 9535230000 | 9535290000 | 9535310000 | 9535330000 |
| Transparent cover | 9535180000 | 9535220000 | 9535240000 | 9535300000 | 9535320000 | 9535340000 |
| Type H x W x D | 175 x 175 x 75 | 175 x 175 x 150 | 175 x 250 x 100 | | | |
| Gray cover | 9535370000 | 9535430000 | 9535470000 | | | |
| Transparent cover | 9535380000 | 9535440000 | 9535480000 | | | |

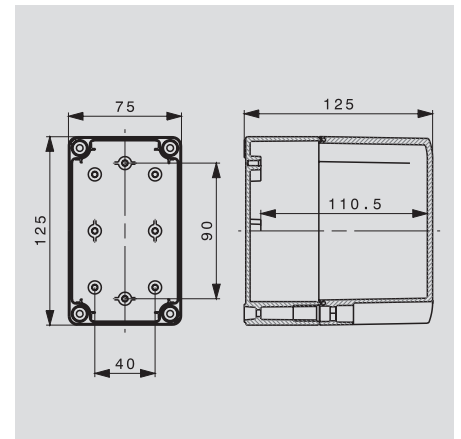
Small polycarbonate enclosure



MPC 07/12/07



MPC 07/12/12



Height x Width x Depth mm (in)

125 x 75 x 75 (4.92 x 2.95 x 2.95)

125 x 75 x 125 (4.92 x 2.95 x 4.92)

Technical data

| Dimensions | |
|----------------|----|
| Interior depth | mm |
| Weight | g |
| Cable entries | |
| M16 | |
| M20 | |
| M25 | |

| Top / Bottom | Left / Right |
|--------------|--------------|
| 1 | 3 |
| 1 | 3 |

| Top / Bottom | Left / Right |
|--------------|--------------|
| 1 | 3 |
| 1 | 3 |

| Terminal equipment content | |
|----------------------------|--|
| WDU 2,5 / ZDU 2,5 | |
| WDU 4 / ZDU 4 | |
| WDU 6 / ZDU 6 | |
| WDU 10 / ZDU 10 | |

| |
|--|
| |
| |
| |
| |

| |
|------|
| 1x13 |
| 1x11 |
| 1x8 |
| 1x6 |

Note

Ordering data

| |
|--------------------------------|
| Enclosure with gray lid |
| Enclosure with transparent lid |

| Type | Order No. |
|-------------------|------------|
| MPC 07/12/07 7035 | 9535170000 |
| MPC 07/12/07 trsp | 9535180000 |

| Type | Order No. |
|-------------------|------------|
| MPC 07/12/12 7035 | 9535210000 |
| MPC 07/12/12 trsp | 9535220000 |

Note

Accessories

| Mounting plate | |
|--------------------|-------------|
| 1.5 mm sheet steel | zinc-plated |

| Type | Qty. | Order No. |
|--------------|------|------------|
| MP MPC 07/12 | 10 | 9535540000 |

| Type | Qty. | Order No. |
|--------------|------|------------|
| MP MPC 07/12 | 10 | 9535540000 |

| Other accessories | |
|----------------------|----------------------|
| External fixing lugs | Set of 4 pieces each |
| Hinges | Set of 2 pieces each |

| | | |
|--------|---|------------|
| MF MPC | 1 | 9535600000 |
| HG MPC | 1 | 9535590000 |

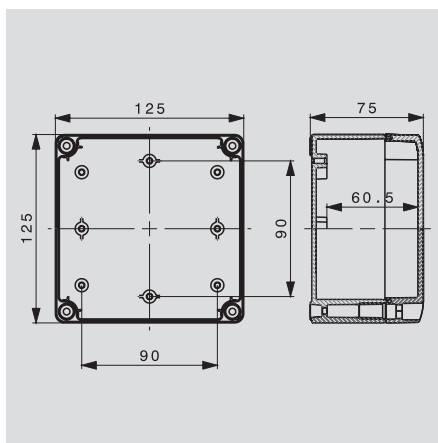
| | | |
|--------|---|------------|
| MF MPC | 1 | 9535600000 |
| HG MPC | 1 | 9535590000 |

Note

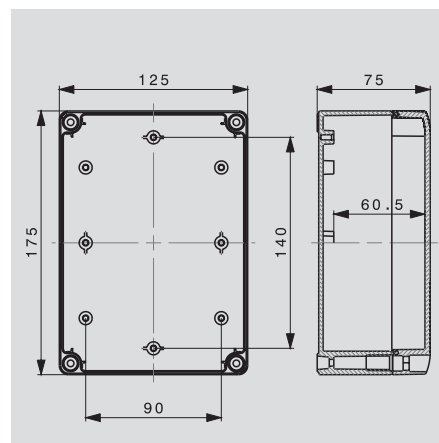
Small polycarbonate enclosure



MPC 12/12/07



MPC 12/17/07



Height x Width x Depth mm (in)

125 x 125 x 75 (4.92 x 4.92 x 2.95)

175 x 125 x 75 (6.89 x 4.92 x 2.95)

Technical data

| Dimensions | |
|----------------|----|
| Interior depth | mm |
| Weight | g |
| Cable entries | |
| M16 | |
| M20 | |
| M25 | |

| 55 | |
|--------------|--------------|
| 283 | |
| Top / Bottom | Left / Right |
| 3 | 3 |
| 3 | 3 |

| 55 | |
|--------------|--------------|
| 381 | |
| Top / Bottom | Left / Right |
| 3 | 4 |
| 3 | 4 |

| Terminal equipment content |
|----------------------------|
| WDU 2,5 / ZDU 2,5 |
| WDU 4 / ZDU 4 |
| WDU 6 / ZDU 6 |
| WDU 10 / ZDU 10 |

Note

Ordering data

| |
|--------------------------------|
| Enclosure with gray lid |
| Enclosure with transparent lid |

| Type | Order No. |
|-------------------|------------|
| MPC 12/12/07 7035 | 9535230000 |
| MPC 12/12/07 trsp | 9535240000 |

| Type | Order No. |
|-------------------|------------|
| MPC 12/17/07 7035 | 9535290000 |
| MPC 12/17/07 trsp | 9535300000 |

Note

Accessories

| Mounting plate |
|--------------------------------|
| 1.5 mm sheet steel zinc-plated |

| Type | Qty. | Order No. |
|--------------|------|------------|
| MP MPC 12/12 | 10 | 9535550000 |

| Type | Qty. | Order No. |
|--------------|------|------------|
| MP MPC 12/17 | 10 | 9535560000 |

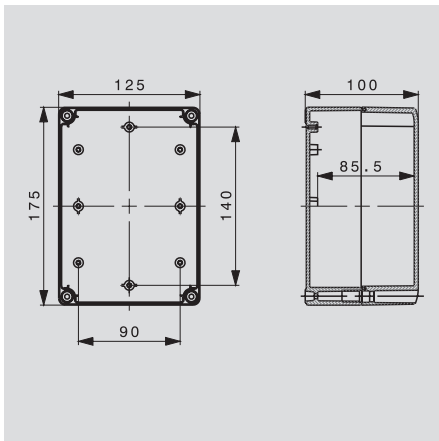
| Other accessories | |
|----------------------|----------------------|
| External fixing lugs | Set of 4 pieces each |
| Hinges | Set of 2 pieces each |

| | | |
|--------|---|------------|
| MF MPC | 1 | 9535600000 |
| HG MPC | 1 | 9535590000 |

| | | |
|--------|---|------------|
| MF MPC | 1 | 9535600000 |
| HG MPC | 1 | 9535590000 |

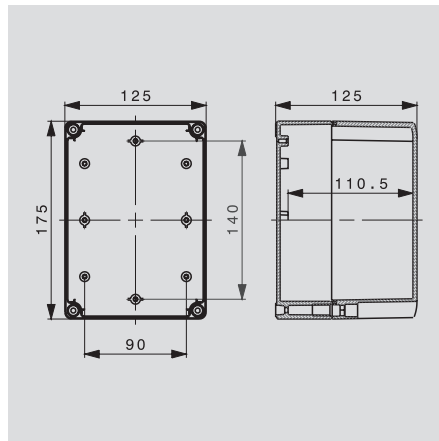
Note

MPC 12/17/10



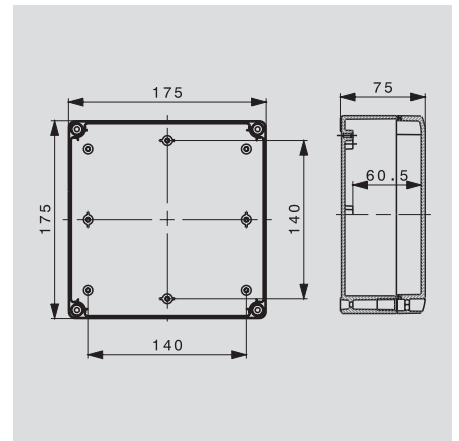
175 x 125 x 100 (6.89 x 4.92 x 3.94)

MPC 12/17/12



175 x 125 x 125 (6.89 x 4.92 x 4.92)

MPC 17/17/07



175 x 175 x 75 (6.89 x 6.89 x 2.95)

| 80 | |
|--------------|--------------|
| 465 | |
| Top / Bottom | Left / Right |
| 3 | 4 |
| 3 | 4 |

| 105 | |
|--------------|--------------|
| 530 | |
| Top / Bottom | Left / Right |
| 3 | 4 |
| 3 | 4 |

| 55 | |
|--------------|--------------|
| 461 | |
| Top / Bottom | Left / Right |
| 4 | 4 |
| 4 | 4 |

| |
|------|
| 1x22 |
| 1x19 |
| 1x14 |
| 1x11 |

| |
|------|
| 1x22 |
| 1x19 |
| 1x14 |
| 1x11 |

| |
|--|
| |
| |
| |
| |

| Type | Order No. |
|-------------------|------------|
| MPC 12/17/10 7035 | 9535310000 |
| MPC 12/17/10 trsp | 9535320000 |

| Type | Order No. |
|-------------------|------------|
| MPC 12/17/12 7035 | 9535330000 |
| MPC 12/17/12 trsp | 9535340000 |

| Type | Order No. |
|-------------------|------------|
| MPC 17/17/07 7035 | 9535370000 |
| MPC 17/17/07 trsp | 9535380000 |

| Type | Qty. | Order No. |
|--------------|------|------------|
| MP MPC 12/17 | 10 | 9535560000 |
| MF MPC | 1 | 9535600000 |
| HG MPC | 1 | 9535590000 |

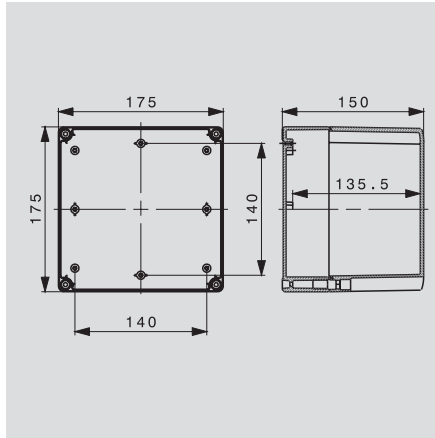
| Type | Qty. | Order No. |
|--------------|------|------------|
| MP MPC 12/17 | 10 | 9535560000 |
| MF MPC | 1 | 9535600000 |
| HG MPC | 1 | 9535590000 |

| Type | Qty. | Order No. |
|--------------|------|------------|
| MP MPC 17/17 | 10 | 9535570000 |
| MF MPC | 1 | 9535600000 |
| HG MPC | 1 | 9535590000 |

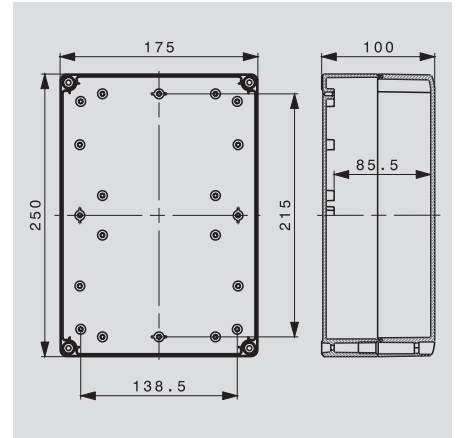
Small polycarbonate enclosure



MPC 17/17/15



MPC 17/25/10



Height x Width x Depth mm (in)

175 x 175 x 150 (6.89 x 6.89 x 5.90)

250 x 175 x 100 (9.84 x 6.89 x 3.94)

Technical data

| Dimensions | |
|----------------|----|
| Interior depth | mm |
| Weight | g |
| Cable entries | |
| M16 | |
| M20 | |
| M25 | |

| 130 | |
|--------------|--------------|
| 717 | |
| Top / Bottom | Left / Right |
| 4 | 4 |
| 4 | 4 |

| 80 | |
|--------------|--------------|
| 743 | |
| Top / Bottom | Left / Right |
| 4 | 7 |
| 4 | 6 |

| Terminal equipment content | |
|----------------------------|--|
| WDU 2,5 / ZDU 2,5 | |
| WDU 4 / ZDU 4 | |
| WDU 6 / ZDU 6 | |
| WDU 10 / ZDU 10 | |

| | |
|------|--|
| 1x22 | |
| 1x19 | |
| 1x14 | |
| 1x11 | |

| | |
|------|--|
| 1x37 | |
| 1x31 | |
| 1x23 | |
| 1x19 | |

Note

Ordering data

| | |
|--------------------------------|--|
| Enclosure with gray lid | |
| Enclosure with transparent lid | |

| Type | Order No. |
|-------------------|------------|
| MPC 17/17/15 7035 | 9535430000 |
| MPC 17/17/15 trsp | 9535440000 |

| Type | Order No. |
|-------------------|------------|
| MPC 17/25/10 7035 | 9535470000 |
| MPC 17/25/10 trsp | 9535480000 |

Note

Accessories

| Mounting plate | |
|--------------------|-------------|
| 1.5 mm sheet steel | zinc-plated |

| Type | Qty. | Order No. |
|--------------|------|------------|
| MP MPC 17/17 | 10 | 9535570000 |

| Type | Qty. | Order No. |
|--------------|------|------------|
| MP MPC 17/25 | 10 | 9535580000 |

| Other accessories | |
|----------------------|----------------------|
| External fixing lugs | Set of 4 pieces each |
| Hinges | Set of 2 pieces each |

| | | |
|--------|---|------------|
| MF MPC | 1 | 9535600000 |
| HG MPC | 1 | 9535590000 |

| | | |
|--------|---|------------|
| MF MPC | 1 | 9535600000 |
| HG MPC | 1 | 9535590000 |

Note