

**Do you operate in industrial or harsh environments
We offer protection for equipment and control
components
Let's connect.**

Klippon® POK



Klippon® POK – Polyester Enclosures

Universal terminal boxes for standard industrial applications and for potentially explosive atmospheres in Zones 1 and 2, 21 and 22

The Klippon® POK enclosure range is made from a high-quality glass fibre reinforced polyester and is ideal for applications and environments where corrosion resistance, impact resistance and a high IP protection class is a requirement.

Key Features:

- Manufactured from glass fibre reinforced polyester
- Available in 17 sizes
- Two standard finishes (colours)
 - Grey, similar to RAL 7001 (industrial use)
 - Black, similar to RAL 9011 (harsh environments, Ex)
- Captive lid fixing screws are stainless steel
- Fixing holes are located outside of the lid sealing area to ensure high ingress protection of IP66
- Threaded holes for internal component mounting
- Silicone sealing for extreme temperature environments
- Impact resistance up to 10 Joules
- Approved to the latest international standards, including EN62208 and IEC EN 60079

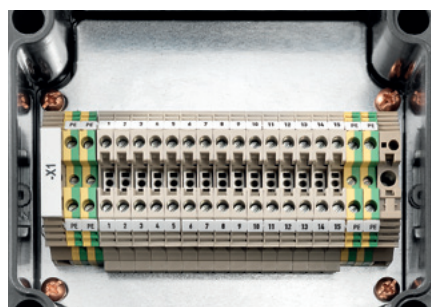
Cross-head screws

The enclosure lid is secured with stainless steel captive cross-head screws. Handling the enclosure is made simple. A single tool is the only requirement for quick and easy installation.



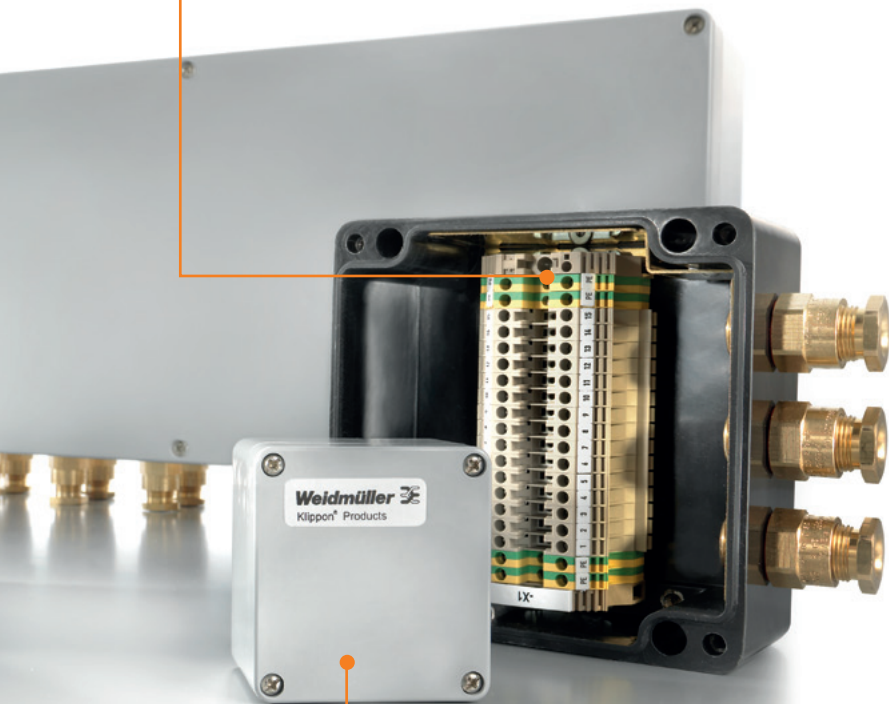
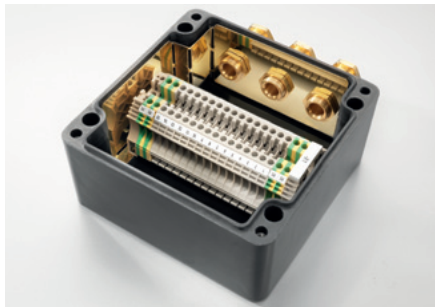
Mounting plates

Internal mounting plates for the installation of terminal rails, terminal blocks or other equipment are available.



Brass Earth Continuity Plate

An angled design made to complement the Klippon® POK enclosures installed in potentially explosive atmospheres. The brass earth continuity plate is available as an optional accessory.



Earth kit

The Klippon® POK Ex enclosures are designed for applications installed in potentially explosive atmospheres. An M6 or M10 internal/external earth kit is available as an optional accessory.



Other Colour

Grey, similar to RAL7001
 Black, similar to RAL 9011
 Other colours are available on request (subject to a minimum order quantity).



Enclosure wall fixing (direct or via mounting lugs)

The fixing positions of each enclosure are located outside of the sealing area. The enclosure can be fastened directly via fixing holes found on the rear side of the enclosure or alternatively, it is possible to secure the enclosure from the outside by means of mounting lugs that are separately available.



Closed moulded sealing

Robust and secure sealing increases the performance of each enclosure with enhanced ingress protection.

The Klippon® POK enclosures are supplied as standard with a removable and replaceable moulded gasket.

Available in either silicone or chloroprene material and depending upon the enclosure type they are adapted to the contour of each enclosure to ensure ingress performance is maintained.

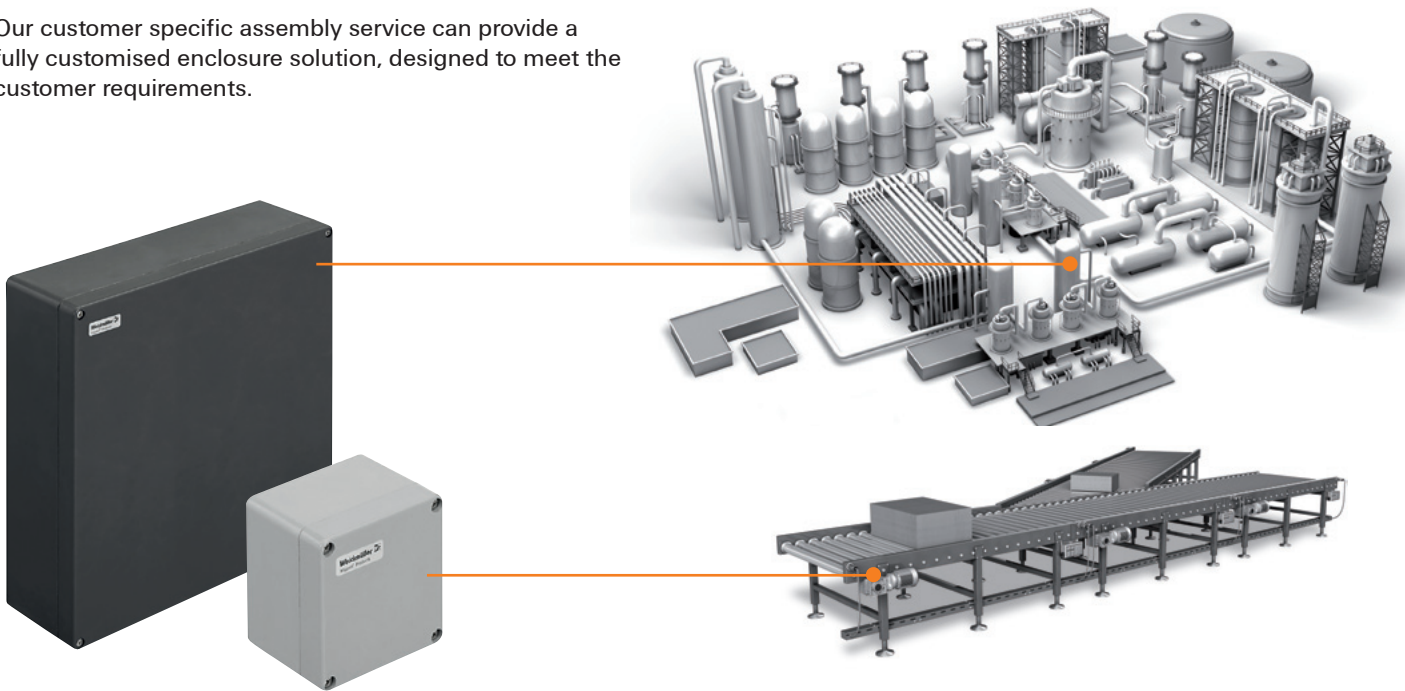


Klippon® POK – Polyester enclosures

The Klippon® POK range of polyester enclosures are designed to protect and integrate with general purpose electrical and electronic equipment as well as control components in harsh environments or potentially explosive atmospheres.

Designed to meet the rigorous demands of industrial automation or process control and energy industries and with signal and component protection in mind, the Klippon POK enclosure range is designed to meet the customers' application needs.

Our customer specific assembly service can provide a fully customised enclosure solution, designed to meet the customer requirements.



Overview of enclosures

Ordering data

Description	Dimensions in mm	Standard grey finish	Ex Enclosures black finish	Reference product
Klippon® POK 080806	75 x 80 x 55	1305810000	1306000000	Klippon® POK 1
Klippon® POK 081106	75 x 110 x 56	1305820000	1306010000	Klippon® POK 2
Klippon® POK 081606	75 x 160 x 56	1305830000	1306020000	Klippon® POK 3
Klippon® POK 081906	75 x 190 x 55	1305840000	1306030000	Klippon® POK 31
Klippon® POK 082306	75 x 230 x 56	1305850000	1306040000	Klippon® POK 32
Klippon® POK 121209	120 x 122 x 90	1305870000	1306050000	Klippon® POK 4
Klippon® POK 122209	120 x 220 x 90	1305880000	1306070000	Klippon® POK 5
Klippon® POK 161609	160 x 160 x 90	1305890000	1306080000	Klippon® POK 51
Klippon® POK 162609	160 x 260 x 90	1305900000	1306090000	Klippon® POK 6
Klippon® POK 163609	160 x 360 x 90	1305910000	1306100000	Klippon® POK 7
Klippon® POK 165609	160 x 560 x 90	1305920000	1306110000	Klippon® POK 71
Klippon® POK 252512	250 x 255 x 120	1305930000	1306120000	Klippon® POK 8
Klippon® POK 252516	250 x 255 x 160.5	1305980000	1306170000	Klippon® POK 11
Klippon® POK 254012	250 x 400 x 120	1305940000	1306130000	Klippon® POK 9
Klippon® POK 254016	250 x 400 x 160.5	1305990000	1306180000	Klippon® POK 12
Klippon® POK 256012	250 x 600 x 120	1305950000	1306140000	Klippon® POK 91
Klippon® POK 404012	405 x 400 x 120	1305970000	1306150000	Klippon® POK 10

Note

Technical data

Features

- For use in potentially explosive atmospheres and industrial applications
- Extremely robust with a high impact resistance
- Approved to the latest international standards
- M4 or M6 mounting elements integrated into enclosure body for installation of mounting plates, mounting rails, printed circuit boards etc.

Note: The enclosure range Klippon® POK can be assembled with terminals or other approved equipment by our locally available Application-Specific Solutions service. Please ask us for more details.

	Ex	Standard
Enclosure material	Glass fibre-reinforced polyester to DIN 16913 with added graphite	Glass fibre-reinforced polyester to DIN 16913
Surface	Black, similar to RAL 9011	Grey, similar to RAL7001
IP Rating	IP 66	IP 66
NEMA Rating		*
Equipment mounting	M4 to M6 threaded bushes	M4 to M6 threaded bushes
Enclosure mounting	4 holes for M4 to M6 screw	4 holes for M4 to M6 screw
Lid fixing	M4/M6 slothead / crosshead screws from stainless steel	M4/M6 slothead / crosshead screws from stainless steel
Impact Resistance	7J	7J
Gasket material	Silicone (VMQ)	Chloroprene
Temperature range	-55 °C...+100 °C	-40 °C...+100 °C
Torque screws of lid M4	2.0 - 2.5 Nm	2.0 - 2.5 Nm
Torque screws of lid M6	2.5 - 3.0 Nm	2.5 - 3.0 Nm
Surface resistance (in ohms)	< 10 ⁹ Ohm	10 ¹² Ohm
Flammability	UL 94 V0, self extinguishing	UL 94 V0, self extinguishing
Toxicity	Halogen and cadmium-free	Halogen and cadmium-free

Note

Approvals for empty enclosures

	Ex	Standard
Empty Enclosure Standard	Ex EN 62208	Standard EN 62208
ATEX certificate	IBExU 13ATEX1003 U	
ATEX marking	⊕ II 2G Ex e IIC Gb or ⊕ II 2G Ex eb IIC ⊕ II 2D Ex tb IIIC Db or ⊕ II 2D Ex tb IIC	
IECEX certificate	IECEX IBE 13.0003U	
IECEX marking	Ex e IIC Gb or Ex eb IIC Ex tb IIIC Db or Ex tb IIC	
GOST Ex	*	
GOST	*	*
cULus		*
Lloyds Register		*
Russian Maritime Register	*	*
Germanischer Lloyd		*
Installation	The Klippon® POK enclosure range can be pre-fitted according to your wishes; as an example, terminals, or other approved components, can be installed as required. Please ask for more details.	

Note

This enclosure range is component certified. An additional certification is required, when other equipment will be installed into the enclosure.
*Approvals pending

Approvals terminal enclosures

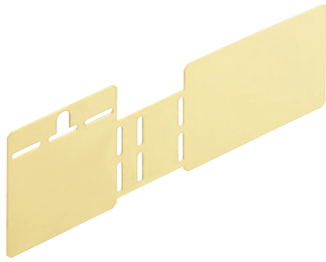
	Ex	Standard
ATEX certificate	IBExU13ATEX1004	
ATEX marking	⊕ II 2G Ex e IIC T6...T5 Gb or ⊕ II 2G Ex eb IIC T6...T5 ⊕ II 1G Ex ia IIC T6...T5 Ga or ⊕ II 1G Ex ia IIC T6...T5 ⊕ II 2(1)G Ex e ia IIC T6...T5 Gb or ⊕ II 2(1)G Ex eb ia IIC T6...T5 ⊕ II 2D Ex tb IIIC T 85 °C...100 °C Db or ⊕ II 2D Ex tb IIIC T 85 °C...100 °C	
IECEX certificate	IECEX IBE 13.0004X	
IECEX marking	Ex e IIC T6...T5 Gb or Ex eb IIC T6...T5 Ex ia IIC T6...T5 Gb or Ex ia IIC T6...T5 Ex e ia IIC T6...T5 Gb or Ex eb ia IIC T6...T5 Ex tb IIIC T 85 °C...100 °C Db or Ex tb IIIC T 85 °C...100 °C	

Note

If you have specific requirements for installations within potentially explosive atmospheres, please contact Weidmüller for a copy of the approval certificates.

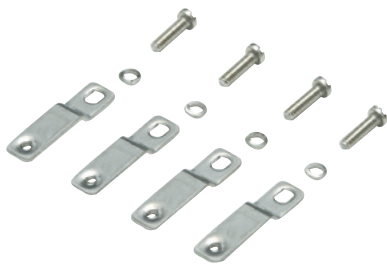
Overview

Accessories



Description	Dimensions	Qty.	Order No.
Brass Earth Continuity Plate	Height x Width x Depth in mm		
KLIPPON COPL 080806	32,5 x 101 x 0,8	1	1390910000
KLIPPON COPL 081106	33,5 x 131 x 0,8	1	1390920000
KLIPPON COPL 081606	33,5 x 181 x 0,8	1	1390930000
KLIPPON COPL 081906	32,5 x 211 x 0,8	1	1390940000
KLIPPON COPL 082306	33,5 x 258 x 0,8	1	1390950000
KLIPPON COPL 121209	57,5 x 177 x 0,8	1	1390970000
KLIPPON COPL 122209	57,5 x 275 x 0,8	1	1390980000
KLIPPON COPL 161609	60,5 x 239 x 0,8	1	1390990000
KLIPPON COPL 162609	60,5 x 339 x 0,8	1	1391000000
KLIPPON COPL 163609	60,5 x 438 x 0,8	1	1391010000
KLIPPON COPL 165609	60,5 x 656 x 0,8	1	1391020000
KLIPPON COPL 252512/16	85,5 x 424 x 0,8	1	1391030000
KLIPPON COPL 254012/16	85,5 x 567 x 0,8	1	1391040000
KLIPPON COPL 256012	85,5 x 785 x 0,8	1	1391050000
KLIPPON COPL 404012	85,5 x 722 x 0,8	1	1391070000

Note: Two sided design - for complete internal coverage - two pieces required



Description	For Enclosure	Qty.	Order No.
External mounting lugs	Dimensions		
MF Klippon® POK small	KLIPPON POK 80806, 081106, 081606, 081906, 082306	Set of 4 pieces	9510900000
MF Klippon® POK big	KLIPPON POK 121209 and larger	Set of 4 pieces	9510910000

Accessories



Description	Dimensions	Qty.	Order No.
Mounting plate, Steel sheet zinc plated	Height x Width x Depth in mm		
KLIPPON POK MOPL 0808	64 x 69 x 1.5	1	9510570000
KLIPPON POK MOPL 0811	64 x 99 x 1.5	1	9510580000
KLIPPON POK MOPL 0816	64 x 148,5 x 1.5	1	9510680000
KLIPPON POK MOPL 0819	64 x 179 x 1.5	1	9510690000
KLIPPON POK MOPL 1212	107 x 109 x 1.5	1	9510590000
KLIPPON POK MOPL 1222	107 x 207 x 1.5	1	9510600000
KLIPPON POK MOPL 1616	143 x 145 x 1.5	1	9510610000
KLIPPON POK MOPL 1626	143 x 245 x 1.5	1	9510620000
KLIPPON POK MOPL 1636	143 x 345 x 1.5	1	9510630000
KLIPPON POK MOPL 1656	143 x 545 x 1.5	1	9510710000
KLIPPON POK MOPL 2525	233 x 238 x 1.5	1	9510640000
KLIPPON POK MOPL 2540	234 x 384 x 1.5	1	9510650000
KLIPPON POK MOPL 2560	233 x 583 x 1.5	1	9510660000
KLIPPON POK MOPL 4040	389 x 383 x 1.5	1	9510670000



Description	Dimensions	Surface	Qty.	Order No.
internal/external earth kit				
Klippon® PEBZ M10 BR SET	M10	Brass	1	1277220000
Klippon® PEBZ M10 S4 SET	M10	Stainless Steel	1	1283440000
Klippon® PEBZ M6 BR SET	M6	Brass	1	1277250000
Klippon® PEBZ M6 S4 SET	M6	Stainless Steel	1	1283430000

Weidmüller – Your partner in Industrial Connectivity

As experienced experts we support our customers and partners around the world with products, solutions and services in the industrial environment of power, signal and data. We are at home in their industries and markets and know the technological challenges of tomorrow. We are therefore continuously developing innovative, sustainable and useful solutions for their individual needs. Together we set standards in Industrial Connectivity.

Weidmüller Interface GmbH & Co. KG
Klingenbergstraße 16
32758 Detmold, Germany
T +49 5231 14-0
F +49 5231 14-292083
info@weidmueller.com
www.weidmueller.com

Your local Weidmüller partner can
be found on our website:
www.weidmueller.com/countries

Made in Germany



Order number: 1466030000/06/2013/SMKW