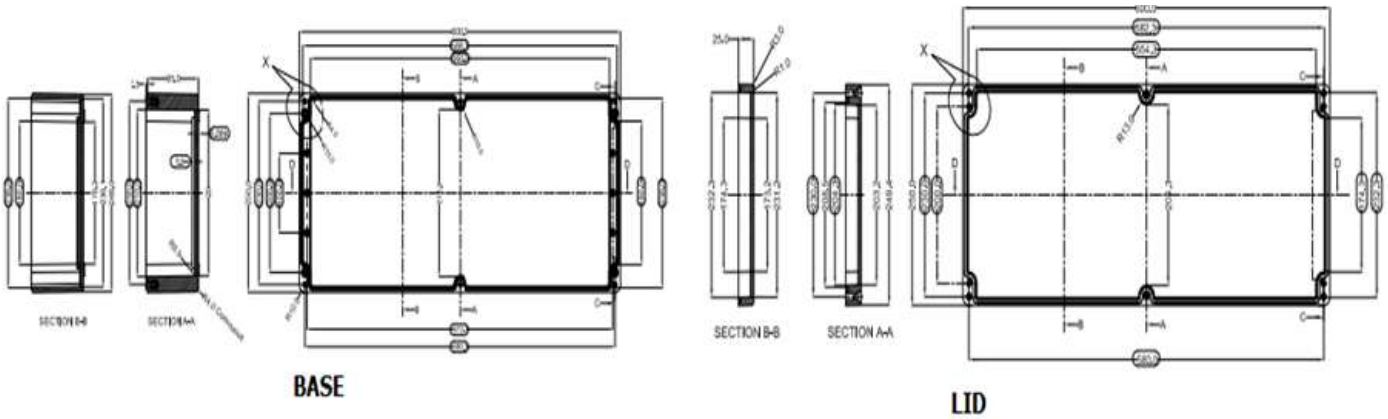


# GRJ20



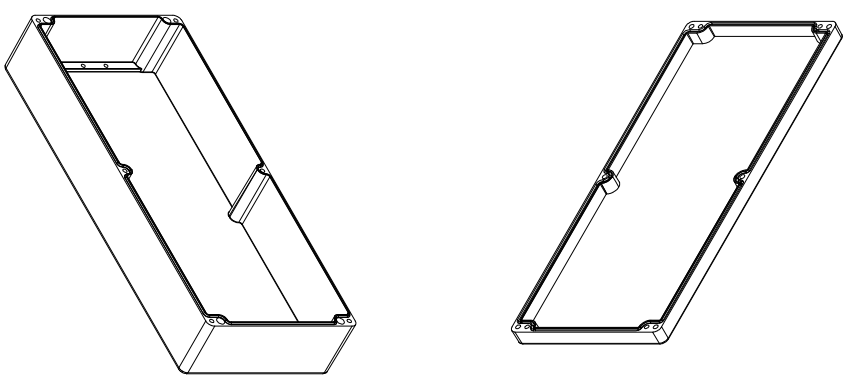
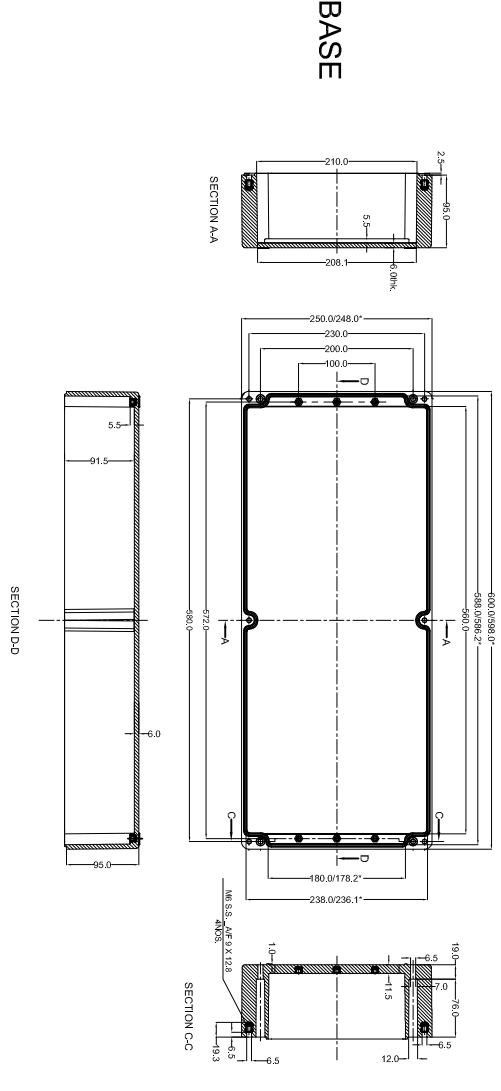
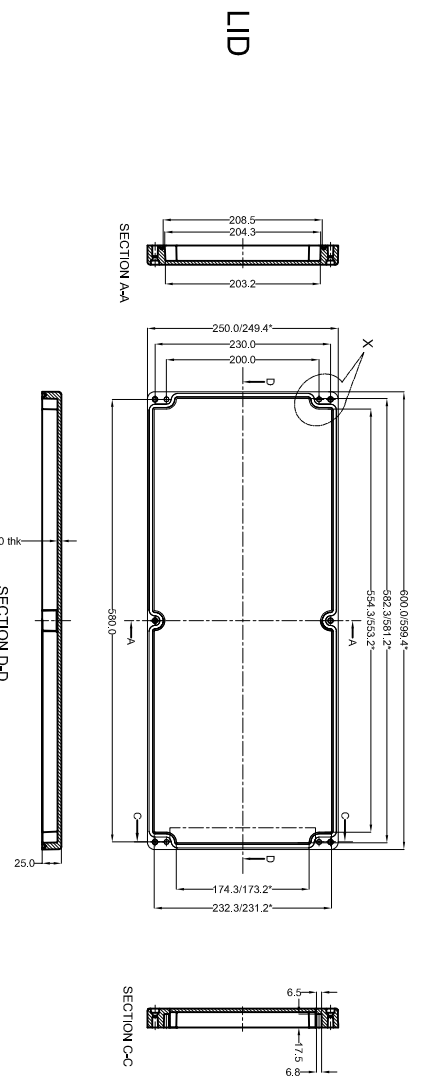
| PRODUCT SPECIFICATION - STANDARD |                 |
|----------------------------------|-----------------|
| Dim (LxWxH):                     | 600 x 250 x 121 |
| Model No:                        | GRJ20           |
| Order No :                       | GRJ20           |

| TECHNICAL SPECIFICATION | GREY                                   | BLACK                                       |
|-------------------------|--|---|
| Colour                  | RAL 7000                               | Similar to RAL 9011                         |
| Material                | Glass Fiber Reinforced Polyester       | Glass Reinforced Polyester - Graphite Added |
| Gasket:                 | Neoprene                               | Silicone                                    |
| Surface Resistance      | > 10 <sup>12</sup> Ohm                 | < 10 <sup>9</sup> Ohm                       |
| Service Temperature     | - 40°C to +80°C                        | -60°C to +110°C                             |
| Lid Screw               | Captive Screw - SS1.4301 (A2) – M6     |   |
| Tightening Torque:      | 4 Nm                                   |   |
| Protection              | IP 66, EN 60529                        |   |
| Impact Strength         | Impact Energy > 7 Joules, EN 60079     |   |
| Flammability            | Self Extinguishing, UL 94 V0           |   |
| Process Control System  | ISO 9001 - 2015, IEC 80079 - 34 - 2011 |   |

| AVAILABLE ON DEMAND        |      |
|----------------------------|------|
| DIN Rail                   | TS35 |
| Mounting Plate             | Yes  |
| External Mounting Brackets | Yes  |
| Hinges                     | No   |
| Alter Lid Screw            | Yes  |
| Sealable Lid screw         | Yes  |

\* = Conical form tapering downward.  
 Untoleranced dimensions per DIN 16901-140

| OPTIONAL ACCESSORIES    |      |              |
|-------------------------|------|--------------|
| PART NAME               | QTY. | AVAILABILITY |
| MOUNTING PLATE          | 1    | Y            |
| EXTERNAL HINGE          | 1    | Y            |
| INTERNAL HINGE          | -    | N            |
| MOUNTING BRACKETS       | 4    | Y            |
| NEOPRENE/SILICON GASKET | 1    | Y            |
| DIN RAIL TS15           | -    | N            |
| DIN RAIL TS35           | 1    | Y            |



PROPERTY OF RaychemRPg (P) LTD.  
 ALL RIGHTS RESERVED AND/OR PHOTOCOPIING THIS DOCUMENT  
 TO A PERSON WITHOUT RaychemRPg (P) LTD. WRITTEN AUTHORIZATION IS PROHIBITED

| Sr.No. | Drawing no.      | RM Grade   | Finish        |
|--------|------------------|------------|---------------|
| 2      | GJB-600250121-02 | SMC-808-30 | BLACK RAL9011 |
| 1      | GJB-600250121-01 | SMC-405-23 | GREY RAL7000  |

| NO. | REV. NO. | DESCRIPTION | DATE | DRAWN | CHECKED |
|-----|----------|-------------|------|-------|---------|
|     |          |             |      |       |         |

|          |             |            |          |      |                 |
|----------|-------------|------------|----------|------|-----------------|
| QUANTITY | MATERIAL :- | MACH. NAME | DATE     | SIGN | NAME            |
|          | <b>GRP</b>  |            | 09/01/14 |      | ERP L DESIGN    |
|          |             |            | 09/01/14 |      | MANOJ DRAWN     |
|          |             |            |          |      | PAYAN CHECKED   |
|          |             |            |          |      | I.E.S. APPROVED |

|           |        |        |                  |
|-----------|--------|--------|------------------|
| TOLERANCE | WEIGHT | FINISH | TITLE :-         |
| ±0.5      |        |        | GRP JUNCTION BOX |
| ±0.2      |        |        | 600X250X121      |
| ±1.0°     |        |        |                  |

|   |                |                 |
|---|----------------|-----------------|
| Raychem Rpg (P) Limited   | SCALIB PARTNO. | DRG. NO.        |
| Ceat Mahal Annex,<br>Dr. Arnie Bessant Road,<br>Ward, Mumbai 400030<br>Web : www.raychemrpg.com |                | GJB-600250121-0 |