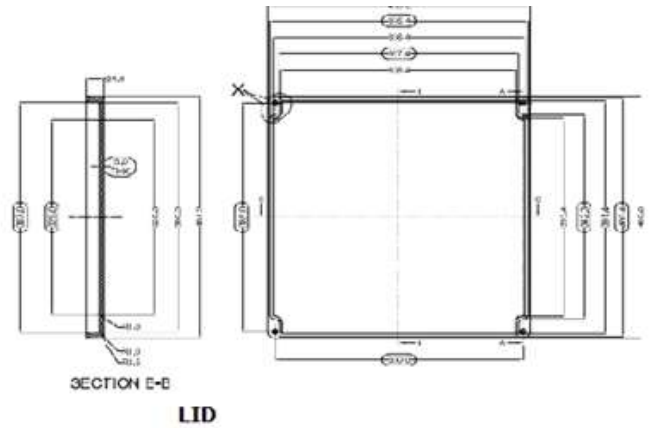
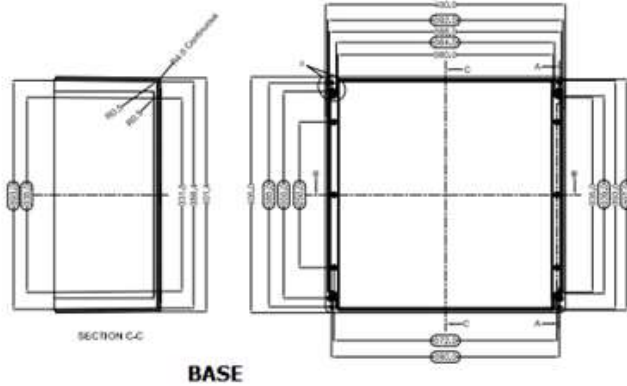


GRJ19



PRODUCT SPECIFICATION - STANDARD

Dim (LxWxH):	400 x 405 x 201
Model No:	GRJ19
Order No :	GRJ19

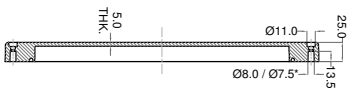
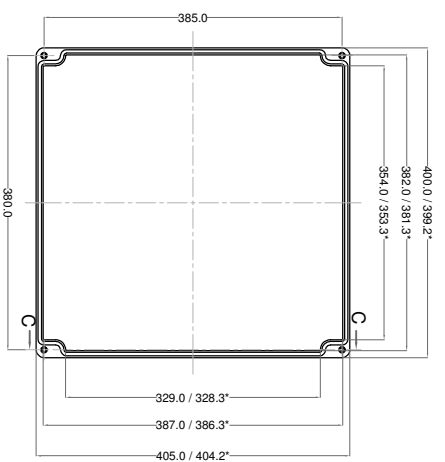
TECHNICAL SPECIFICATION	GREY	BLACK
Colour	RAL 7000	Similar to RAL 9011
Material	Glass Fiber Reinforced Polyester	Glass Reinforced Polyester - Graphite Added
Gasket:	Neoprene	Silicone
Surface Resistance	> 10 ¹² Ohm	< 10 ⁹ Ohm
Service Temperature	- 40°C to +80°C	-60°C to +110°C
Lid Screw	Captive Screw - SS1.4301 (A2) – M6	
Tightening Torque:	3-4 Nm	
Protection	IP 66, EN 60529	
Impact Strength	Impact Energy > 7 Joules, EN 60079	
Flammability	Self Extinguishing, UL 94 V0	
Process Control System	ISO 9001 - 2015, IEC 80079 - 34 - 2011	

AVAILABLE ON DEMAND

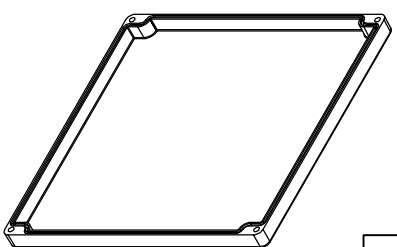
DIN Rail	TS35
Mounting Plate	Yes
External Mounting Brackets	Yes
Hinges	No
Alter Lid Screw	Yes
Sealable Lid screw	Yes

* = Conical form tapering downward.
 Untoleranced dimensions per DIN 16901-140

LID

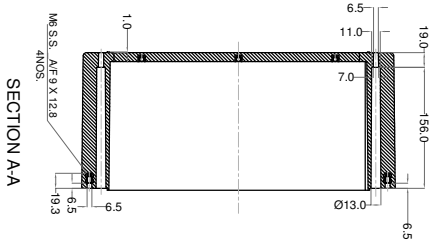
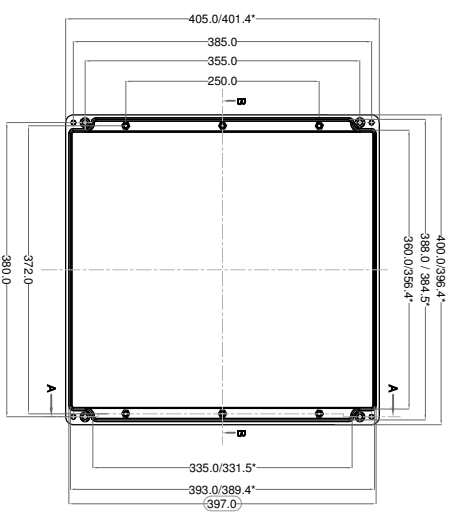


SECTION C-C

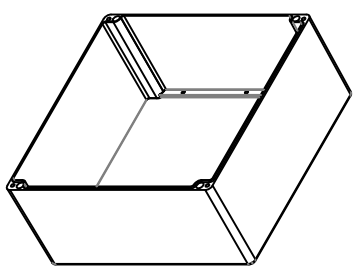


OPTIONAL ACCESSORIES		
PART NAME	QTY	AVAILABILITY
MOUNTING PLATE	1	Y
EXTERNAL HINGE	1	Y
INTERNAL HINGE	-	N
MOUNTING BRACKETS	4	Y
NEOPRENE/SILICON GASKET	1	Y
DIN RAIL TS15	-	N
DIN RAIL TS35	1	Y

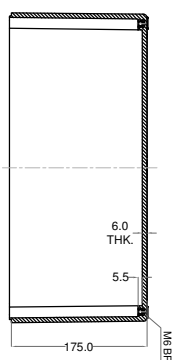
BASE



SECTION A-A



SECTION B-B



Sl.No.	Drawing no.	RM Grade	Finish
2	GJB-405400201-02	GRP-30	BLACK RAL9011
1	GJB-405400201-01	GRP-23	GREY RAL7000

NO. REV. NO.	DESCRIPTION	DATE	DRAWN	CHECKED

QUANTITY	MATERIAL :-	MACH. NAME	DATE	SIGN	NAME
	GRP		09/01/14		ERP L DESIGN
			09/01/14		MANOJ DRAWIN
					PAYAN CHECKED
					M.S. APPROVED

TOLERANCE	WEIGHT	FINISH	SCALE	PARTNO.
±0.2				
±0.2 HOLES	ALL DIMENSION ARE IN MM			
±1.0° ANGLES	GRP 19			

TITLE :-	Raychem RPP (P) Limited	DRG. NO.
GRP JUNCTION BOX	Capt. Mahal Arneko,	GJB-405400201-0
405 x 400 x 201	Dr. Arnie Basant Road,	
	Worli, Mumbai 400030	
	Web : www.raychemtmg.com	

PROPERTY OF Raychemtmg (P) LTD.
 ALL RIGHTS RESERVED AND/OR PHOTOCOPIING THIS DOCUMENT
 TO A PERSON WITHOUT Raychemtmg (P) LTD. WRITTEN AUTHORIZATION IS PROHIBITED