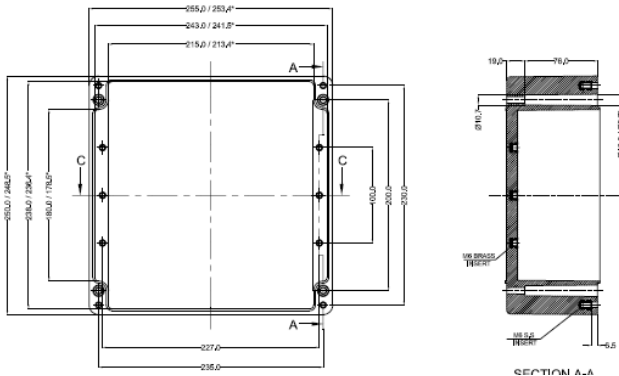


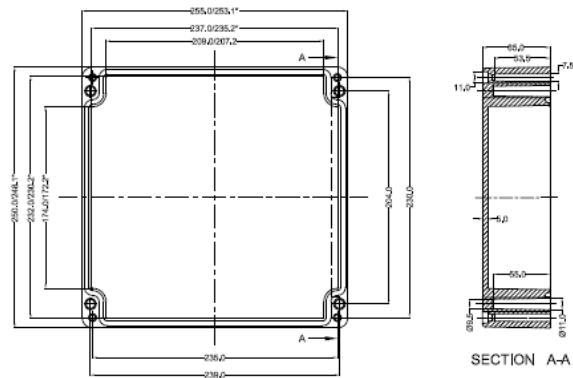
GRJ17



BASE



LID



PRODUCT SPECIFICATION - STANDARD

| | |
|--------------|-----------------|
| Dim (LxWxH): | 255 X 250 X 160 |
| Model No: | GRJ17 |
| Order No : | GRJ17 |
| Weight (gm): | 3.806 |

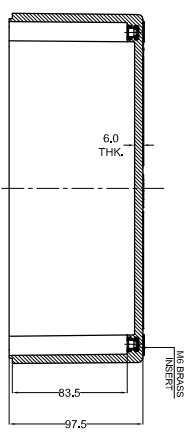
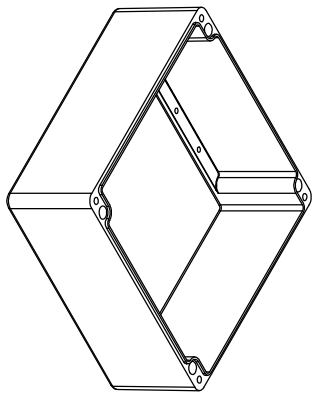
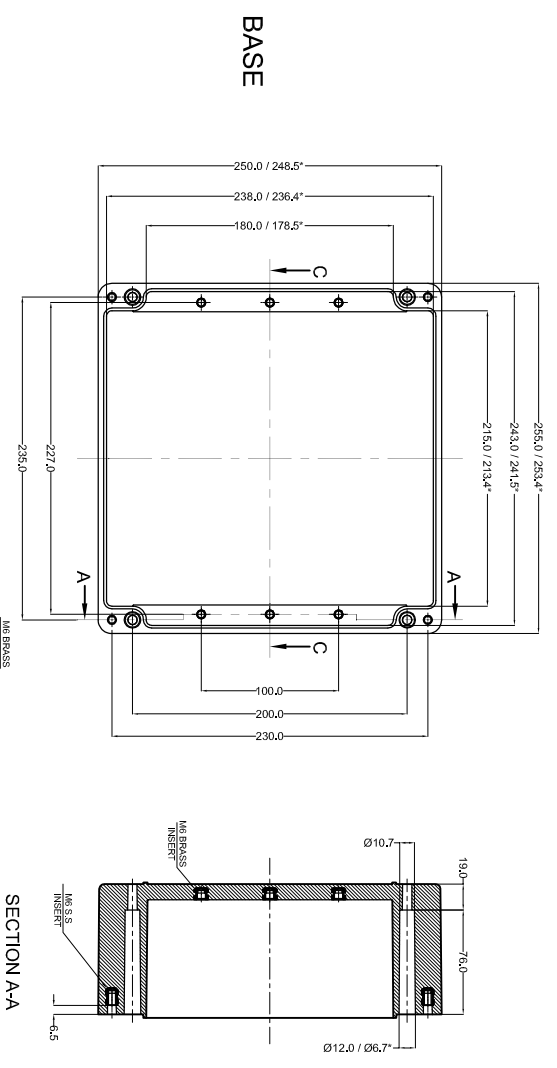
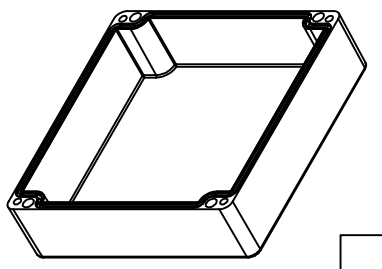
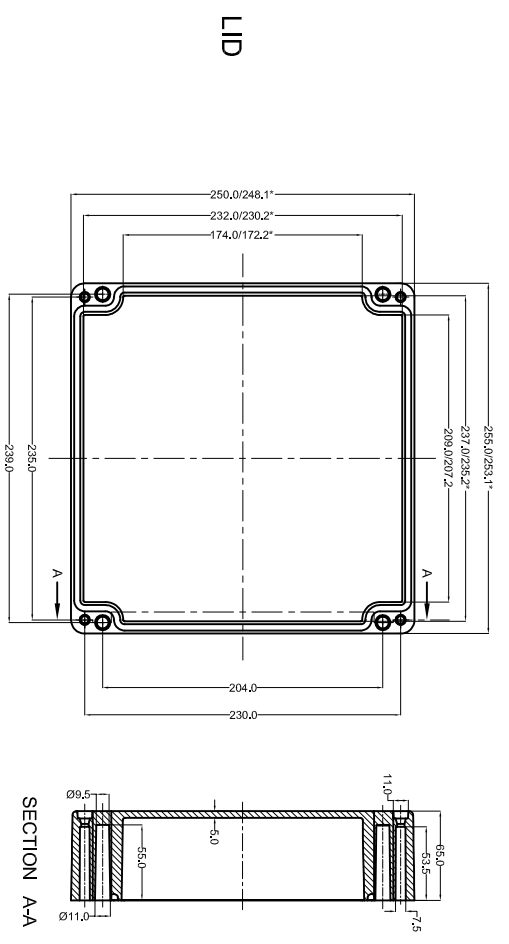
| TECHNICAL SPECIFICATION | GREY | BLACK |
|-------------------------|--|---|
| Colour | RAL 7000 | Similar to RAL 9011 |
| Material | Glass Fiber Reinforced Polyester | Glass Reinforced Polyester - Graphite Added |
| Gasket: | Neoprene | Silicone |
| Surface Resistance | > 10 ¹² Ohm | < 10 ⁹ Ohm |
| Service Temperature | - 40°C to +80°C | -60°C to +110°C |
| Lid Screw | Captive Screw - SS1.4301 (A2) - M6 | |
| Tightening Torque: | 2 to 3 Nm | |
| Protection | IP 66, EN 60529 | |
| Impact Strength | Impact Energy > 7 Joules, EN 60079 | |
| Flammability | Self Extinguishing, UL 94 V0 | |
| Process Control System | ISO 9001 - 2015, IEC 80079 - 34 - 2011 | |

AVAILABLE ON DEMAND

| | |
|----------------------------|----------|
| DIN Rail | TS35 |
| Mounting Plate | Yes |
| External Mounting Brackets | Yes |
| Hinges | External |
| Alter Lid Screw | Yes |
| Sealable Lid screw | Yes |

* = Conical form tapering downward.
 Untoleranced dimensions per DIN 16901-140

| OPTIONAL ACCESSORIES | | |
|-------------------------|-----|--------------|
| PART NAME | QTY | AVAILABILITY |
| MOUNTING PLATE | 1 | Y |
| EXTERNAL HINGE | 1 | Y |
| INTERNAL HINGE | - | N |
| MOUNTING BRACKETS | 4 | Y |
| NEOPRENE/SILICON GASKET | 1 | Y |
| DIN RAIL TS15 | - | N |
| DIN RAIL TS35 | 1 | Y |



LID

BASE

SECTION C-C

| Sr.No. | Drawing no. | RM Grade | Finish |
|--------|------------------|----------|---------------|
| 2 | GIB-255250120-02 | GRP-30 | BLACK RAL9011 |
| 1 | GIB-255250120-01 | GRP-23 | GREY RAL7000 |

| NO. | REV.NO. | DESCRIPTION | DATE | DRAWN | CHECKED |
|-----|---------|-------------|------|-------|---------|
| | | | | | |

| | | | | | |
|----------|-------------|------------------|----------|------|---------------|
| QUANTITY | MATERIAL :- | MACH.NAME | DATE | SIGN | NAME |
| | GRP | | 09/01/14 | | ERP L DESIGN |
| | | TITLE :- | 09/01/14 | | MANOJ DRAWN |
| | | GRP JUNCTION BOX | | | PAYAN CHECKED |
| | | 255 x 250 x 160 | | | M.S. APPROVED |

| | | | | |
|--------------|--------|--------|-------|---------|
| TOLERANCE | WEIGHT | FINISH | SCALE | PARTNO. |
| ±0.5 | | | | |
| ±0.2 HOLES | | | | |
| ±1.0° ANGLES | | | | |

| | | |
|-------------------------|---|-----------------|
| ALL DIMENSION ARE IN MM | RAYCHEM RPP (P) LIMITED | DRG. NO. |
| GRJ 17 | Ceat Mahal Annex, Dr. Arne Bassant Road, Worli, Mumbai 400030 Web : www.raychemrpp.com | GIB-255250160-0 |

PROPERTY OF Raychemrpp (P) LTD.
 ALL RIGHTS RESERVED AND/OR PHOTOCOPIING THIS DOCUMENT
 TO A PERSON WITHOUT Raychemrpp (P) LTD. WRITTEN AUTHORIZATION IS PROHIBITED