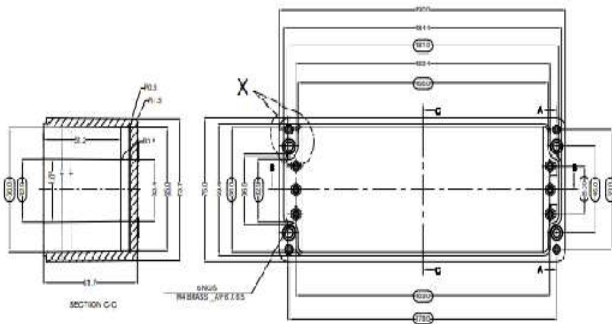
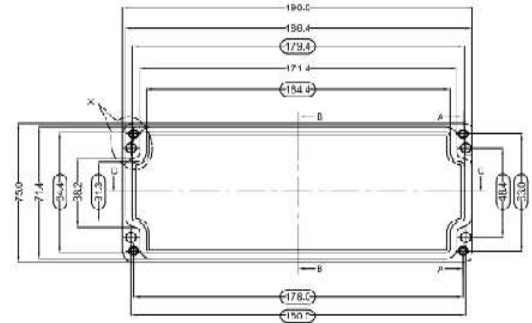
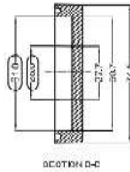


GRJ10



BASE



LID

PRODUCT SPECIFICATION - STANDARD

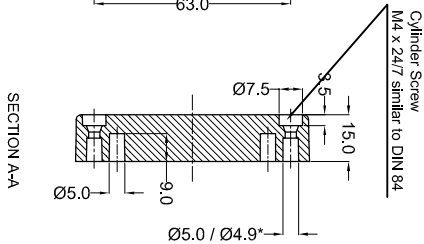
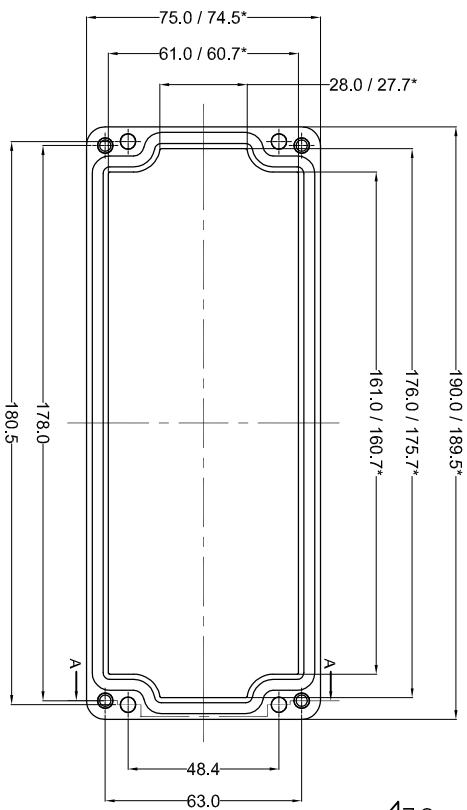
Dim (LxWxH):	190 x 75 x 75
Model No:	GRJ10
Order No :	GRJ10

TECHNICAL SPECIFICATION	GREY	BLACK
Colour	RAL 7000	Similar to RAL 9011
Material	Glass Fiber Reinforced Polyester	Glass Reinforced Polyester - Graphite Added
Gasket:	Neoprene	Silicone
Surface Resistance	> 10 ¹² Ohm	< 10 ⁹ Ohm
Service Temperature	- 40°C to +80°C	-60°C to +110°C
Lid Screw	Captive Screw - SS1.4301 (A2) - M4	
Tightening Torque:	1 to 2 Nm	
Protection	IP 66, EN 60529	
Impact Strength	Impact Energy > 7 Joules, EN 60079	
Flammability	Self Extinguishing, UL 94 V0	
Process Control System	ISO 9001 - 2015, IEC 80079 - 34 - 2011	

AVAILABLE ON DEMAND

DIN Rail	TS15
Mounting Plate	Yes
External Mounting Brackets	Yes
Hinges	No
Alter Lid Screw	Yes
Sealable Lid screw	Yes

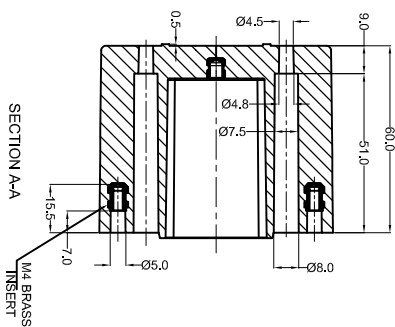
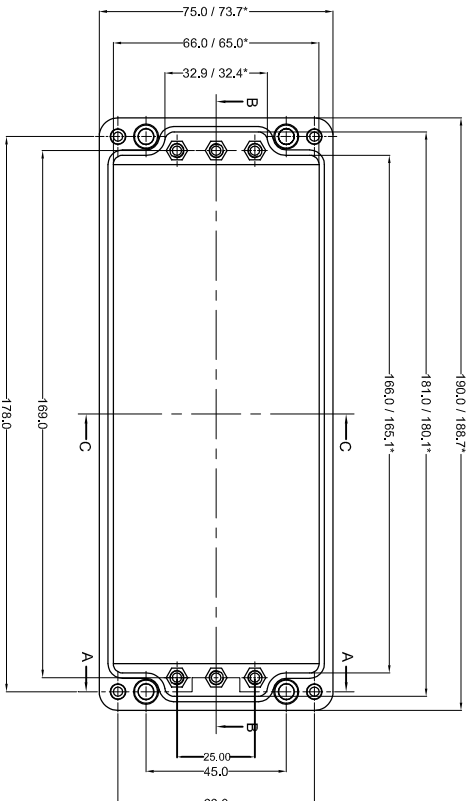
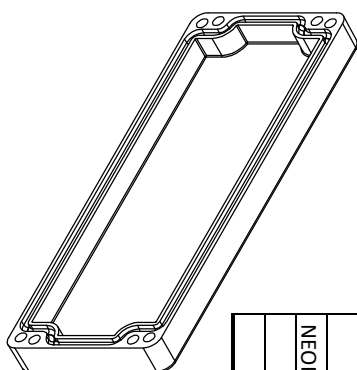
LID



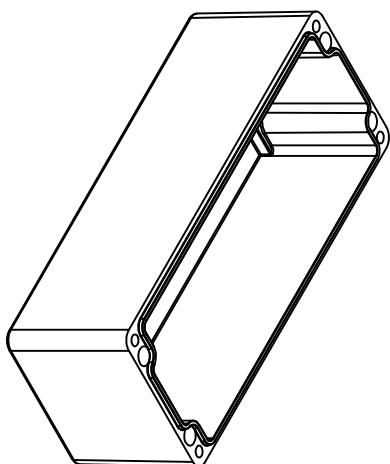
SECTION A-A

* = Conical form tapering downward.
 Untoleranced dimensions per DIN 16901-140

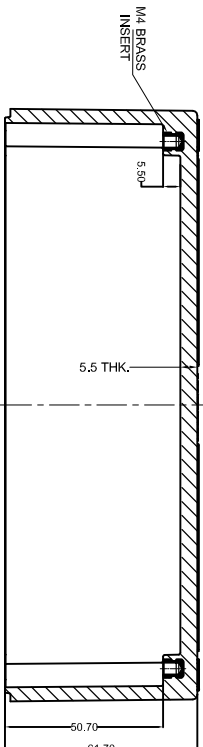
OPTIONAL ACCESSORIES		
PART NAME	QTY.	AVAILABILITY
MOUNTING PLATE	1	Y
EXTERNAL HINGE	-	N
INTERNAL HINGE	-	N
MOUNTING BRACKETS	4	Y
NEOPRENE/EMC/SILICON GASKET	1	Y
DIN RAIL TS15	1	Y
DIN RAIL TS35	-	N



SECTION A-A



BASE



SECTION B-B

GRP-30	BLACK RAL9011
GRP-23	GREY RAL7000
RM Grade	Finish

NO.	REV. NO.	DESCRIPTION	DATE	DRAWN	CHECKED
-	-	-	-	-	-

QUANTITY	MATERIAL	MACH. NAME	DATE	SIGN	NAME
1	GRP		09/01/14		REPTL DESIGN
			09/01/14		MANOJ DRAWN
					PAYAN CHECKED
					M.S. APPROVED

TOLERANCE	WEIGHT	FINISH	SCALE	PARTNO.
±0.5 HOLES			1:1	
±0.2 HOLES				
±1.0° ANGLES				

Raychem Rpg (P) Limited
 Ceal Manal Amrehe,
 Dr. Arnie Bessant Road,
 Worli, Mumbai 400030
 Web : www.raychemrpg.com

DRG. NO. GJB-1907575-0

PROPERTY OF RaychemRPG (P) LTD.
 ALL RIGHTS RESERVED AND/OR PHOTOCOPIING THIS DOCUMENT
 TO A PERSON WITHOUT RaychemRPG (P) LTD. WRITTEN AUTHORIZATION IS PROHIBITED