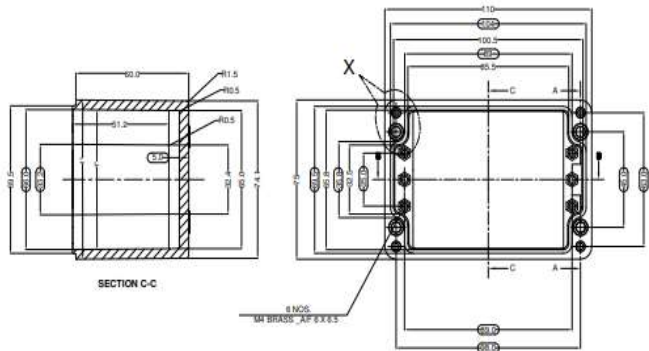
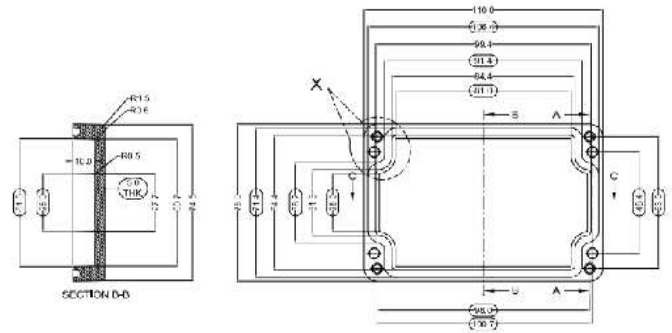


GRJ08



BASE



LID

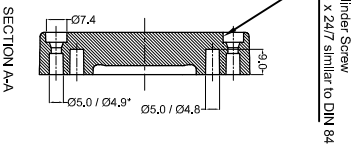
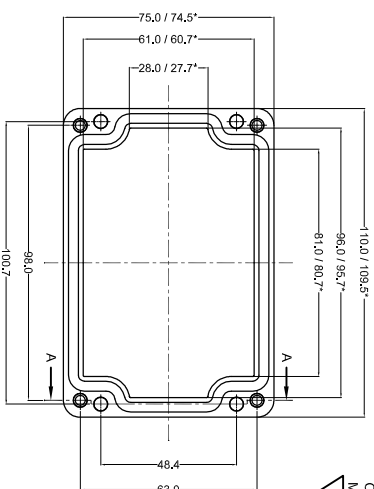
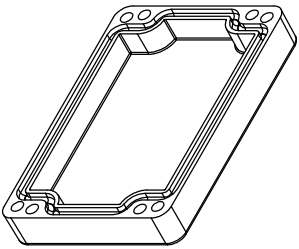
PRODUCT SPECIFICATION - STANDARD

Dim (LxWxH):	110 x 75 x 75
Model No:	GRJ08
Order No :	GRJ08

TECHNICAL SPECIFICATION	GREY	BLACK
Colour	RAL 7000	Similar to RAL 9011
Material	Glass Fiber Reinforced Polyester	Glass Reinforced Polyester - Graphite Added
Gasket:	Neoprene	Silicone
Surface Resistance	> 10 ¹² Ohm	< 10 ⁹ Ohm
Service Temperature	- 40°C to +80°C	-60°C to +110°C
Lid Screw	Captive Screw - SS1.4301 (A2) - M4	
Tightening Torque:	1 to 2 Nm	
Protection	IP 66, EN 60529	
Impact Strength	Impact Energy > 7 Joules, EN 60079	
Flammability	Self Extinguishing, UL 94 V0	
Process Control System	ISO 9001 - 2015, IEC 80079 - 34 - 2011	

AVAILABLE ON DEMAND	
DIN Rail	TS15
Mounting Plate	Yes
External Mounting Brackets	Yes
Hinges	No
Alter Lid Screw	Yes
Sealable Lid screw	Yes

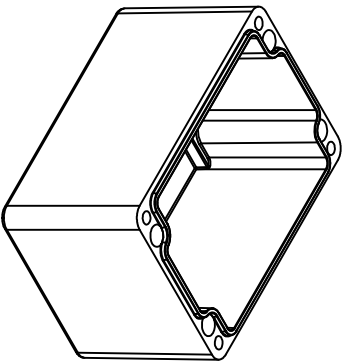
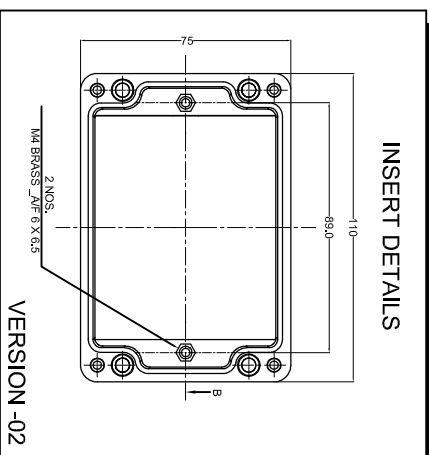
LID



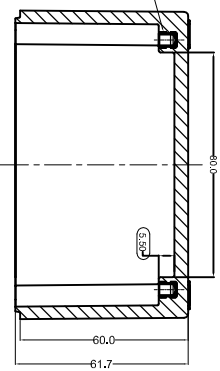
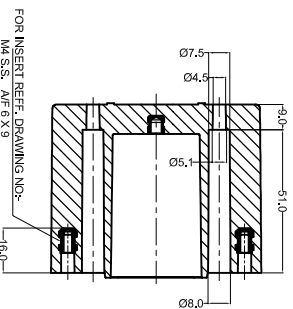
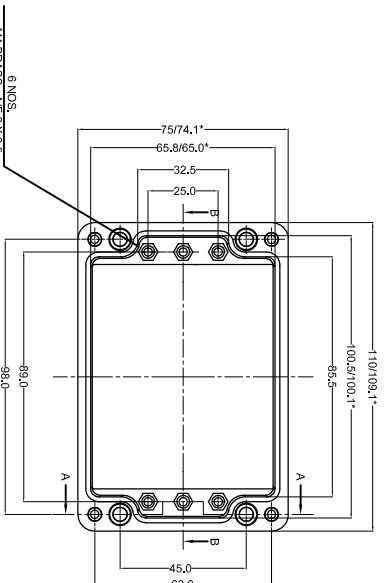
* = Cortical form tapering downward.
Intoleranced dimensions per DIN 16901-1:40

OPTIONAL ACCESSORIES		
PART NAME	QTY.	AVAILABILITY
MOUNTING PLATE	1	Y
EXTERNAL HINGE	-	N
INTERNAL HINGE	-	N
MOUNTING BRACKETS	4	Y
NEOPRENE/EMC/SILICON GASKET	1	Y
DIN RAIL TS15	1	Y
DIN RAIL TS35	-	N

INSERT DETAILS



BASE



Sr.No.	Drawing no.	RM Grade	Finish	VERSION
1	GIB-1107575-B-01	GRP-23	GREY RAL7000	01
2	GIB-1107575-B-02	GRP-30	BLACK RAL9011	02
3	GIB-1107575-B-03	GRP-30	BLACK RAL9011	02

NO.	REV. NO.	DESCRIPTION	DATE	DRAWN	CHECKED

QUANTITY	MATERIAL :-	MACH. NAME	DATE	SIGN	NAME
	GRP		09/01/14		ERP L DESIGN
		TITLE :-	09/01/14		MANOJ DRAWN
		GRP JUNCTION BOX			PAYAN CHECKED
		110 X 75 X 75			M.S. APPROVED

TOLERANCE	FINISH	WEIGHT	SCALES	PARTNO.
±0.2				
±1.0°				

Raychem RPP (P) Limited
Coat Watal Annex,
Dr. Arnie Bessant Road,
Worli, Mumbai 400030
Web : www.raychemrpp.com

DRG. NO. GIB-1107575-0

PROPERTY OF RaychemRPP (P) LTD.
ALL RIGHTS RESERVED AND/OR PHOTOCOPIING THIS DOCUMENT
TO A PERSON WITHOUT RaychemRPP (P) LTD. WRITTEN AUTHORIZATION IS PROHIBITED