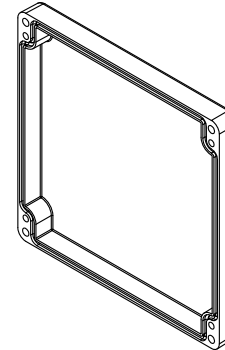
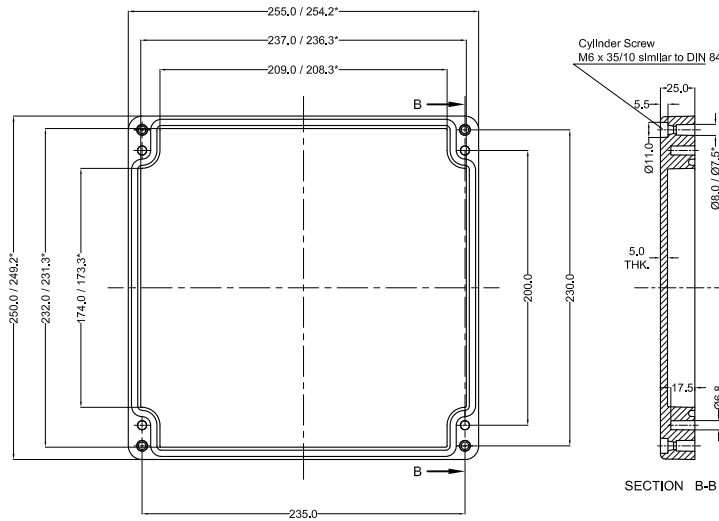
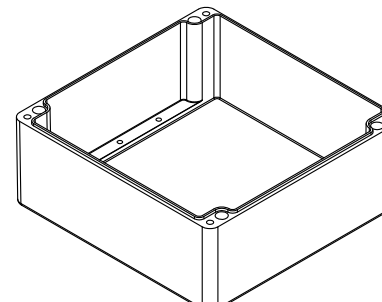
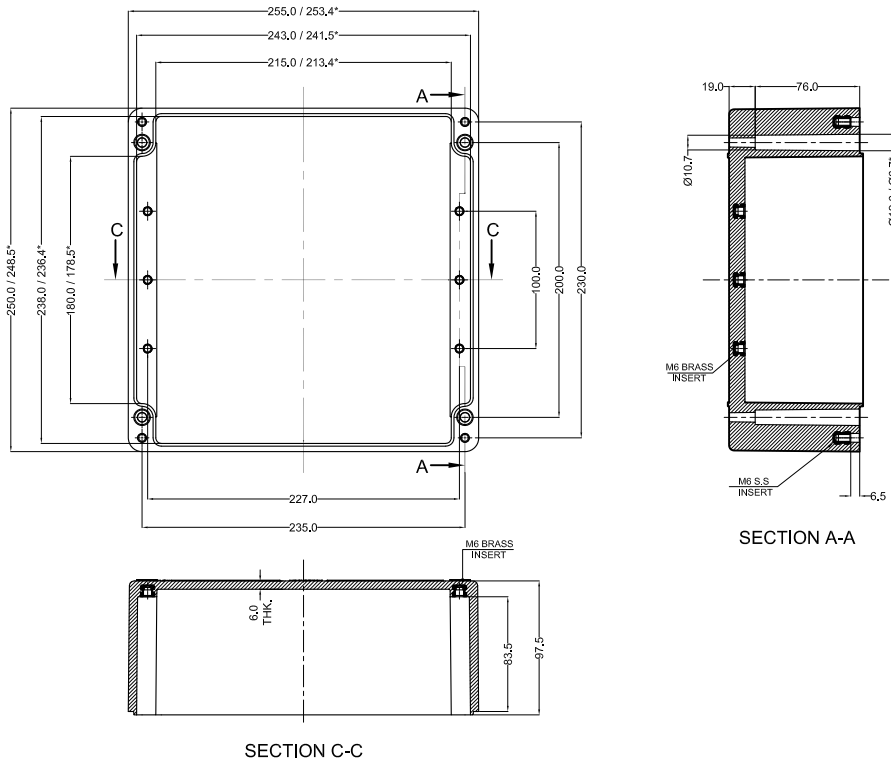


* = Conical form tapering downward.
 Untoleranced dimensions per DIN 16901-140

LID



BASE



OPTIONAL ACCESSORIES		
PART NAME	QTY.	AVILABILITY
MOUNTING PLATE	1	Y
EXTERNAL HINGE	1	Y
INTERNAL HINGE	-	N
MOUNTING BRACKETS	4	Y
NEOPRENE/SILICON GASKET	1	Y
DIN RAIL TS15	-	N
DIN RAIL TS35	1	Y

PROPERTY OF RaychemRPG (P) LTD.
 ALL RIGHTS RESERVED AND/OR PHOTOCOPYING THIS DOCUMENT
 TO A PERSON WITHOUT RaychemRPG (P) LTD. WRITTEN AUTHORIZATION IS PROHIBITED

2	GJB-255250120-L-02	GRP-30	BLACK RAL9011
1	GJB-255250120-L-01	GRP-23	GREY RAL7000
Sr.No.	Drawing no.	RM Grade	Finish

NO.	REV.NO.	DESCRIPTION	DATE	DRAWN	CHECKED
-	-	-	-	-	-
QUANTITY	MATERIAL :-	MACH.NAME	DATE	SIGN	NAME
-	GRP	-	03/01/14		RRPL DESIGN
					MANOJ DRAWN
			03/01/14		PAVAN CHECKED
					M.S. APPROVED
TOLERANCE	WEIGHT:	FINISH:	TITLE :-		
±0.2 DIMENSIONS	-	-	GRP JUNCTION BOX 255 x 250 x 120		
±0.2 HOLES	ALL DIMENSION ARE IN MM		Raychem RPG (P) Limited		
±1.0° ANGLES	GRJ 12	SCALE	PARTNO. .		
		REV	DRG. NO.		
		00	GJB-255250120-0		

Ceat Mahal Annexe,
 Dr. Annie Besant Road,
 Worli, Mumbai 400030
 Web : www.raychemrpg.com