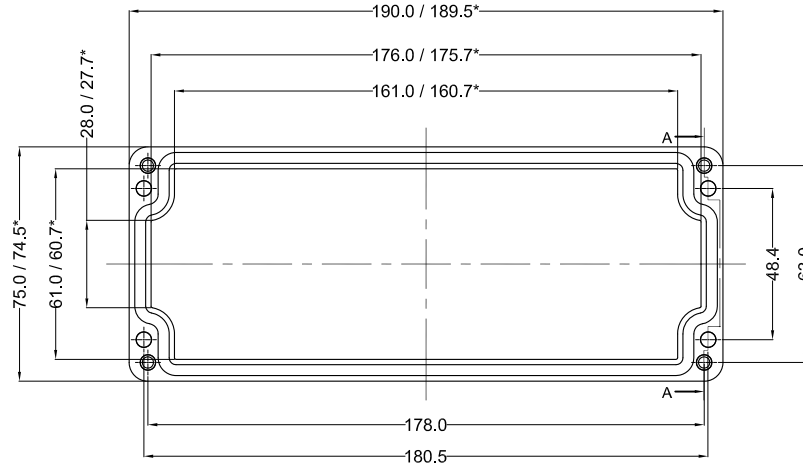
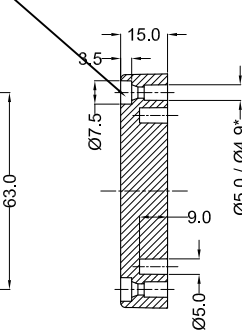


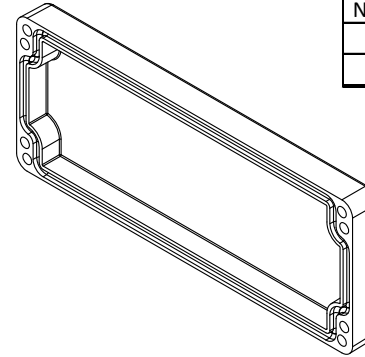
LID



Cylinder Screw  
M4 x 24/7 similar to DIN 84



SECTION A-A

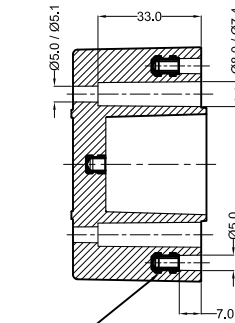
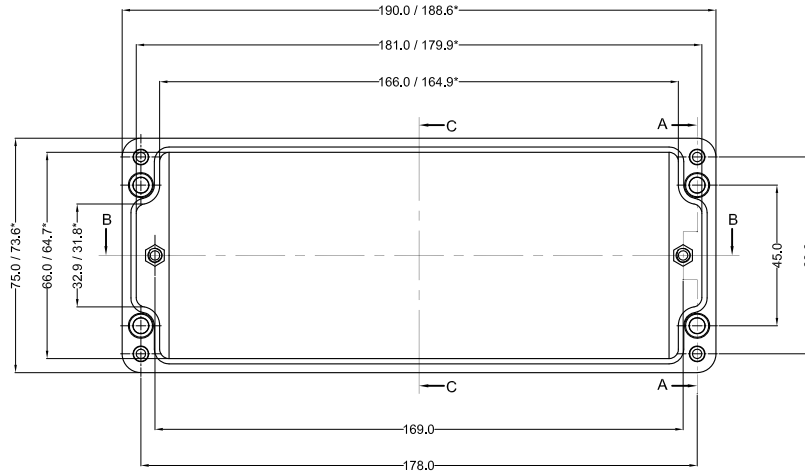


\* = Conical form tapering downward.  
Untoleranced dimensions per DIN 16901-140

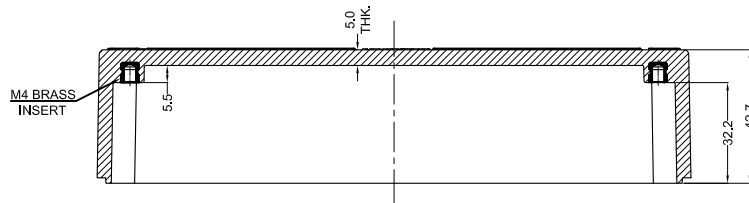
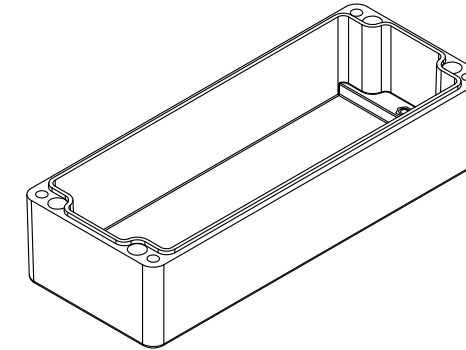
OPTIONAL ACCESSORIES

PART NAME	QTY.	AVILABILITY
MOUNTING PLATE	1	Y
EXTERNAL HINGE	-	N
INTERNAL HINGE	-	N
MOUNTING BRACKETS	4	Y
NEOPRENE/EMC/SILICON GASKET	1	Y
DIN RAIL TS15	1	Y
DIN RAIL TS35	-	N

BASE



SECTION A-A



SECTION B-B

3	GJB-1907555-B-03	GRP-30	BLACK RAL9011	02
2	GJB-1907555-B-02	GRP-30	BLACK RAL9011	01
1	GJB-1907555-B-01	GRP-23	GREY RAL7000	
Sr.No.	Drawing no.	RM Grade	Finish	VERSION

NO.	REV.NO.	DESCRIPTION	DATE	DRAWN	CHECKED
-	-	-	-	-	-
QUANTITY	MATERIAL :-	MACH.NAME	DATE	SIGN	NAME
-	<b>GRP</b>	-	03/01/14		<b>RRPL DESIGN</b>
			03/01/14		<b>MANOJ DRAWN</b>
					<b>PAVAN CHECKED</b>
					<b>M.S. APPROVED</b>
TITLE :-	WEIGHT:	FINISH:	SCALE	PARTNO.	DRG. NO.
GRP JUNCTION BOX 190 x 75 x 55	-	-			
Raychem RPG (P) Limited		Ceat Mahal Annexe, Dr. Annie Besant Road, Worli, Mumbai 400030 Web: www.raychemrpg.com		GJB-1907555-0	
TOLERANCE		ALL DIMENSION ARE IN MM		REV	
±0.2	DIMENSIONS	GRJ 09		00	
±0.2	HOLES				
±1.0°	ANGLES				

PROPERTY OF RaychemRPG (P) LTD.  
ALL RIGHTS RESERVED AND/OR PHOTOCOPYING THIS DOCUMENT  
TO A PERSON WITHOUT RaychemRPG (P) LTD. WRITTEN AUTHORIZATION IS PROHIBITED