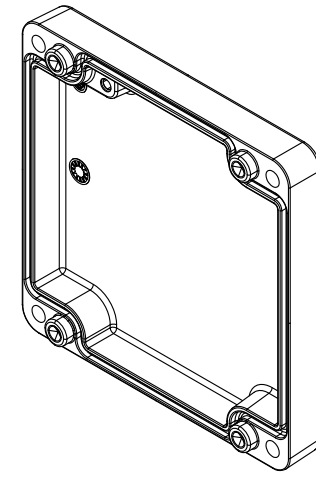
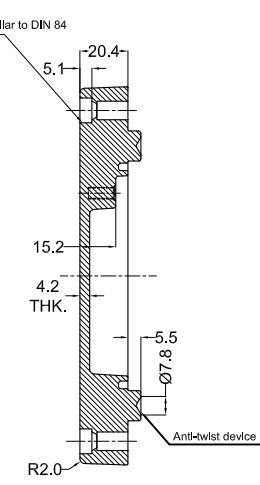
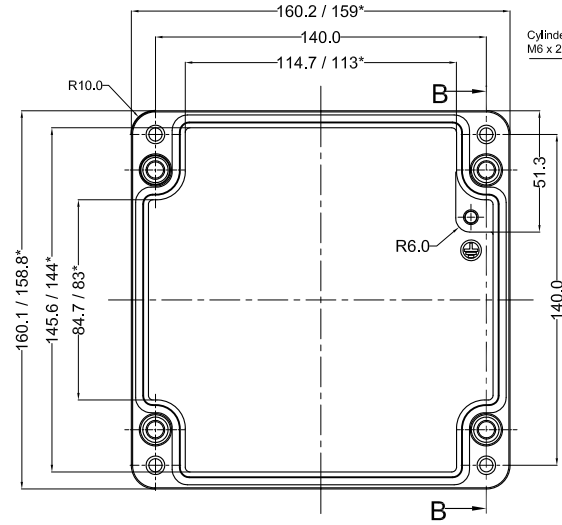


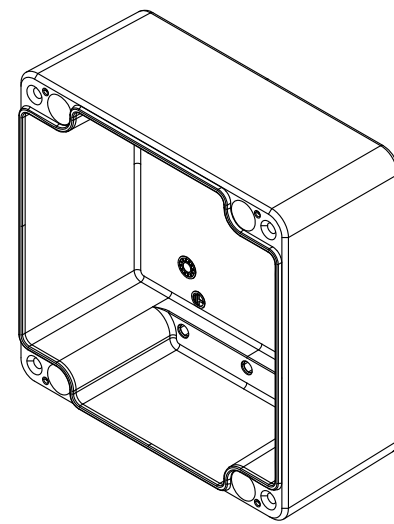
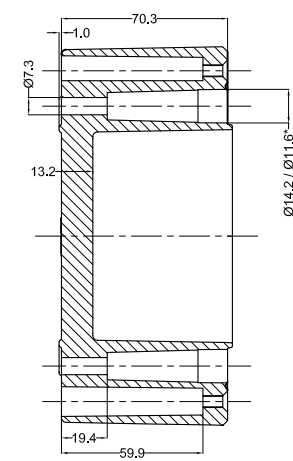
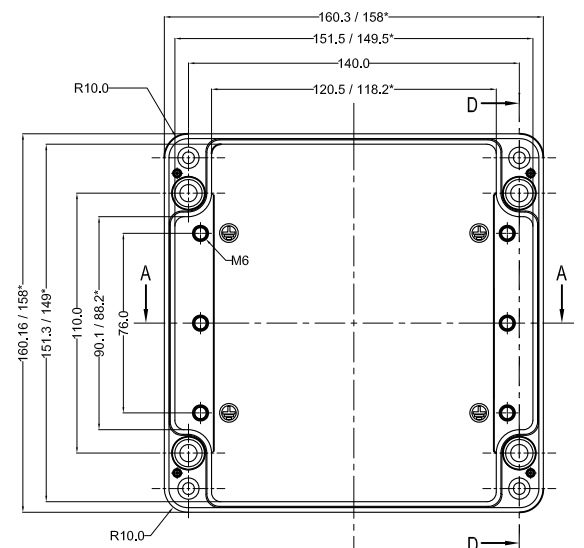
* = Conical form tapering downward.
 Untoleranced dimensions per GTA 13/5 - DIN 1688

LID

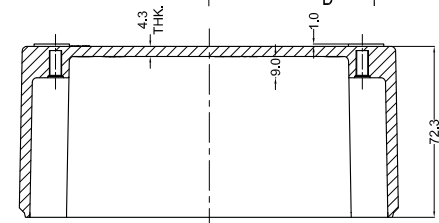


SECTION B-B

BASE



SECTION D-D



SECTION A-A

QUANTITY 1	MATERIAL :- AlSi12 DIN230	MACH.NAME -	DATE 08/06/12	SIGN MANOJ	NAME DRAWN
WEIGHT: -		FINISH: NATURAL	DATE 08/06/12	SIGN PAVAN	NAME CHECKED
TOLERANCE ±0.2 DIMENSIONS ±0.2 HOLES ±1.0° ANGLES		ALL DIMENSION ARE IN MM	TITLE :- JUNCTION BOX 160 x 160 x 90		SIGN S.D.
PROPERTY OF RaychemRPG (P) LTD. ALL RIGHTS RESERVED AND/OR PHOTOCOPYING THIS DOCUMENT TO A PERSON WITHOUT RaychemRPG (P) LTD. WRITTEN AUTHORIZATION IS PROHIBITED		Raychem RPG (P) Limited Ceat Mahal Annexe, Dr. Annie Besant Road, Worli, Mumbai 400030 Web : www.raychemrpg.com	SCALE REV 0	PARTNO. 0	DRG. NO. AJB-16016090

PROPERTY OF RaychemRPG (P) LTD.
 ALL RIGHTS RESERVED AND/OR PHOTOCOPYING THIS DOCUMENT
 TO A PERSON WITHOUT RaychemRPG (P) LTD. WRITTEN AUTHORIZATION IS PROHIBITED