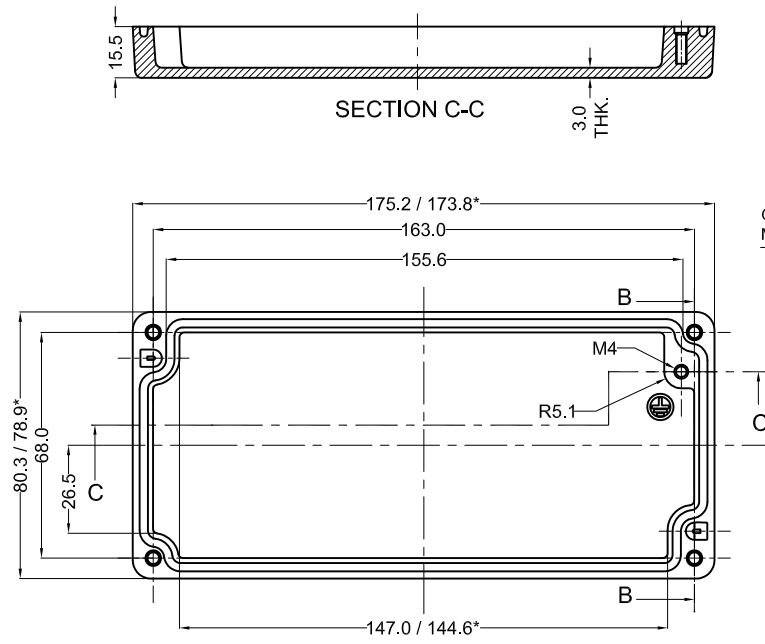
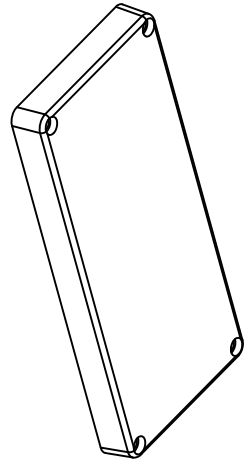
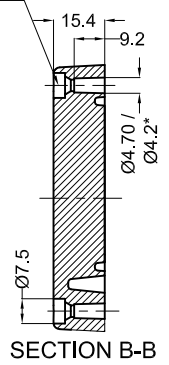


* = Conical form tapering downward.
 Untoleranced dimensions per GTA 13/5 DIN 1688

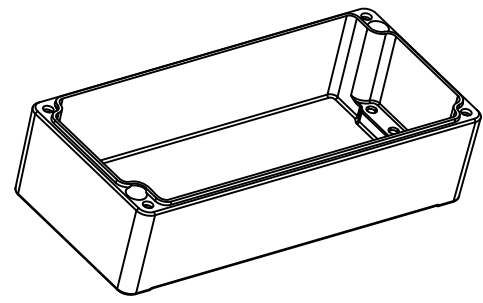
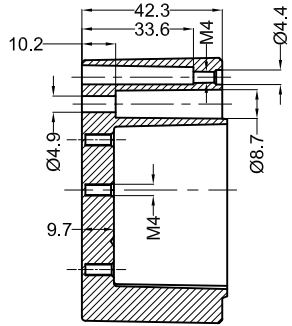
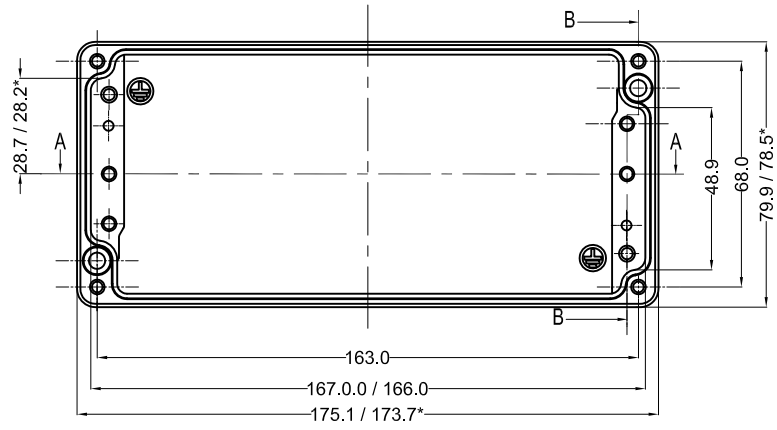
LID



Cylinder Screw
 M4 x 20/7 similar to DIN 84



BASE



PROPERTY OF RaychemRPG (P) LTD.
 ALL RIGHTS RESERVED AND/OR PHOTOCOPYING THIS DOCUMENT
 TO A PERSON WITHOUT RaychemRPG (P)LTD. WRITTEN AUTHORIZATION IS PROHIBITED

| | | | | | | |
|-----------------|---|---|----------|-------------|---------------|--|
| QUANTITY | MATERIAL :- AlSi12 DIN230 | MACH.NAME | DATE | SIGN | NAME | |
| | | - | 11/06/12 | | RRPL DESIGN | |
| | | TITLE :- JUNCTION BOX 175 x 80 x 57 | 11/06/12 | | MANOJ DRAWN | |
| | | | | | PAVAN CHECKED | |
| | | | | | S.D. APPROVED | |
| TOLERANCE | WEIGHT: - | FINISH: NATURAL | SCALE | PARTNO. 0 | | |
| ±0.2 DIMENSIONS | ALL DIMENSION ARE IN MM | | REV | DRG. NO. | | |
| ±0.2 HOLES | | | 0 | AJB-1758057 | | |
| ±1.0° ANGLES | | | | | | |

Raychem RPG (P) Limited
 Ceat Mahal Annexe,
 Dr. Annie Besant Road,
 Worli, Mumbai 400030
 Web : www.raychemrpg.com