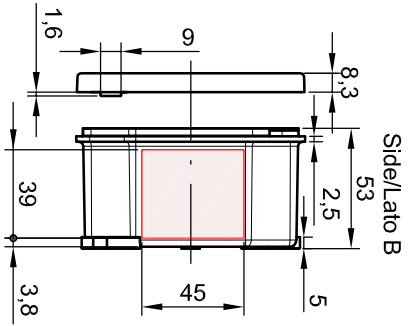
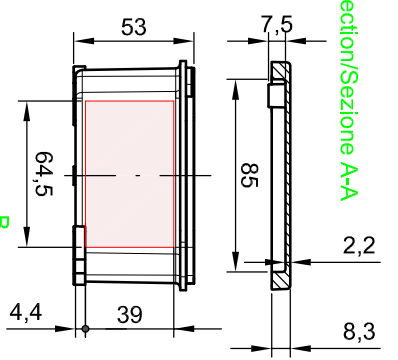


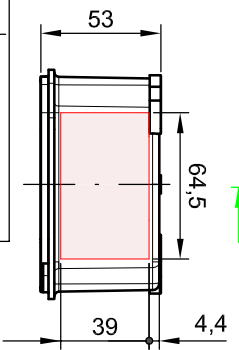
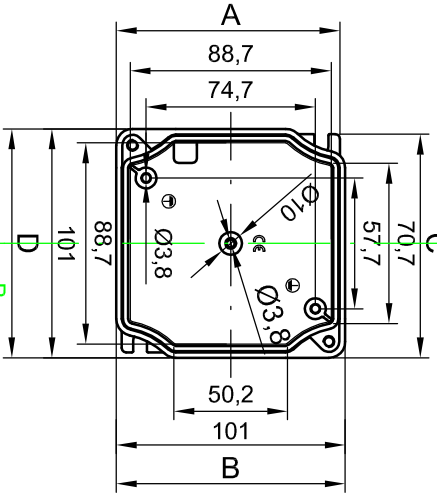
Section/Sezione B-B



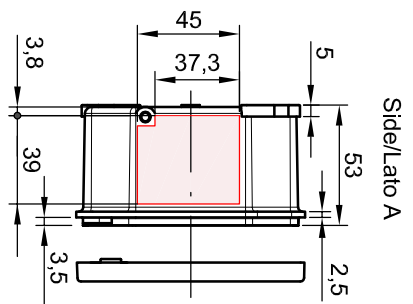
Side/Lato B



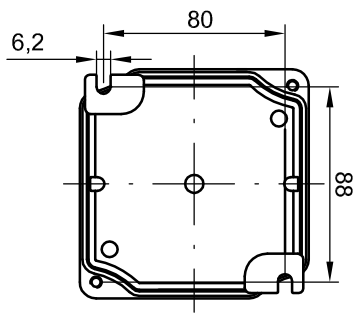
Section/Sezione A-A



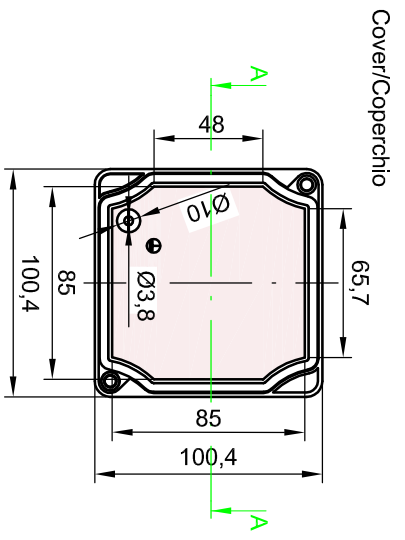
Side/Lato C



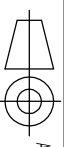
Side/Lato A



Bottom/Fondo



Cover/Coperchio



All Dimensions in mm

Mod.	27.11.2014	04.06.2013	12.04.2013	
Dat.				
Name				

Detail			
Issp.			
Stat.	14.02.2013		
E.L.			

**molex**

8000.6261.0

S-8000 series, aluminum enclosures, S1  
101x101x58, Grey RAL 9006, Type STD  
Cassette in alluminio, serie S-8000, S1  
101x101x58, Grigio RAL 9006, Tipo STD

Scala  
1 : 3