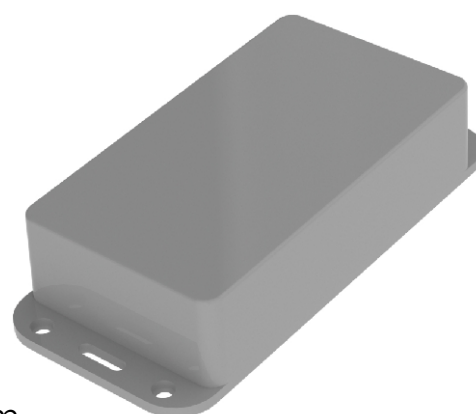


SECTION A-A



Dimensional tolerance $\pm 0,5$ mm

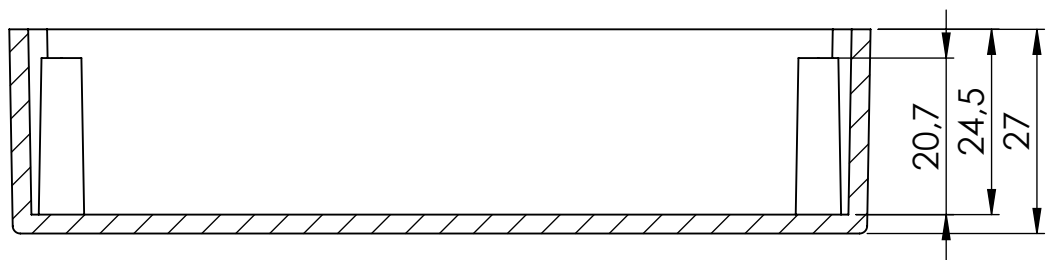
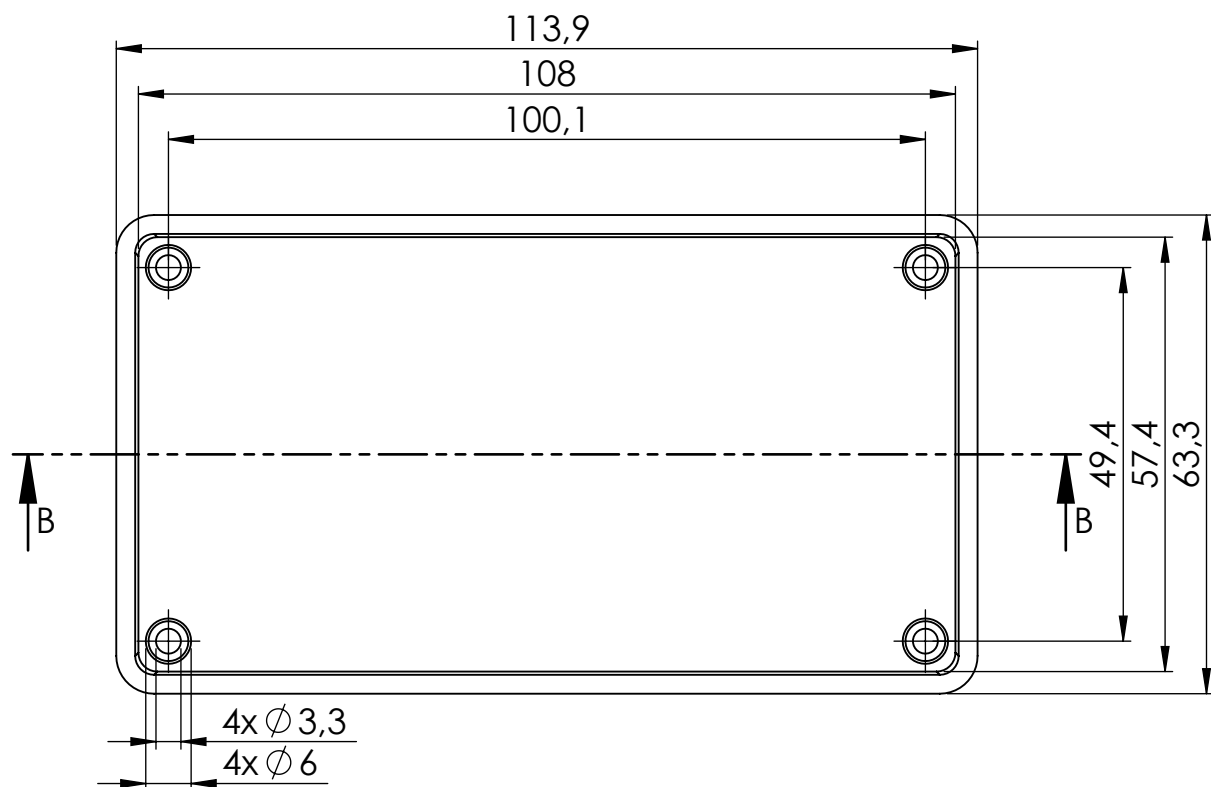
Components:
 - body
 - cover
 - 4x screw

| | |
|-----------------------|--------------|
| Format A4 | Scale 1:1 |
| Product No. KM-122 | |

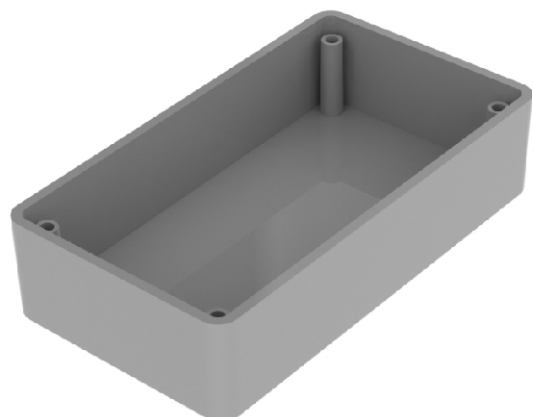


MASZCZYK[®]
 PLASTIC ENCLOSURES

„MASZCZYK”
 05-071 Sulejów-Miłosna
 ul. Mickiewicza 10
 tel: (22) 783-45-20 kom: 602-726-086

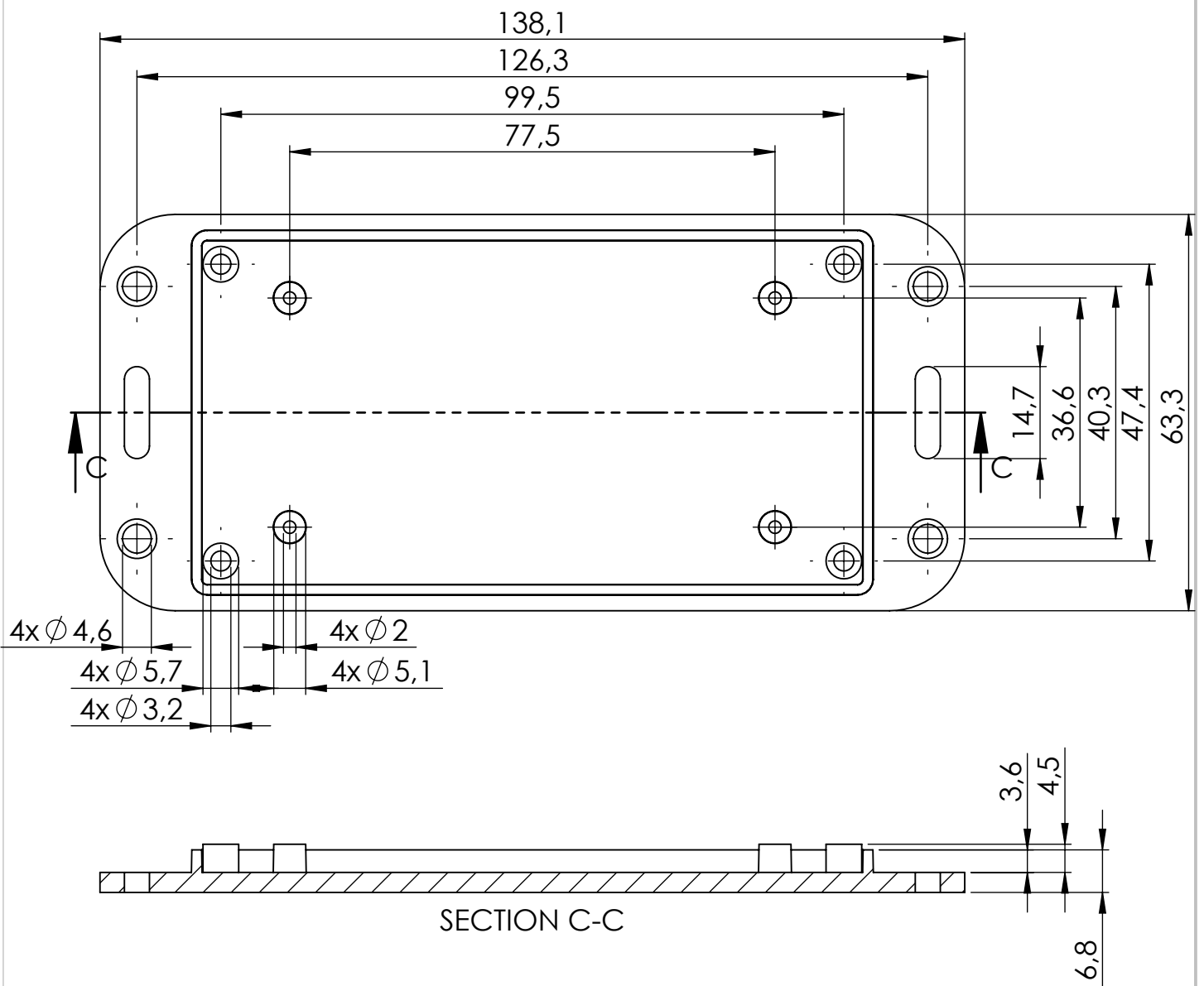


SECTION B-B



Dimensional tolerance $\pm 0,5$ mm

| | | |
|------------------------------|--------------|--|
| Format A4 | Scale 1:1 |  MASZCZYK [®] PLASTIC ENCLOSURES „MASZCZYK” 05-071 Sulejówek-Miłosna ul. Mickiewicza 10 tel: (22) 783-45-20 kom: 602-726-086 |
| Product No. KM-122 (body) | | |



Dimensional tolerance $\pm 0,5$ mm

| | |
|-------------------------------|--------------|
| Format A4 | Scale 1:1 |
| Product No. KM-122 (cover) | |



MASZCZYK[®]
PLASTIC ENCLOSURES

„MASZCZYK”
05-071 Sulejów-Miłosna
ul. Mickiewicza 10
tel: (22) 783-45-20 kom: 602-726-086