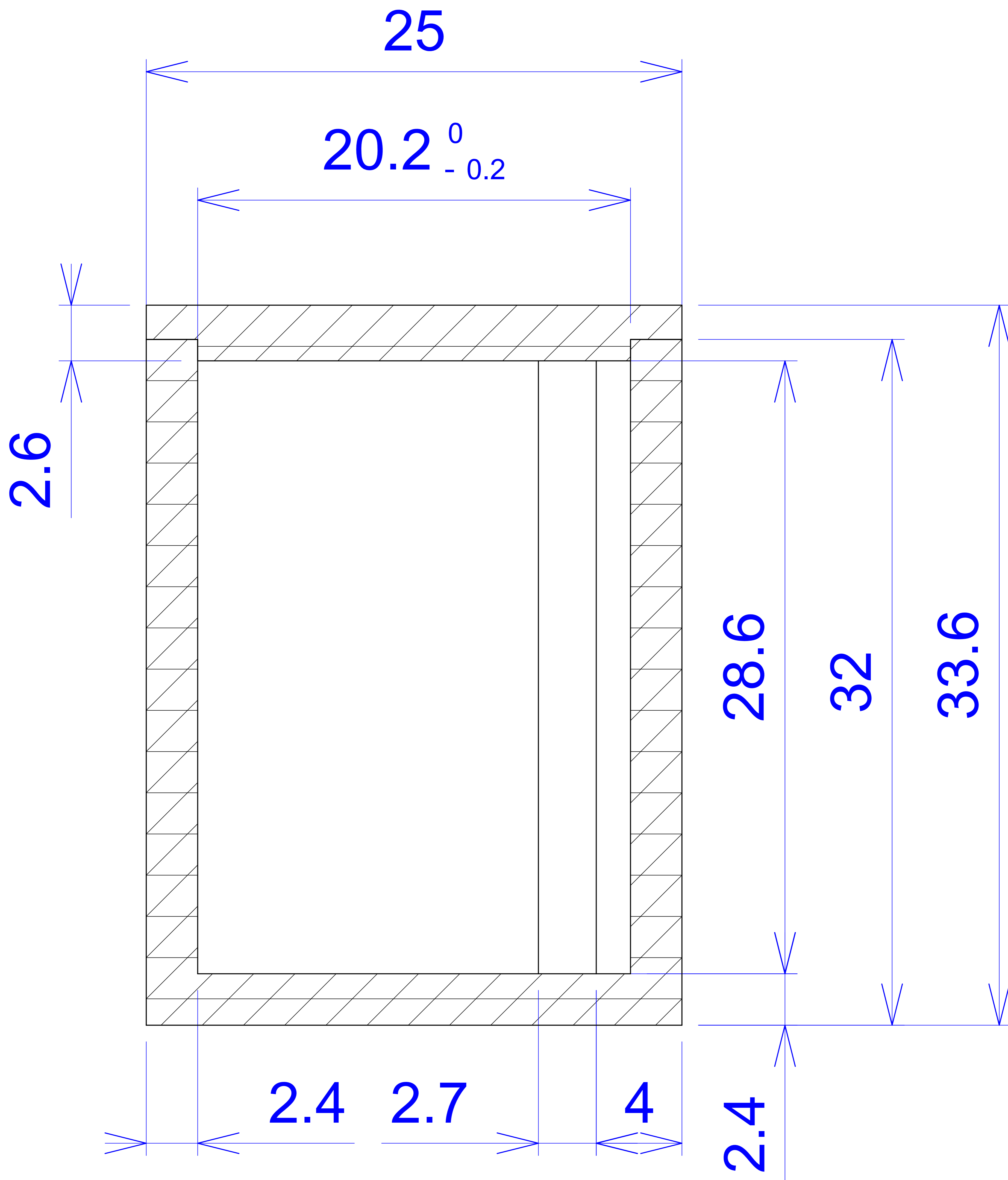
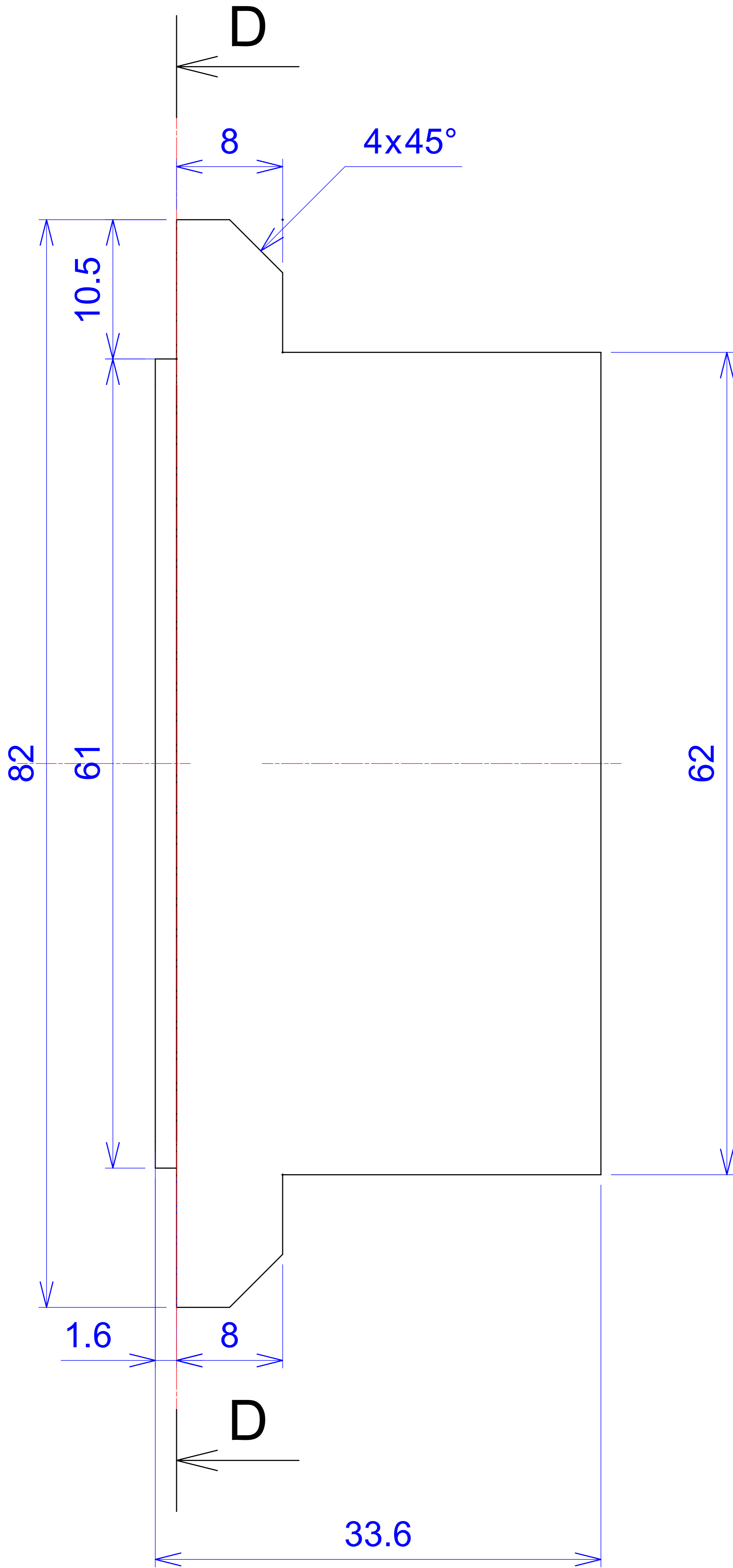
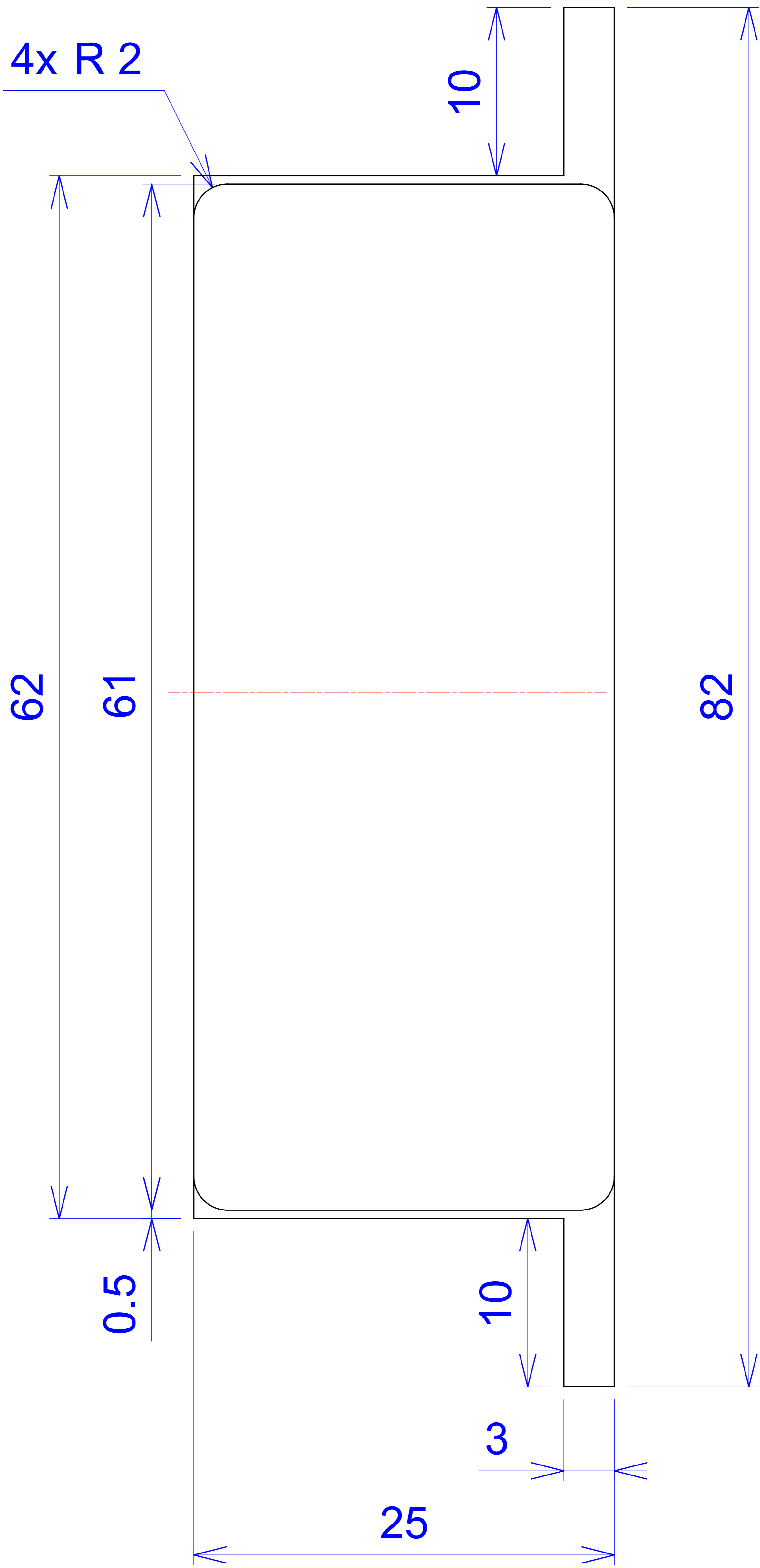
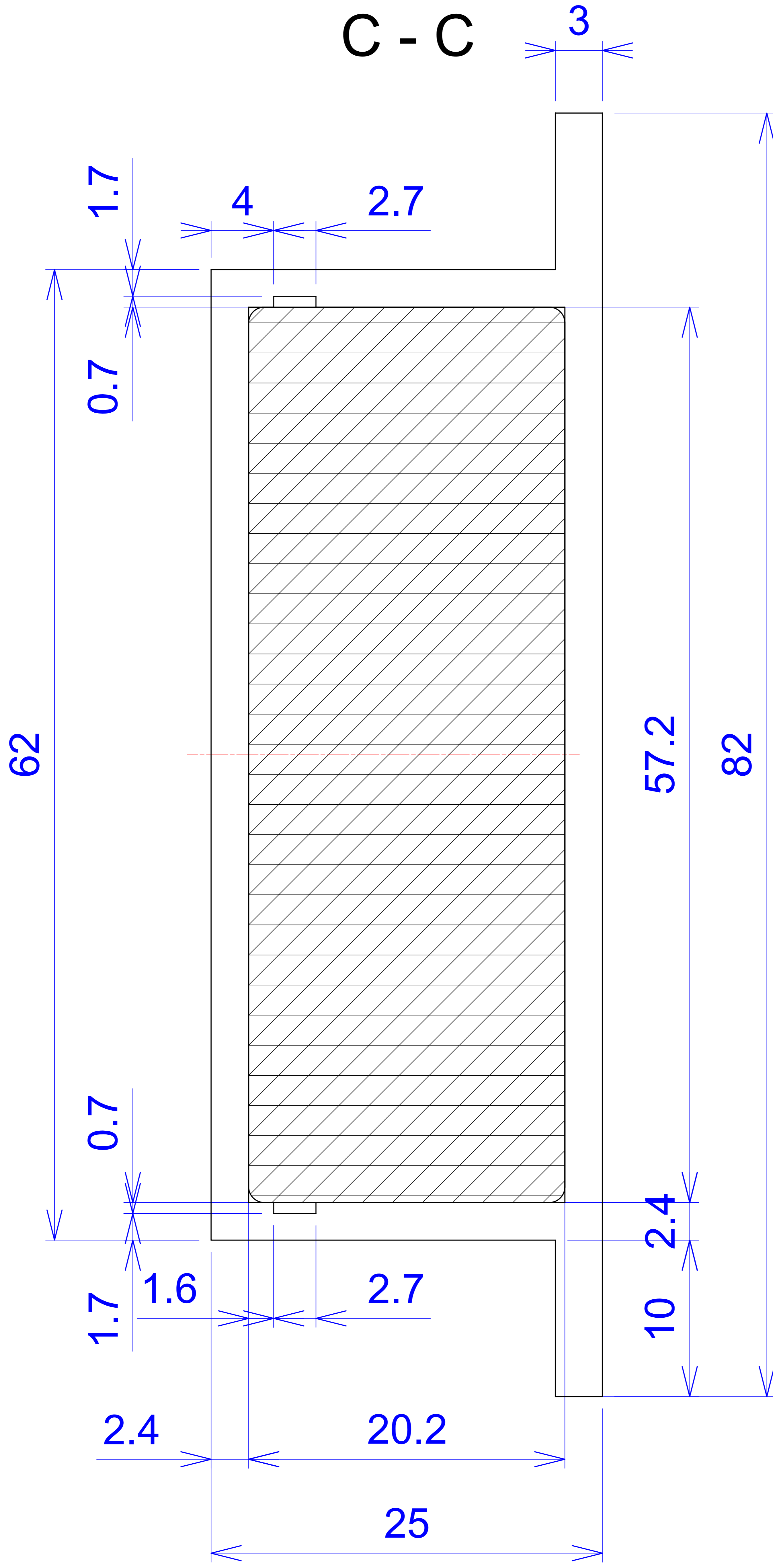


B - B









4x R 2

4x R 1

D - D

1.9

$57.2^{0}_{-0.2}$

61

$20.2^{0}_{-0.2}$

2.4

25

