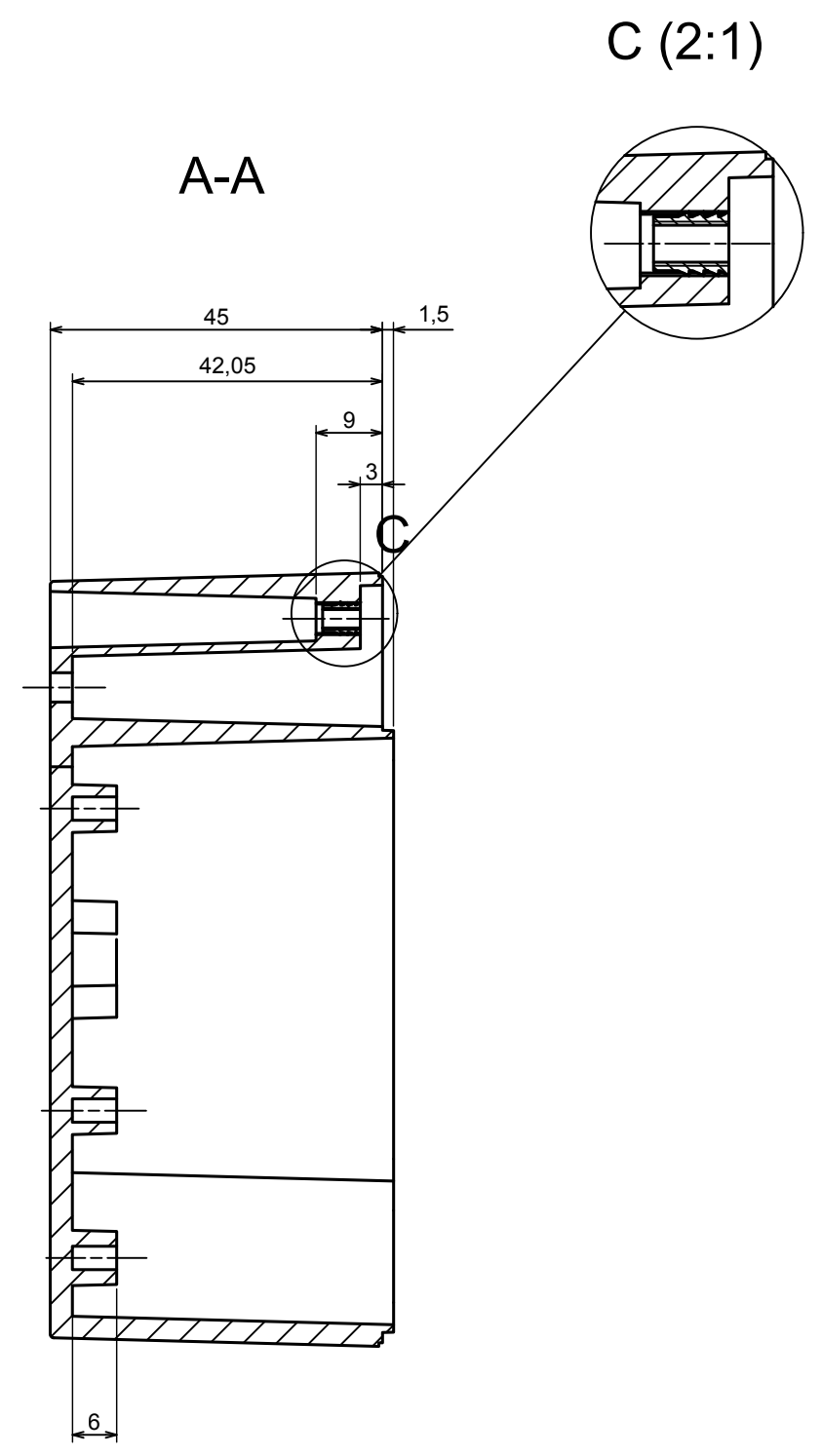
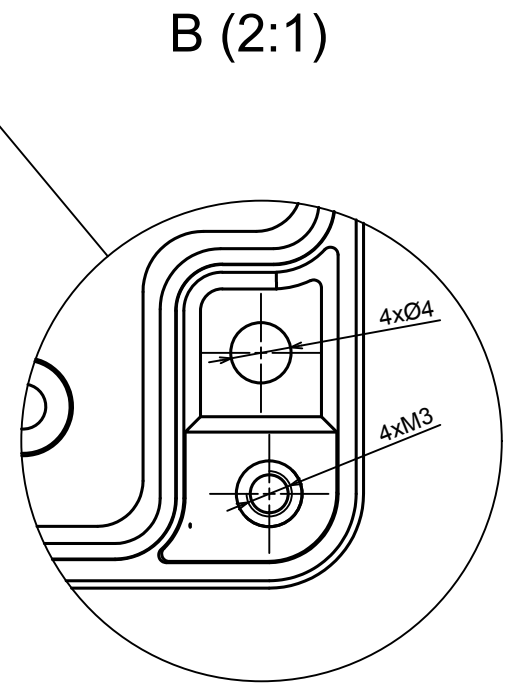
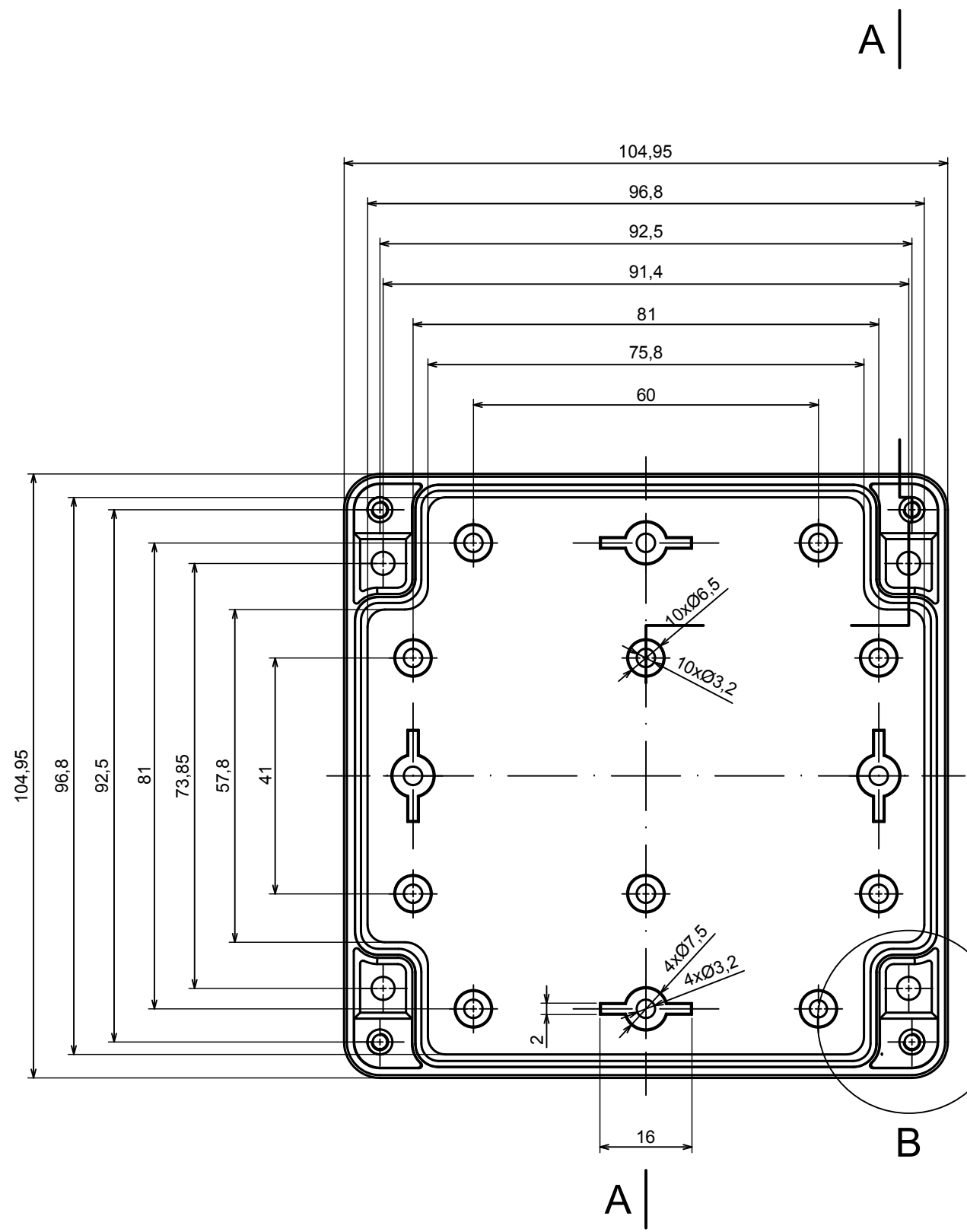


All rights reserved, Copyright Kradox 2018		
Product model	Enclosure ZP105.105.60J_TM - Assembly	
Format: A3	Material: PC, ABS	
Scale 1:1	Tolerance: +/- 0.6	



All rights reserved, Copyright Kradox 2018	
Product model	Enclosure ZP105.105.60J_TM - Base ZP105.105.45J_TM
Format: A3	Material: PC, ABS
Scale 1:1	Tolerance: +/- 0.6



