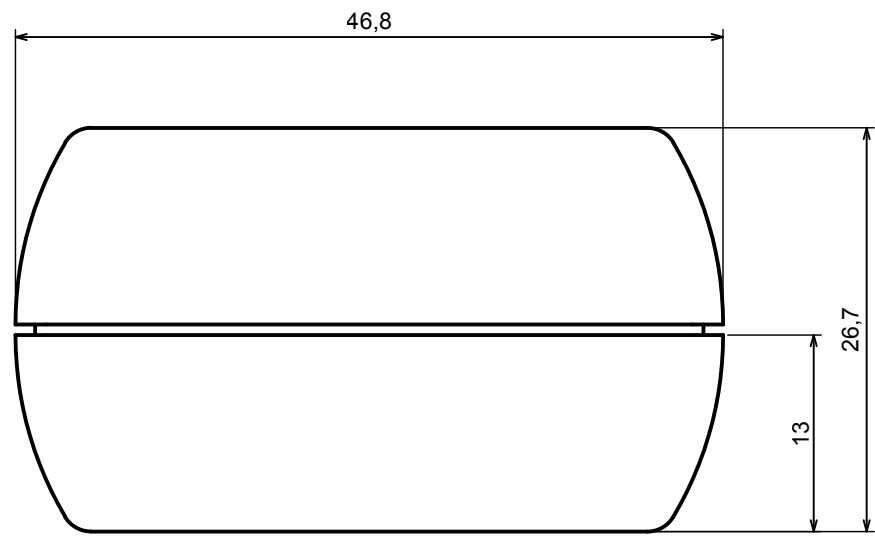
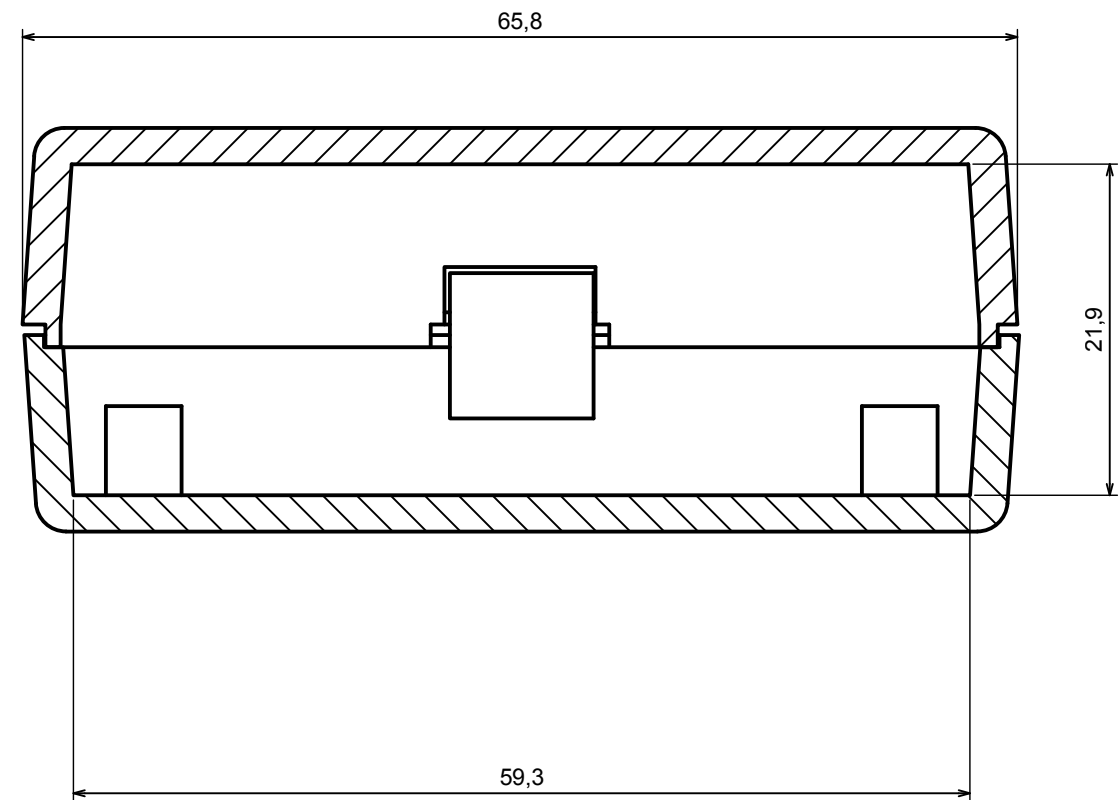


A |



A |

A-A



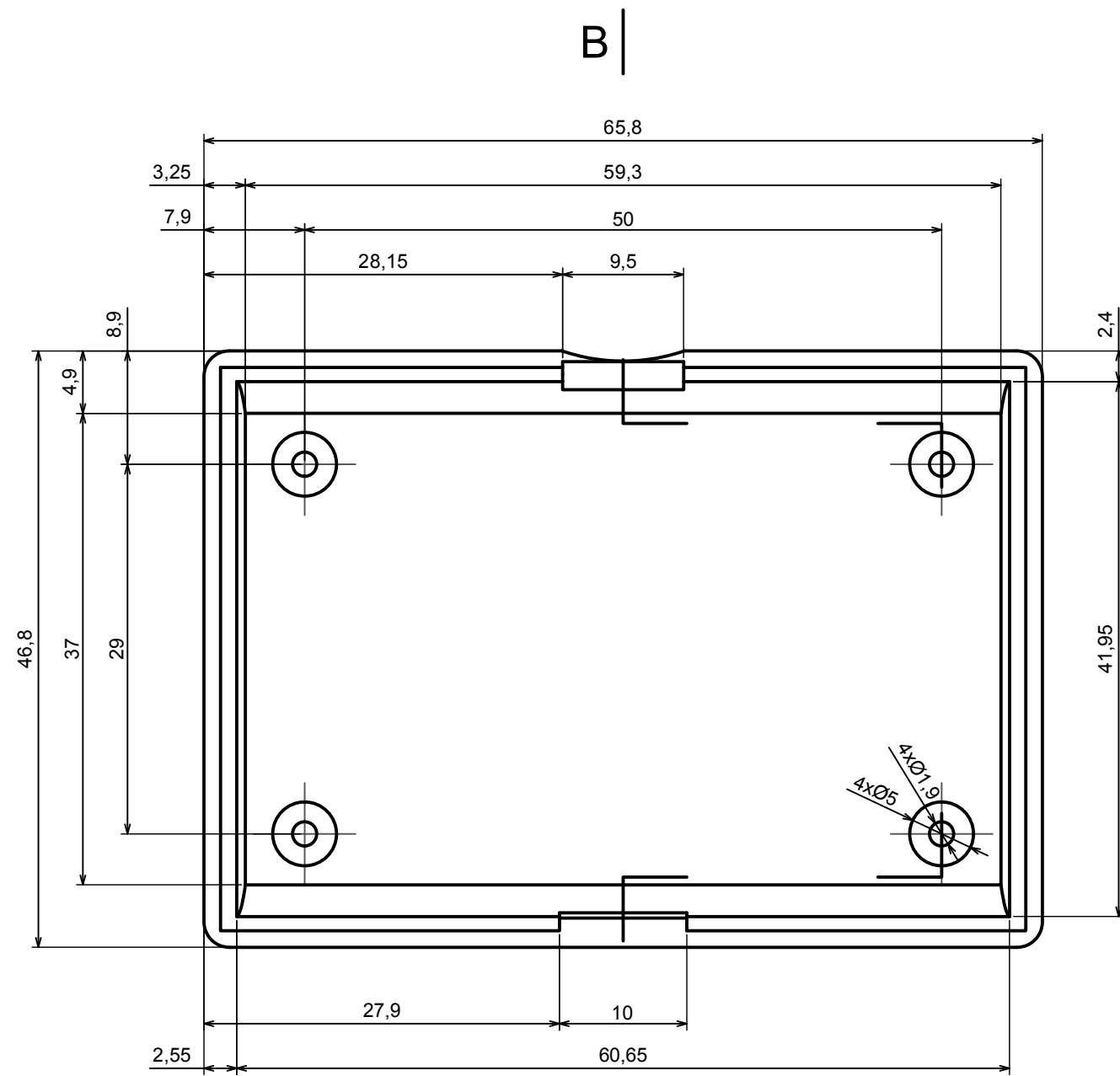
All rights reserved, Copyright Kradex 2018

Product model Enclosure Z94 - Assembly

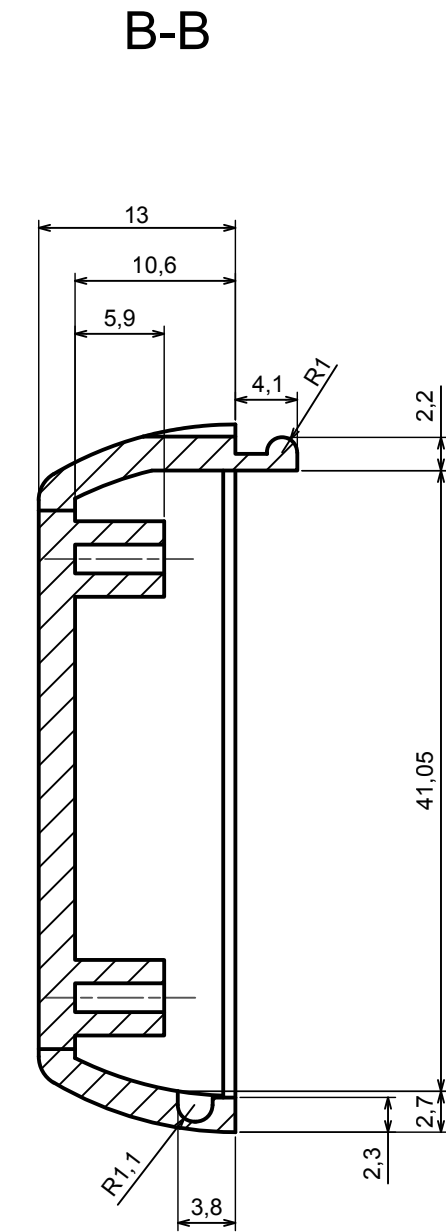
Format: A3 Material: PS, ABS

Scale 2:1 Tolerance: +/- 0.5





B |



All rights reserved, Copyright Kradox 2018

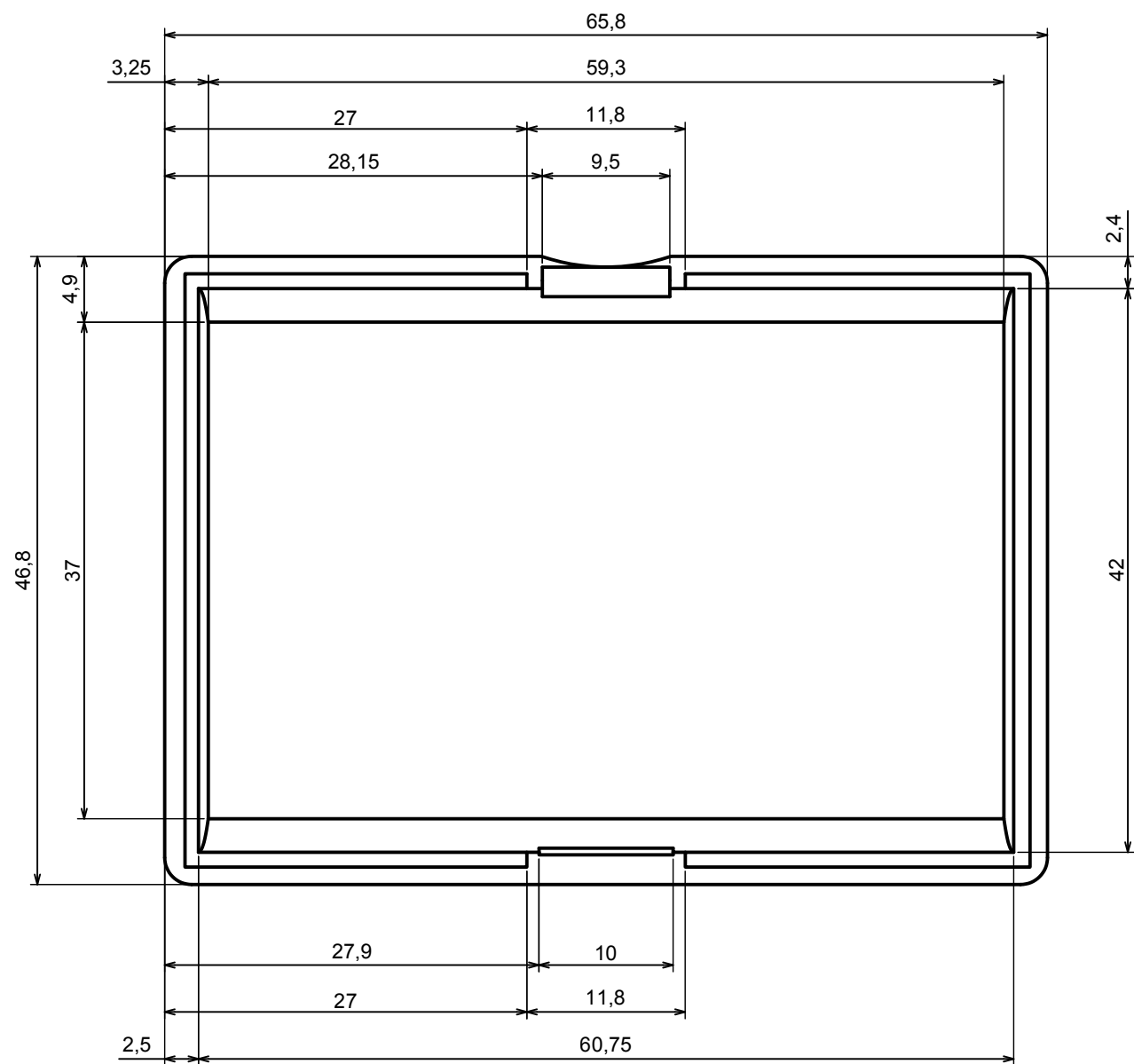
Product model: Enclosure Z94 - Base

Format: A3      Material: PS, ABS

Scale 2:1      Tolerance: +/- 0.5

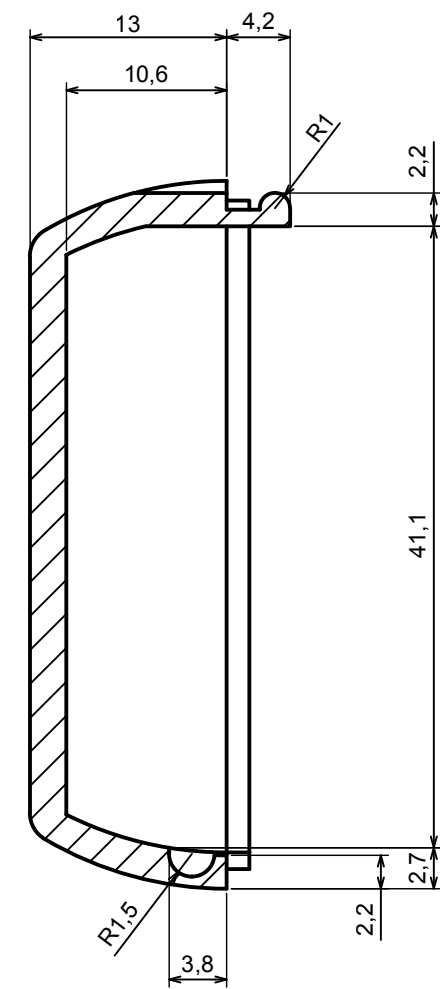


c |



c |

C-C



All rights reserved, Copyright Kradox 2018

Product model Enclosure Z94 - Cover

Format: A3 Material: PS, ABS

Scale 2:1 Tolerance: +/- 0.5

