
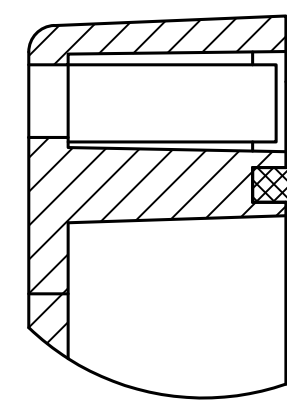
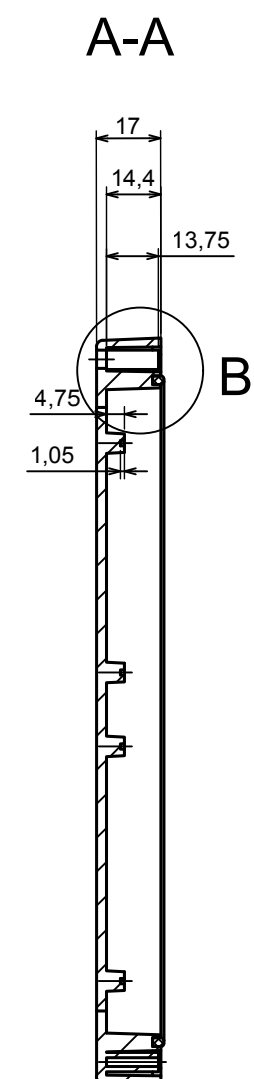
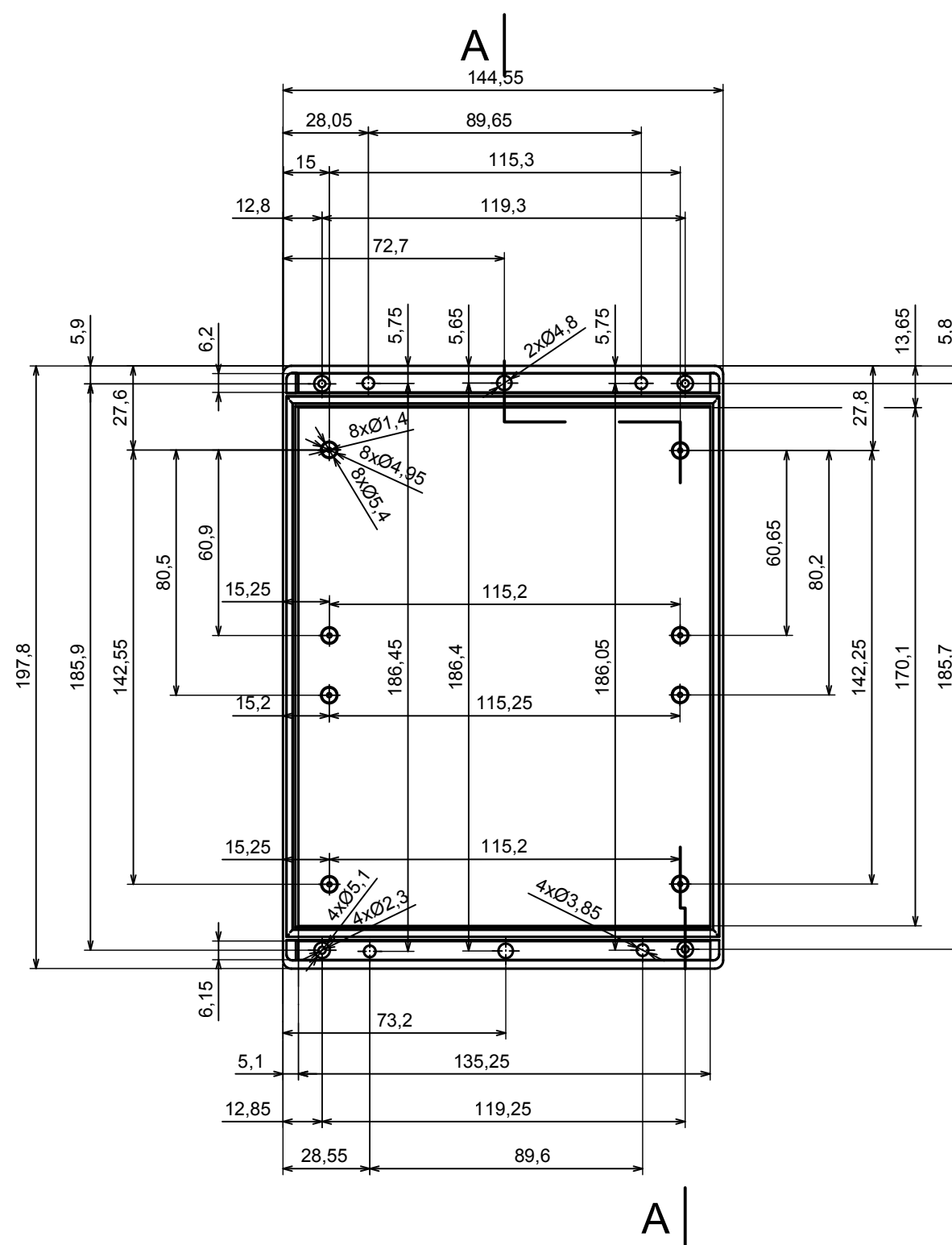

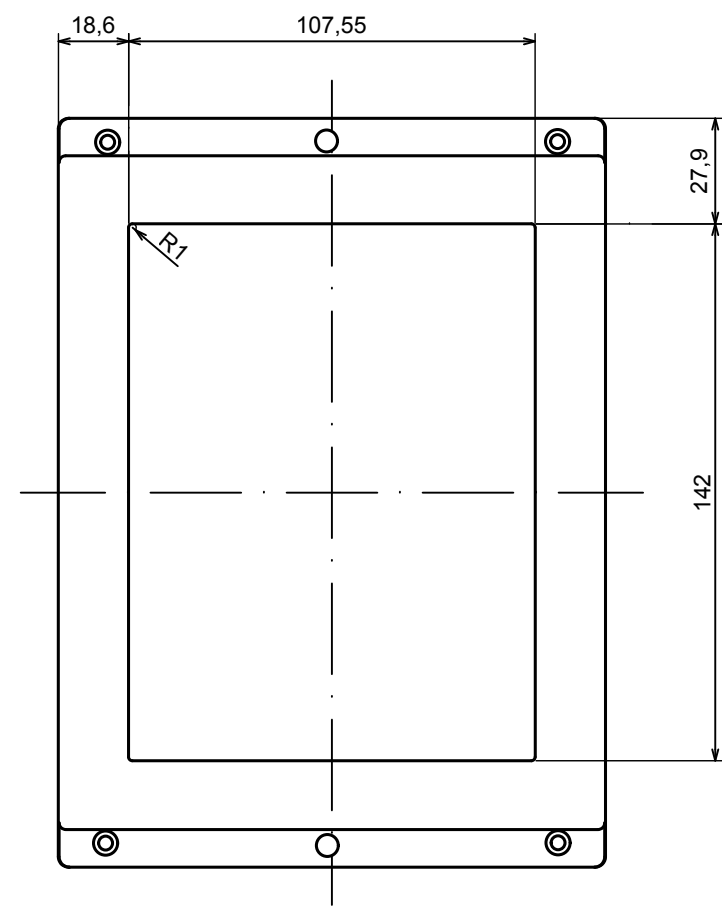
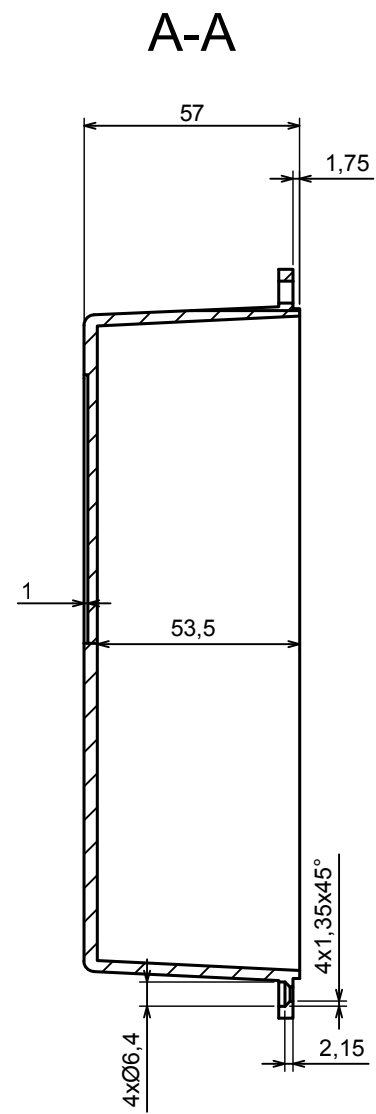
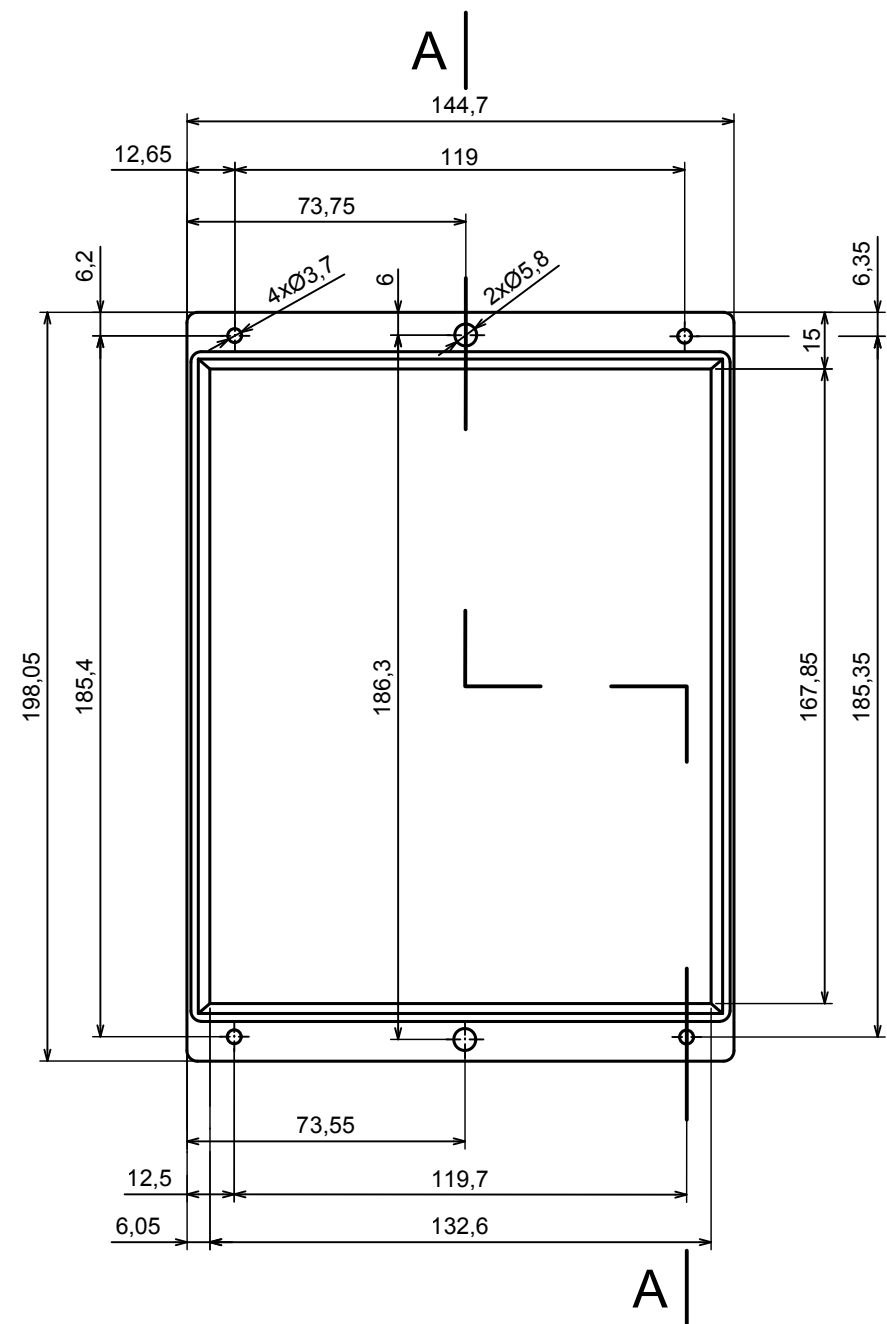


All rights reserved, Copyright Kradox 2016		
Product model	Enclosure Z46AS - assembly	
Format: A3	Material: PS, ABS	
Scale 1:2	Tolerance: +/- 0.8	

B (2:1)



All rights reserved, Copyright Kradox 2016		
Product model	Enclosure Z46AS - base	
Format: A3	Material: PS, ABS	
Scale 1:2	Tolerance: +/- 0.8	



All rights reserved, Copyright Kradox 2016

Product model: Enclosure Z46AS - cover

Format: A3 Material: PS, ABS

Scale 1:2 Tolerance: +/- 0.8

