

A |

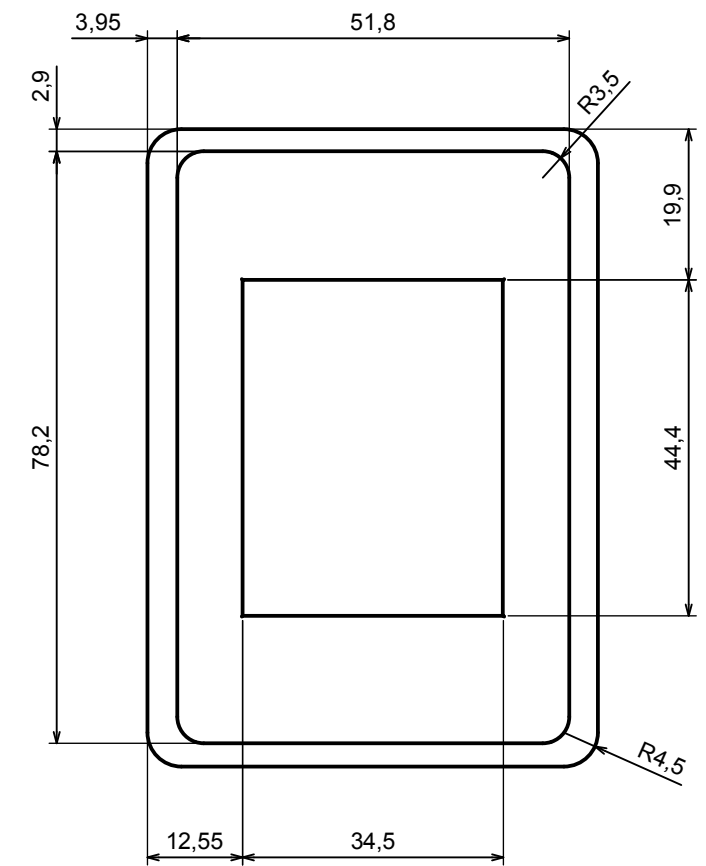
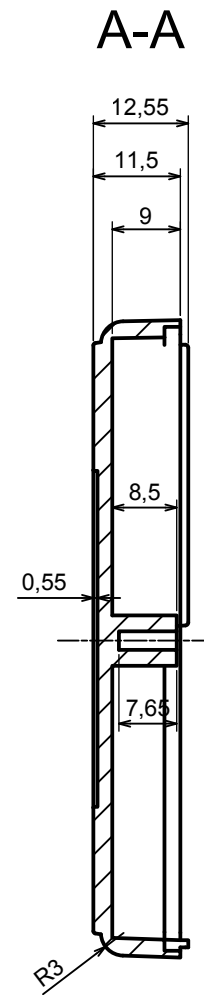
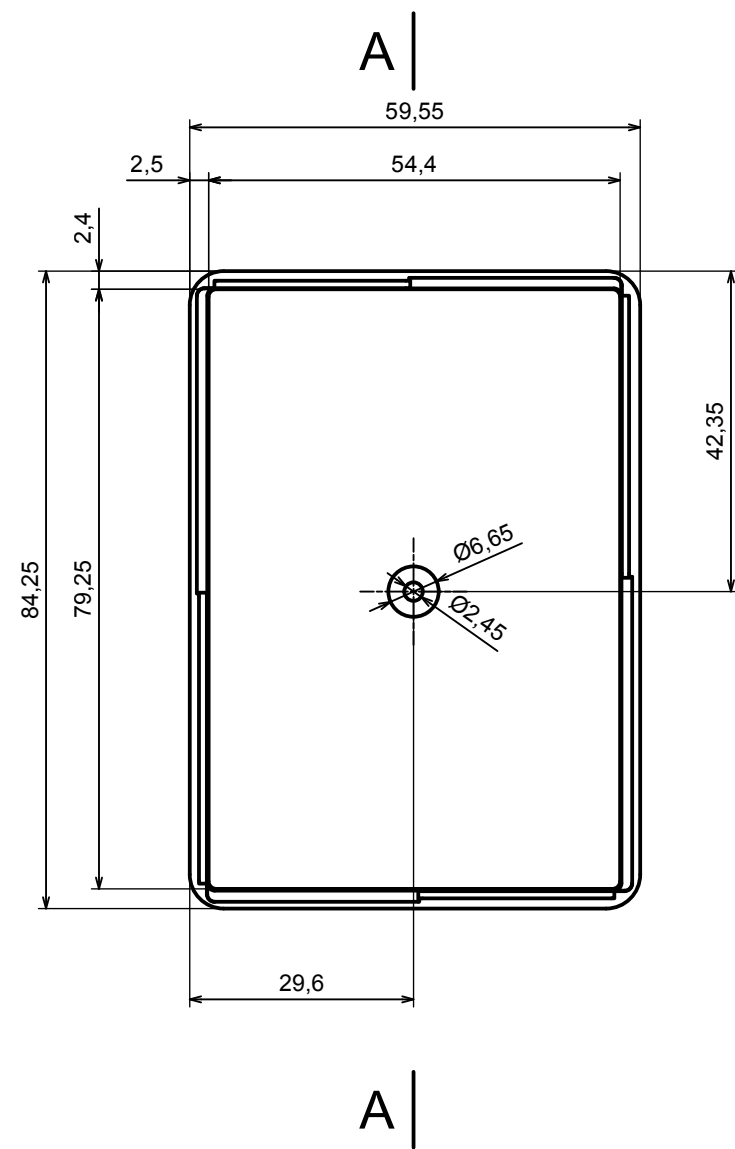
All rights reserved, Copyright Kradex 2017

Product model	Enclosure Z23 - Assembly
---------------	--------------------------

Format: A3	Material: PS, ABS
------------	-------------------

Scale 1:1	Tolerance: +/- 0.8
-----------	--------------------





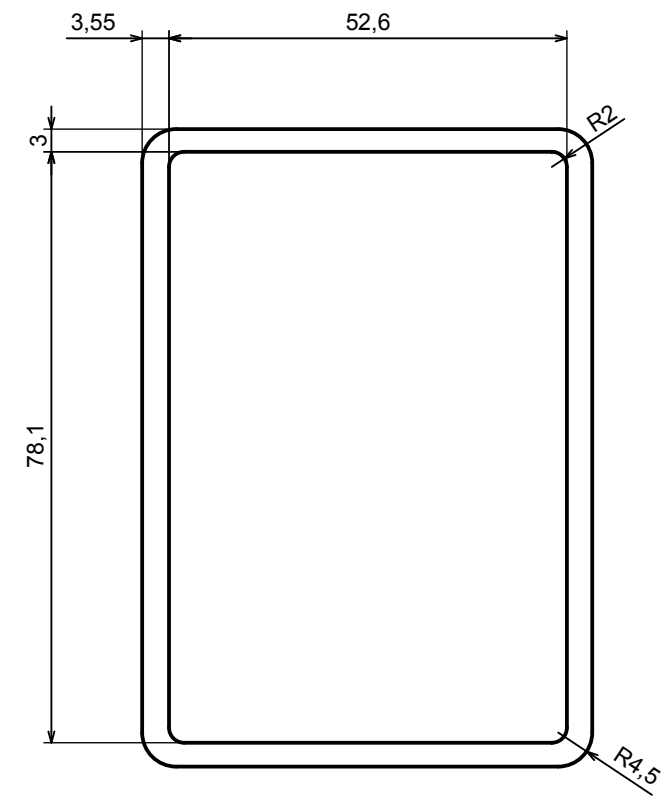
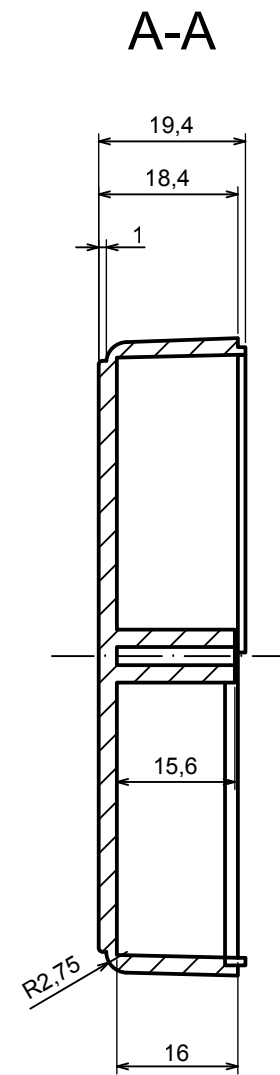
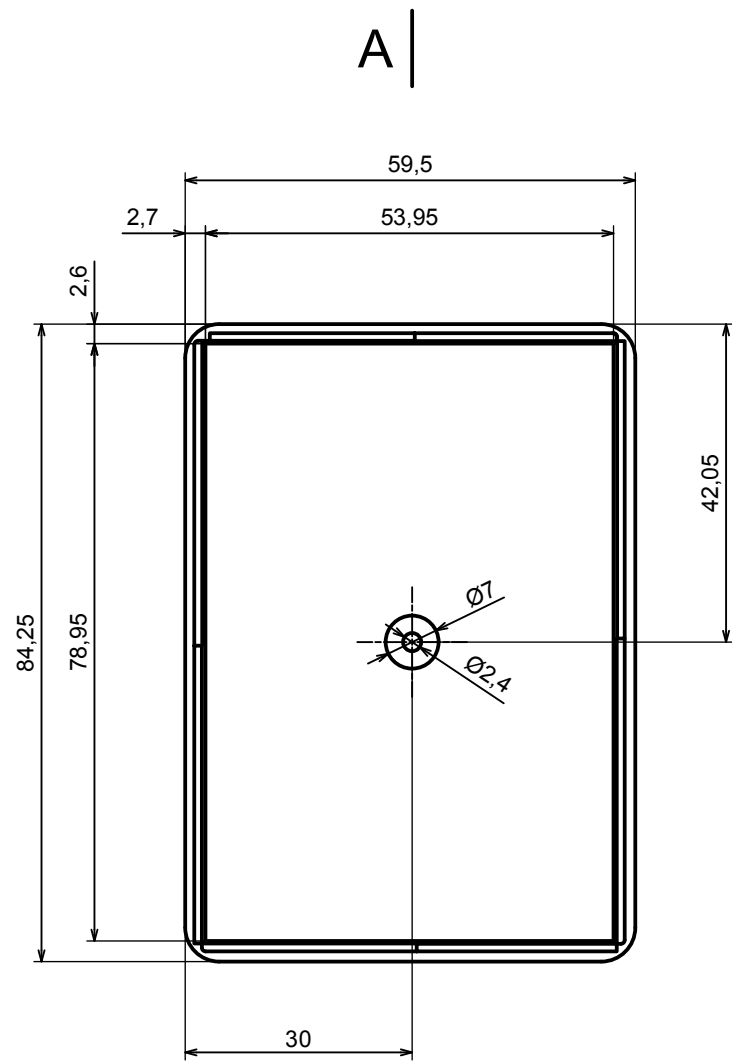
All rights reserved, Copyright Kradex 2017

Product model Enclosure Z23 - Base


Format: A3 Material: PS, ABS

Scale 1:1 Tolerance: +/- 0.8





A |

All rights reserved, Copyright Kradex 2017		
Product model	Enclosure Z23 - Cover	
Format: A3	Material: PS, ABS	
Scale 1:1	Tolerance: +/- 0.8	