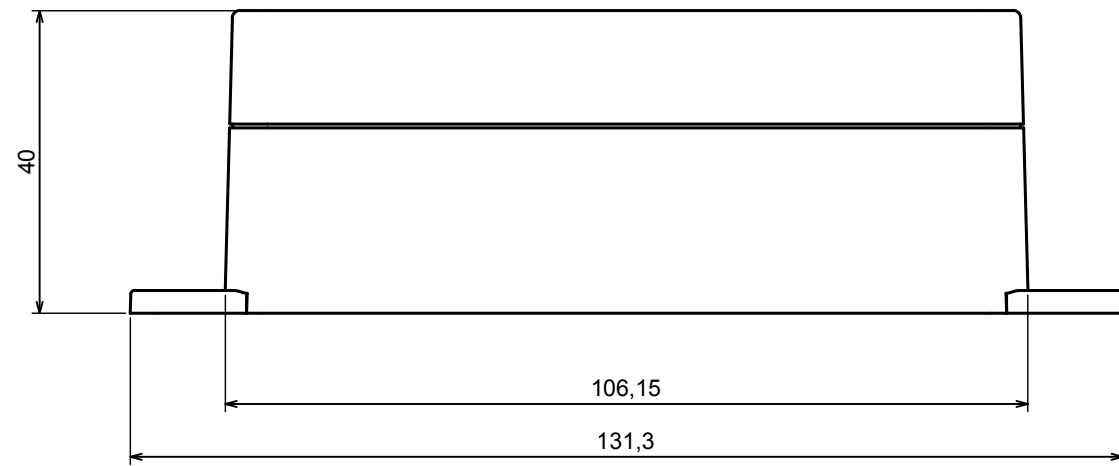
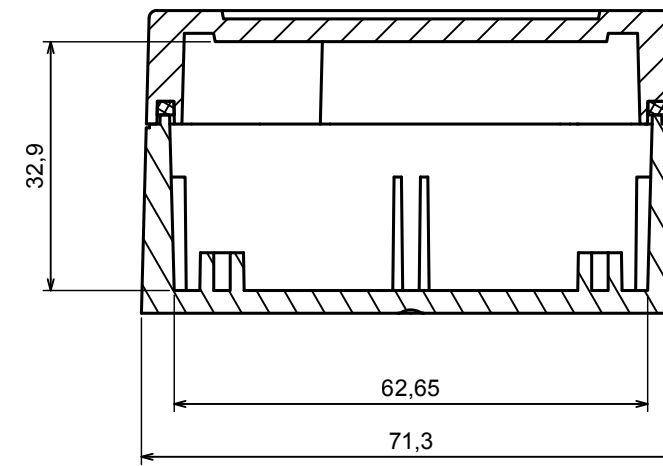


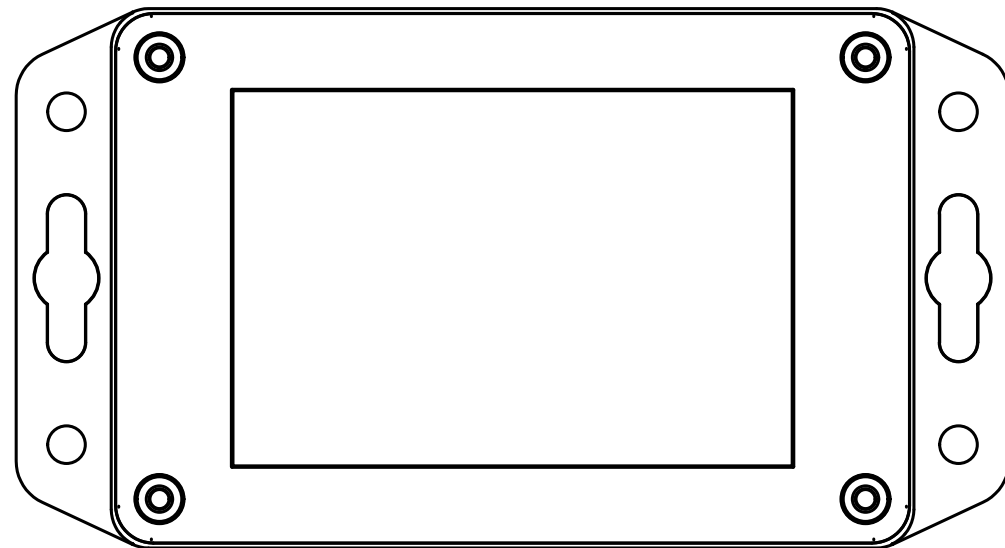
A |



A-A



A |



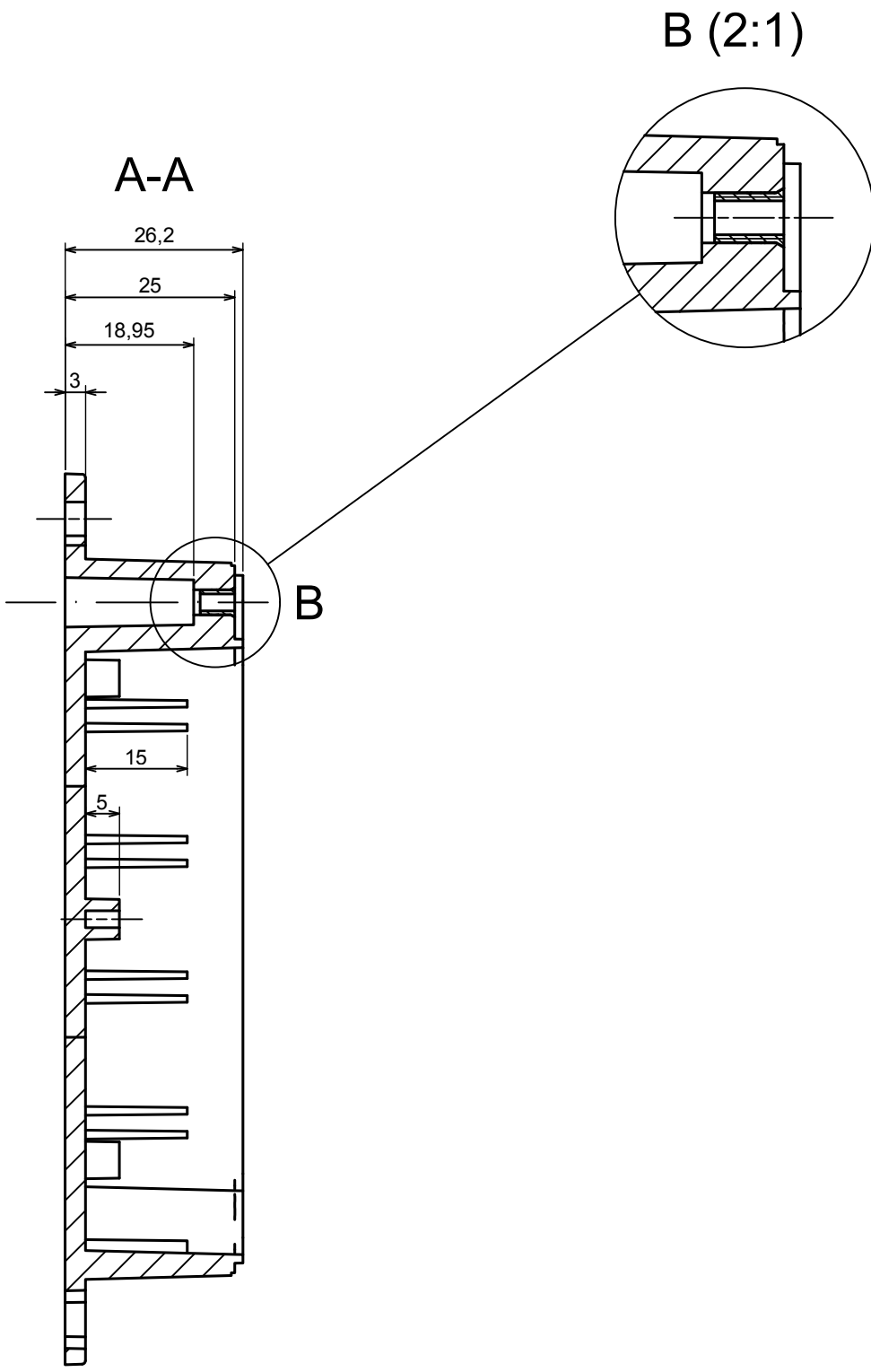
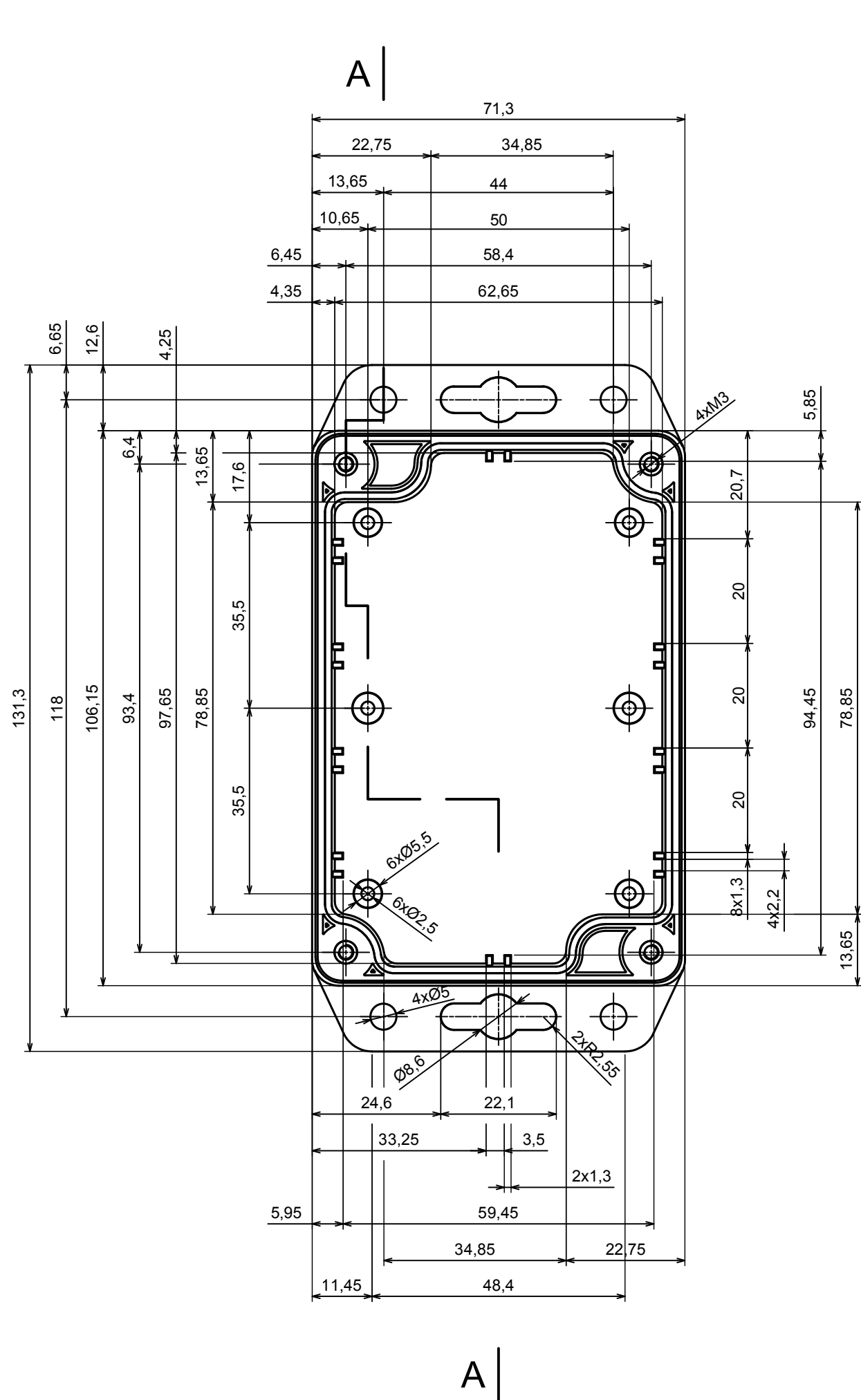
All rights reserved, Copyright Kradex 2018


Product model Enclosure Z128SU - Assembly

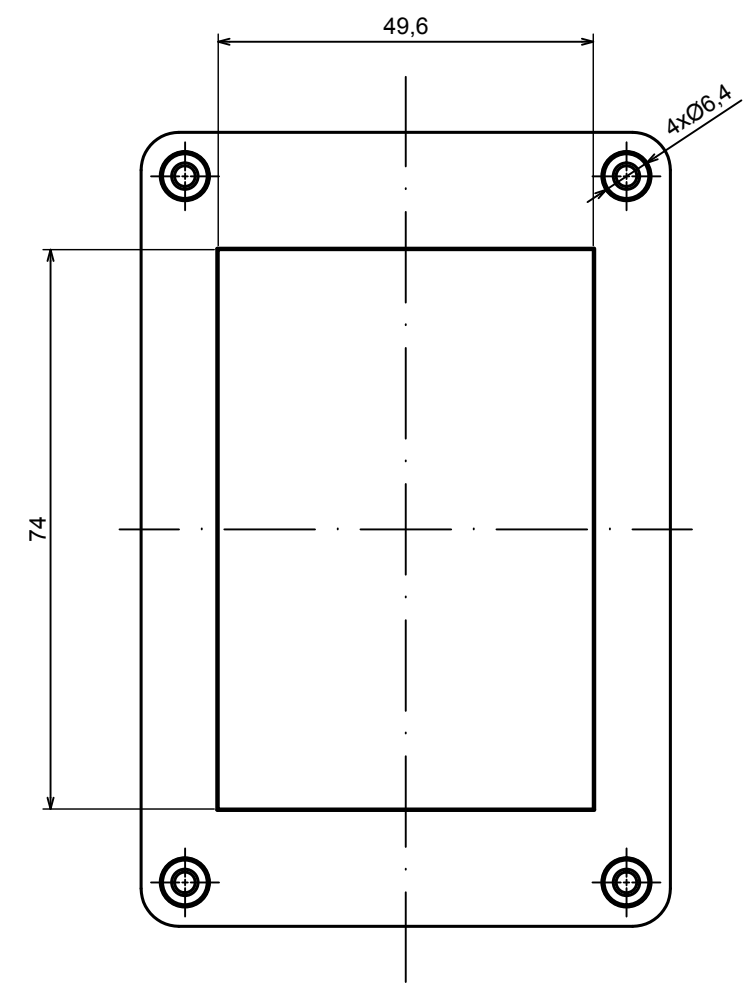
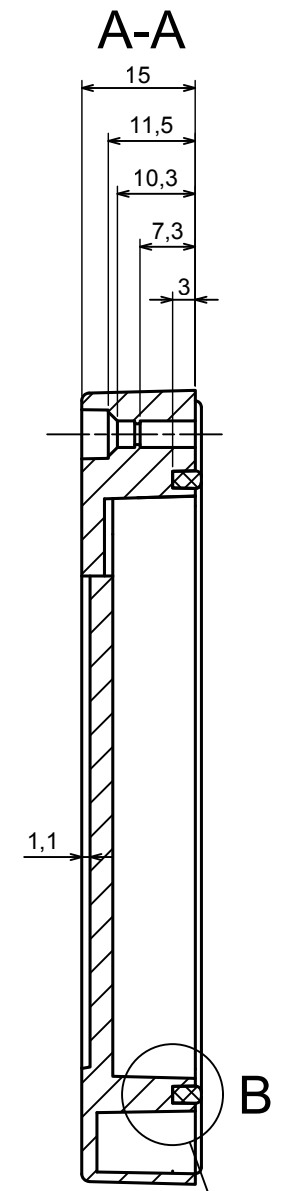
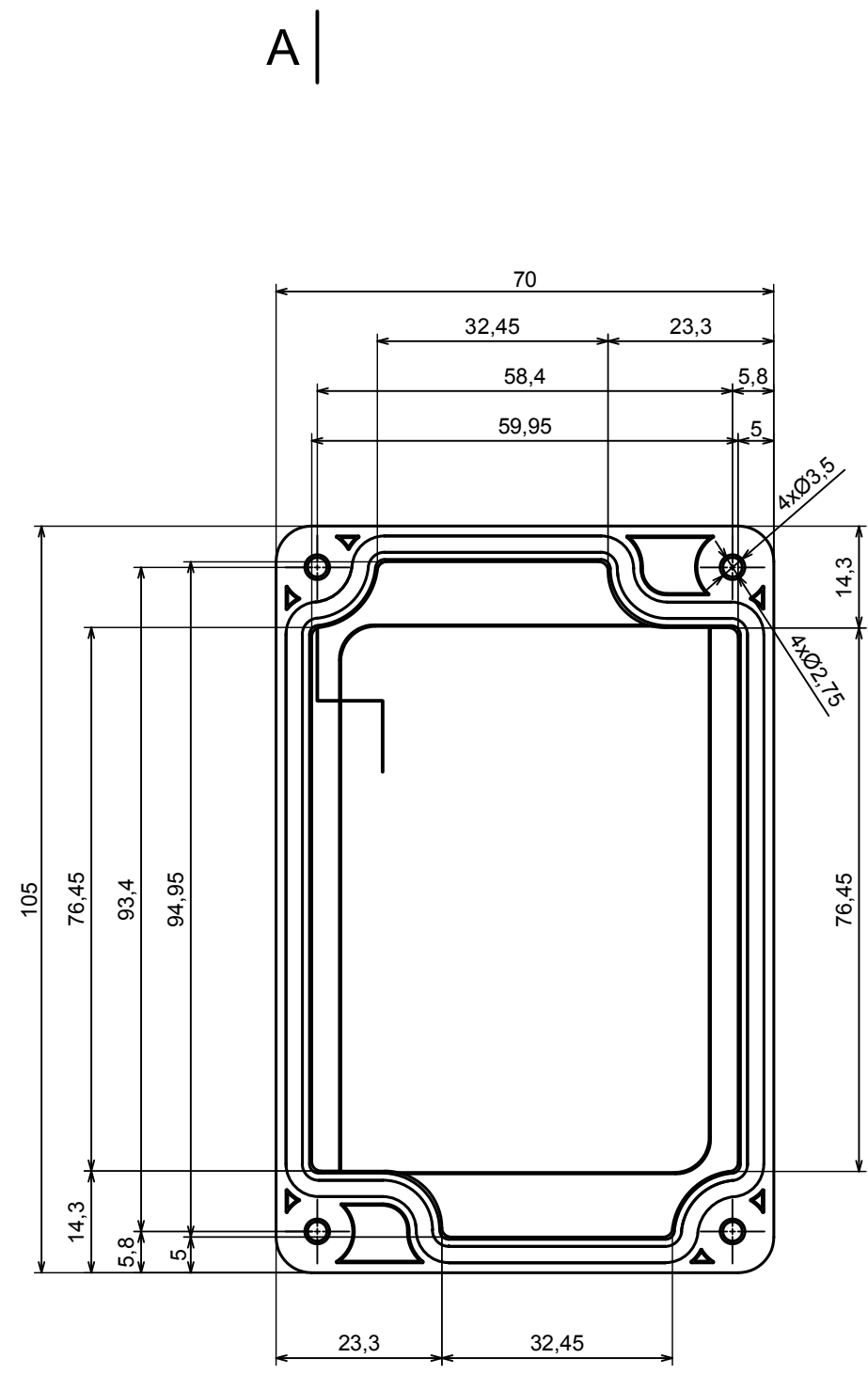
Format: A3 Material: PC, ABS

Scale 1:1 Tolerance: +/- 0.6



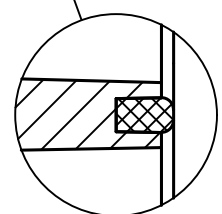


All rights reserved, Copyright Kradox 2018		
Product model	Enclosure Z128SU - Base	
Format: A3	Material: PC, ABS	
Scale 1:1	Tolerance: +/- 0.6	



A |

B (2:1)



All rights reserved, Copyright Kradox 2018	
Product model	Enclosure Z128SU - Cover
Format: A3	Material: PC, ABS
Scale 1:1	Tolerance: +/- 0.6

