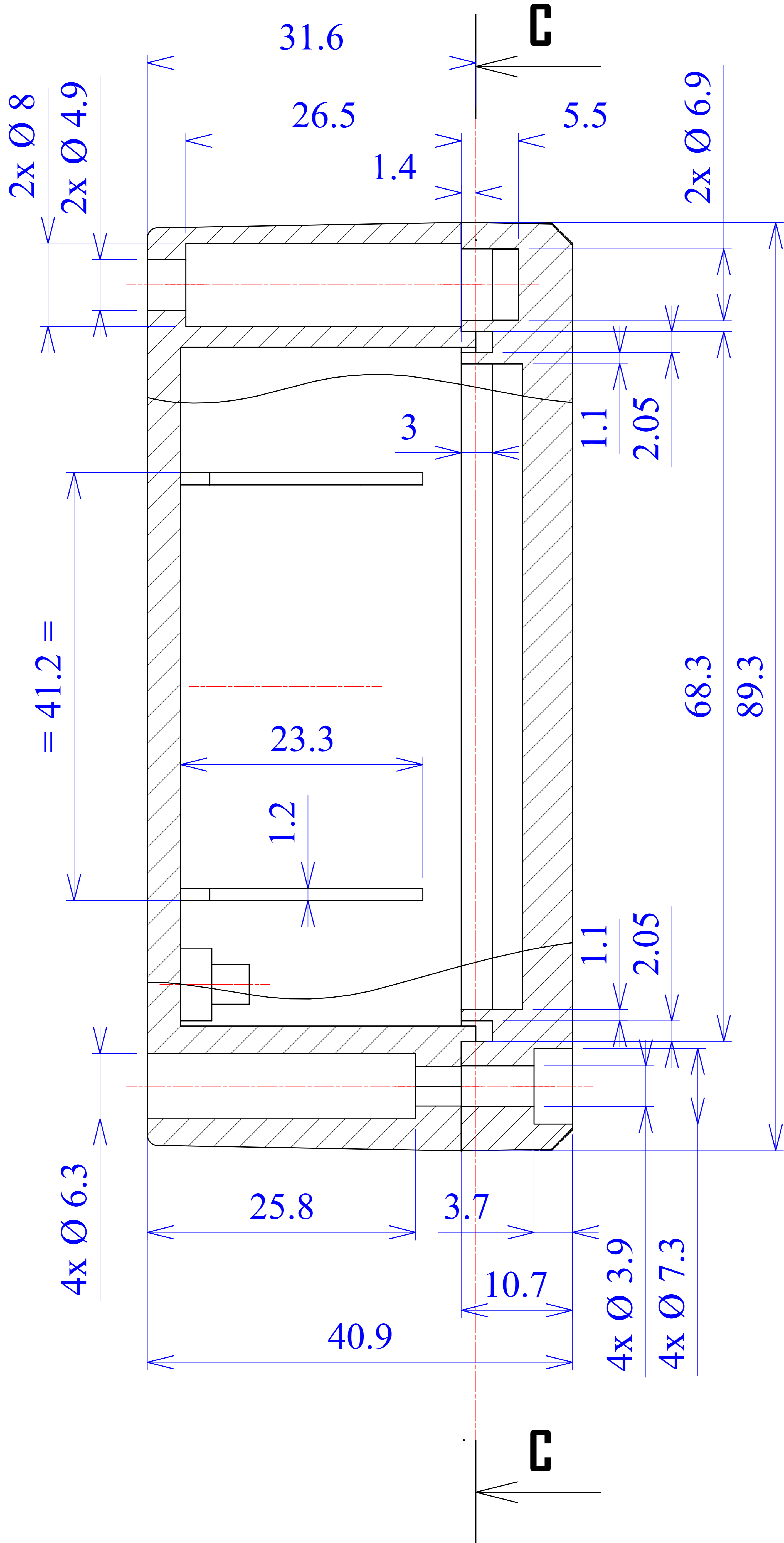
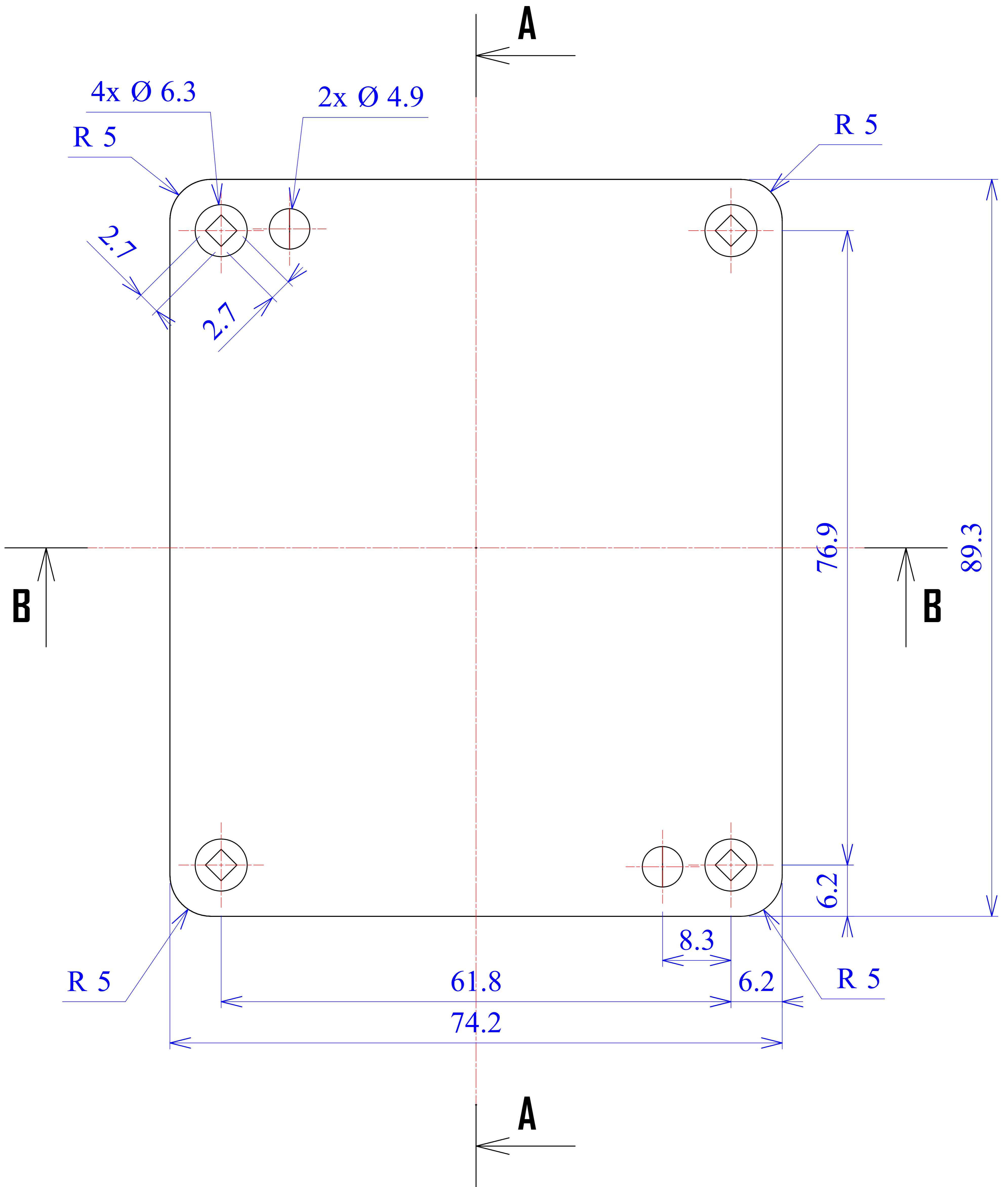
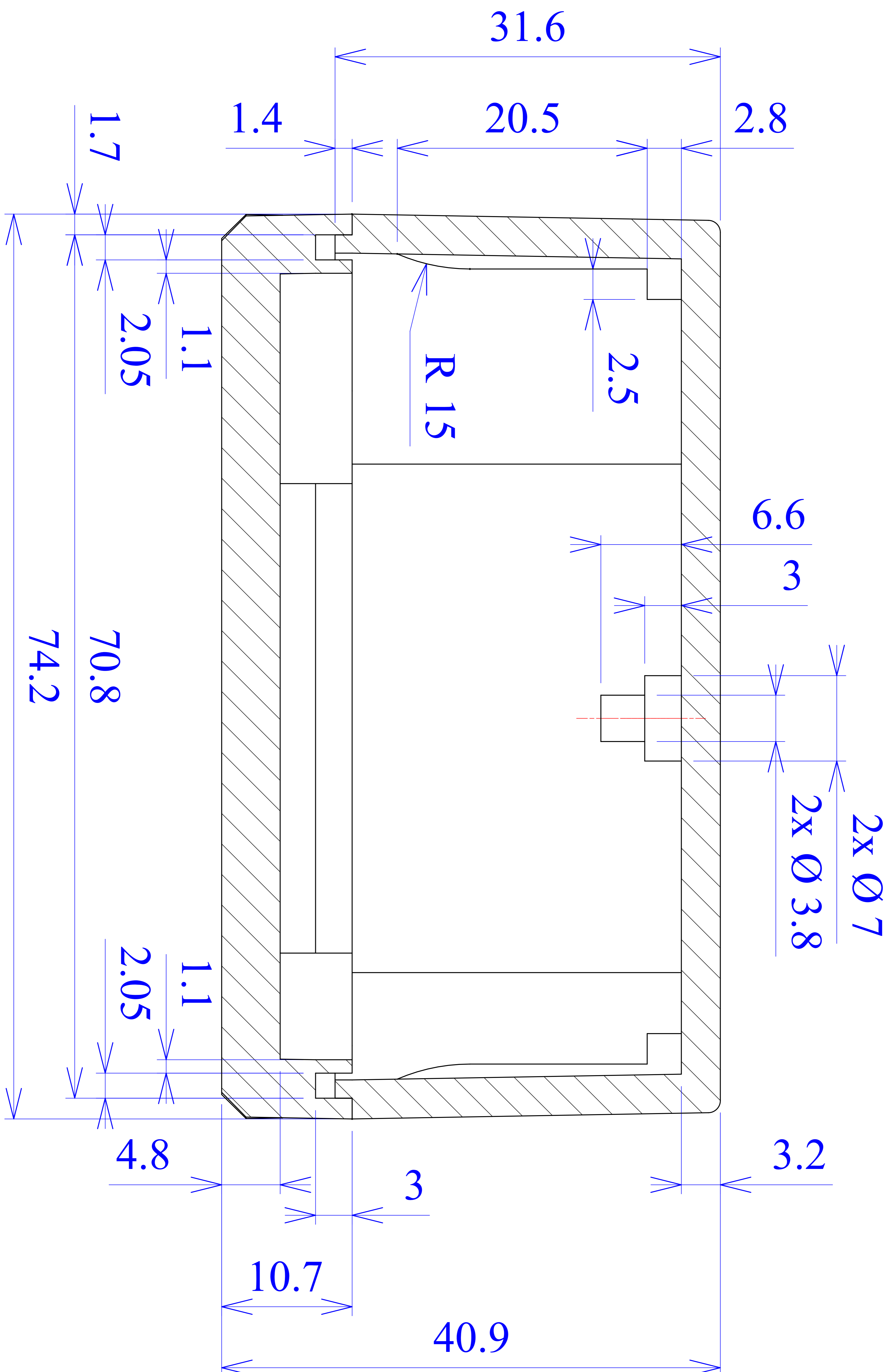


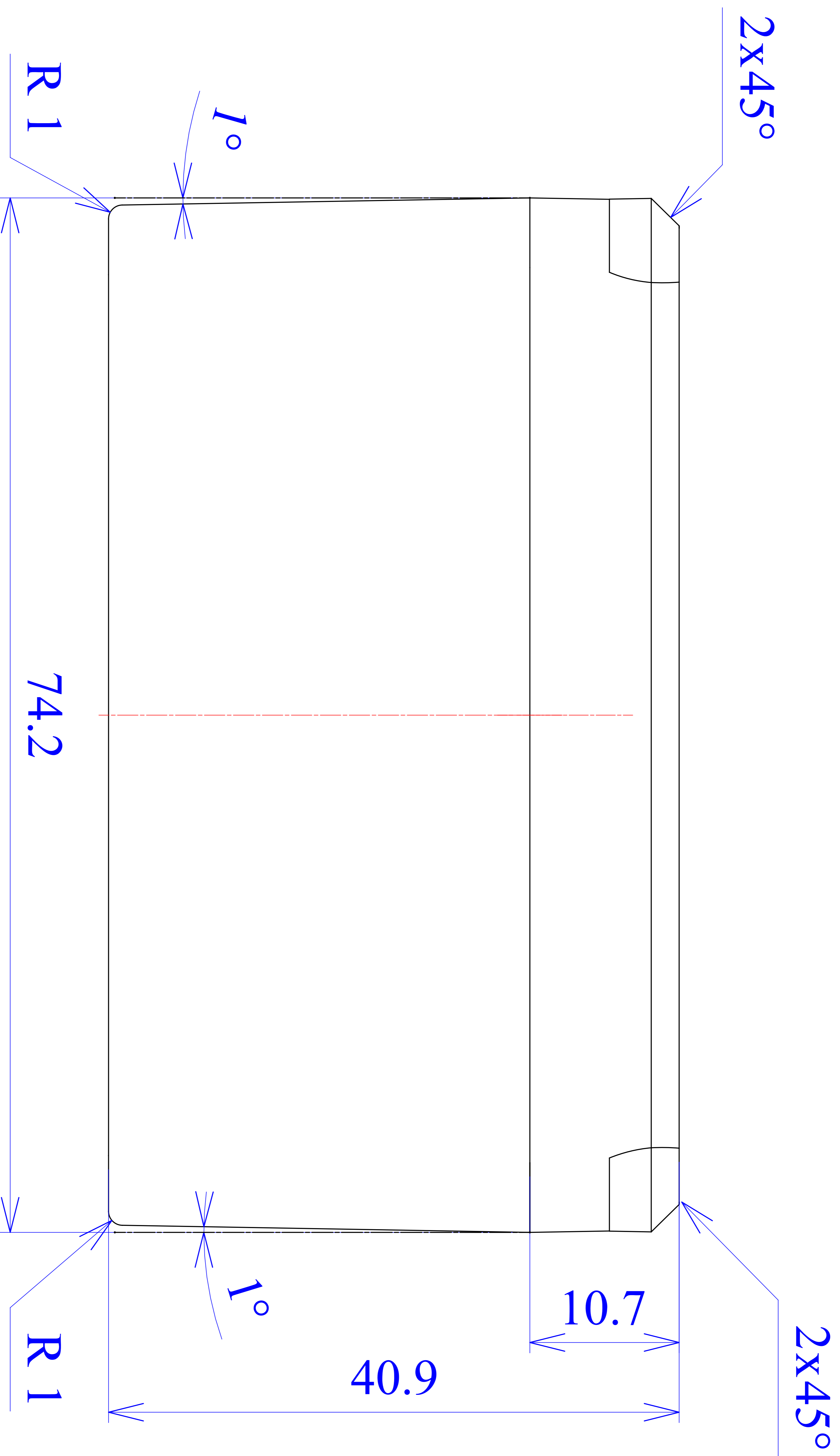
A - A

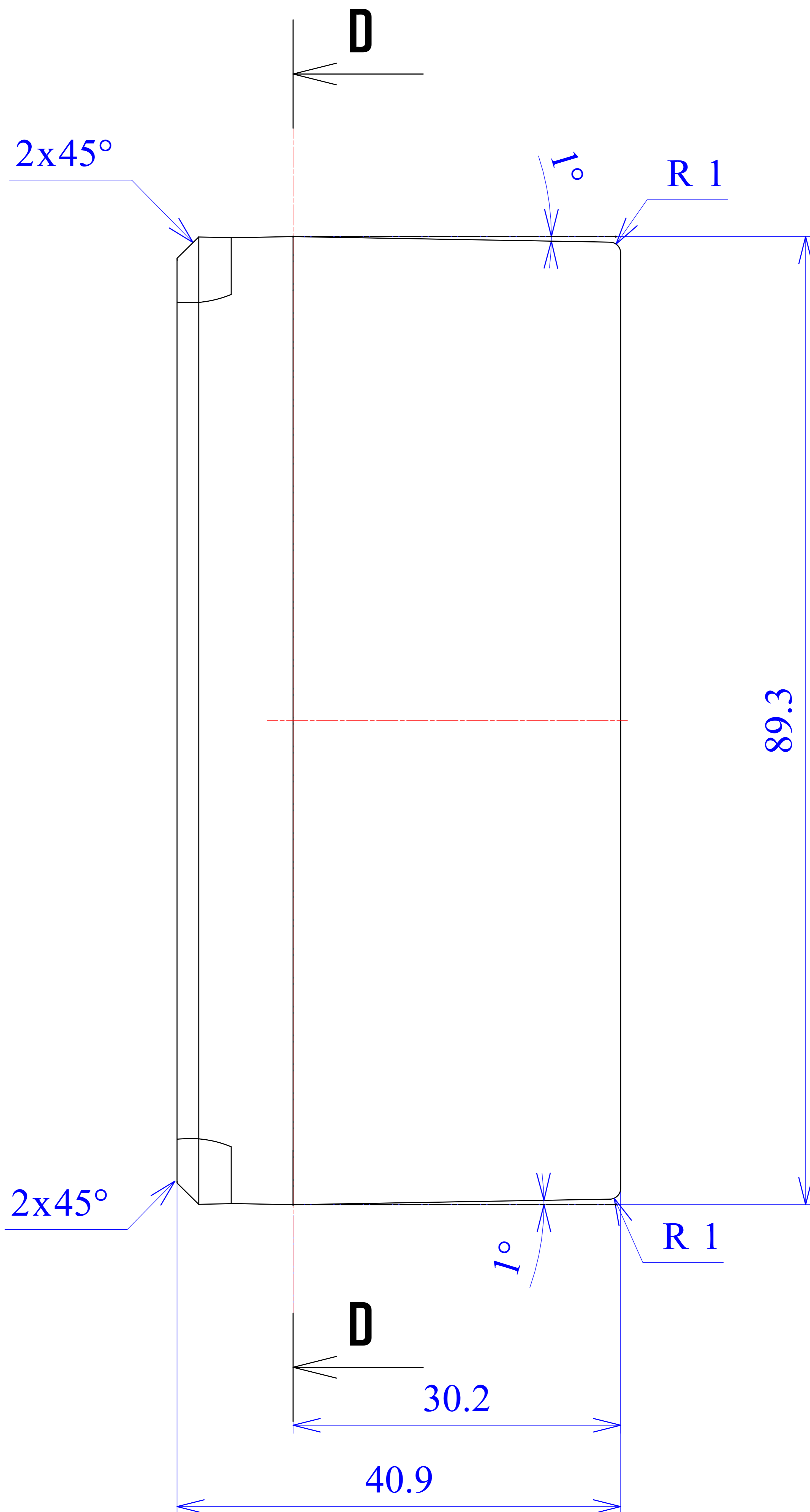




B - B







4x Ø 7.3

4x Ø 3.9

2.7

2.7

76.9

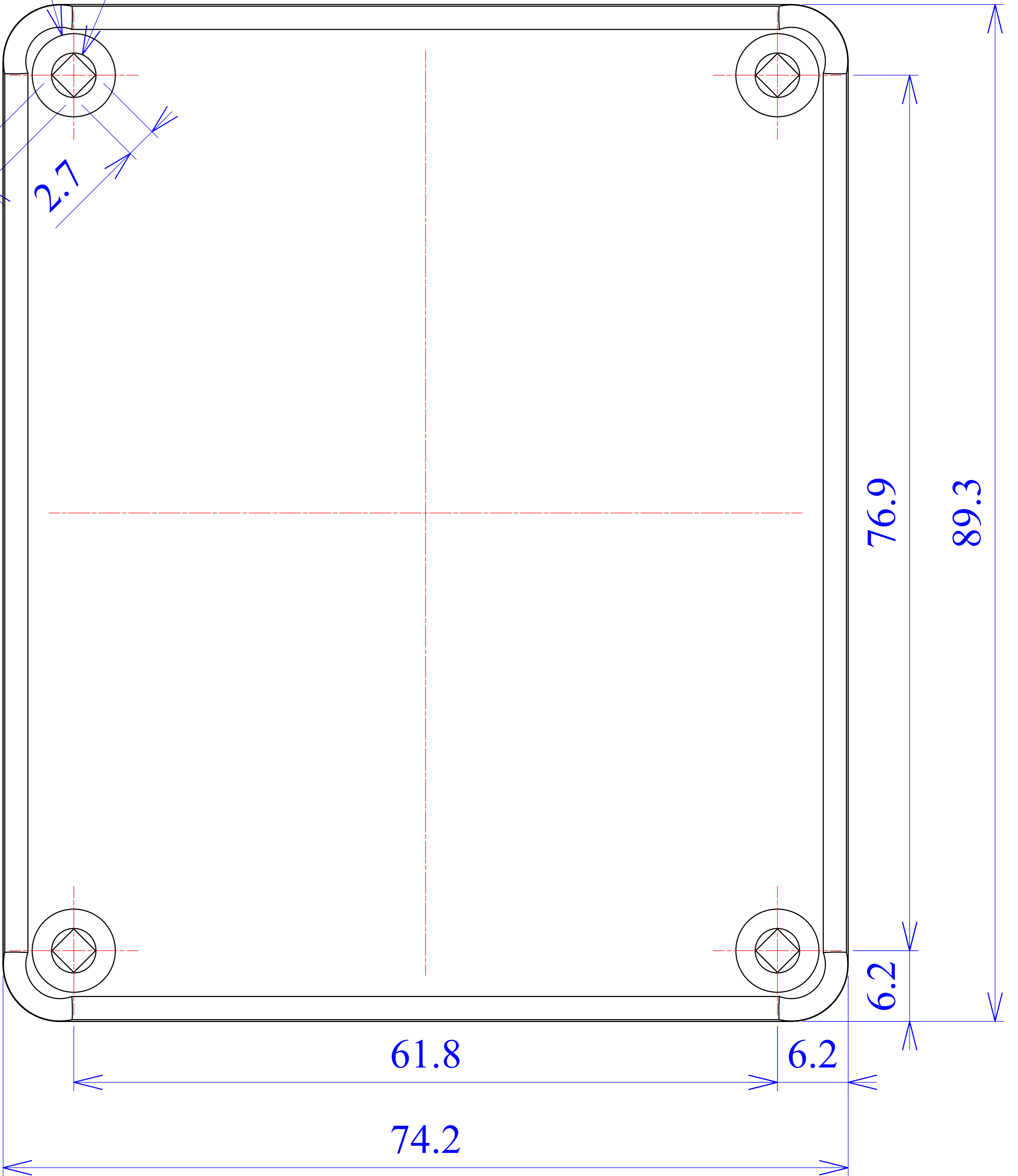
89.3

61.8

6.2

6.2

74.2



C - C

