
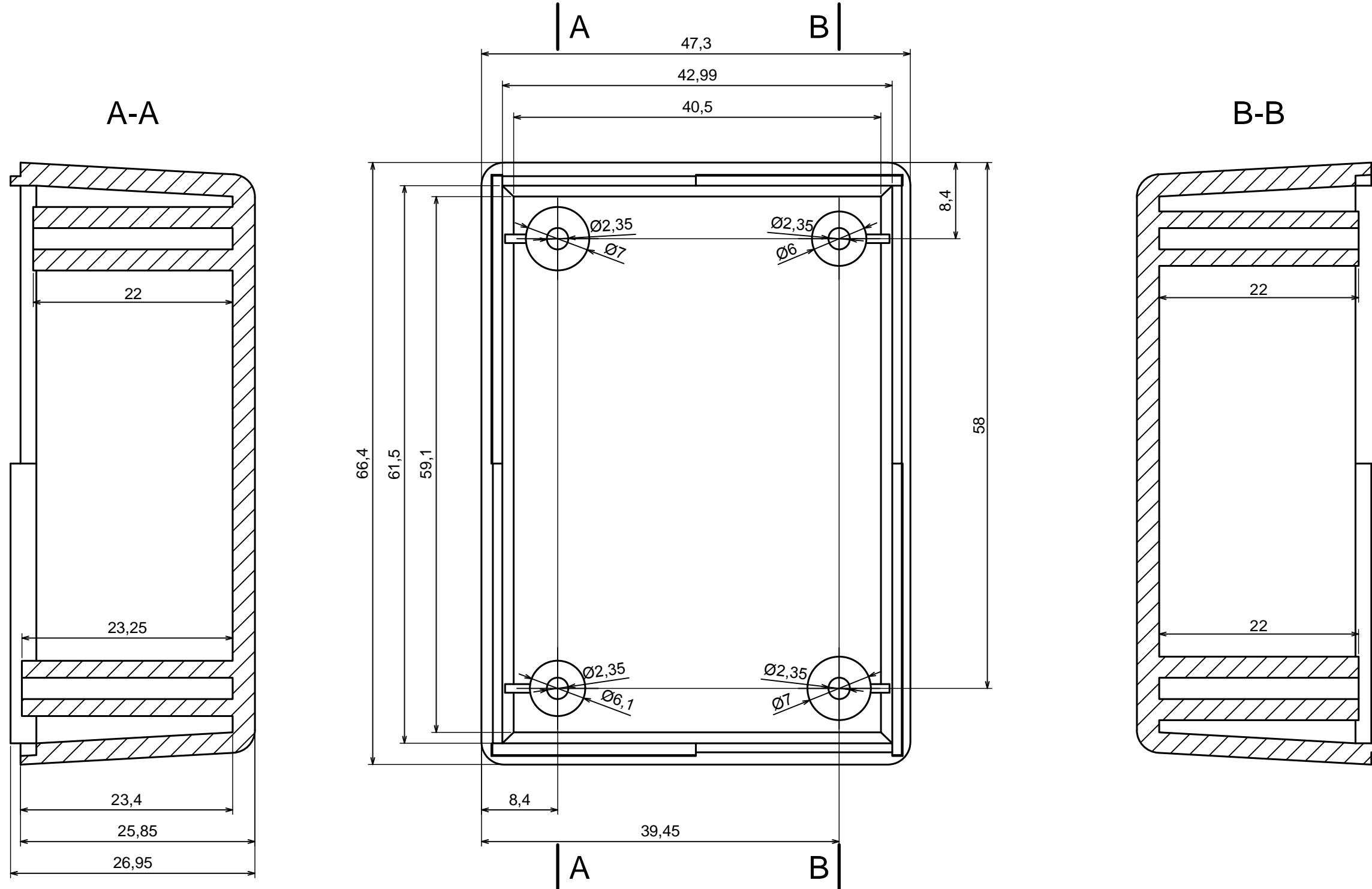
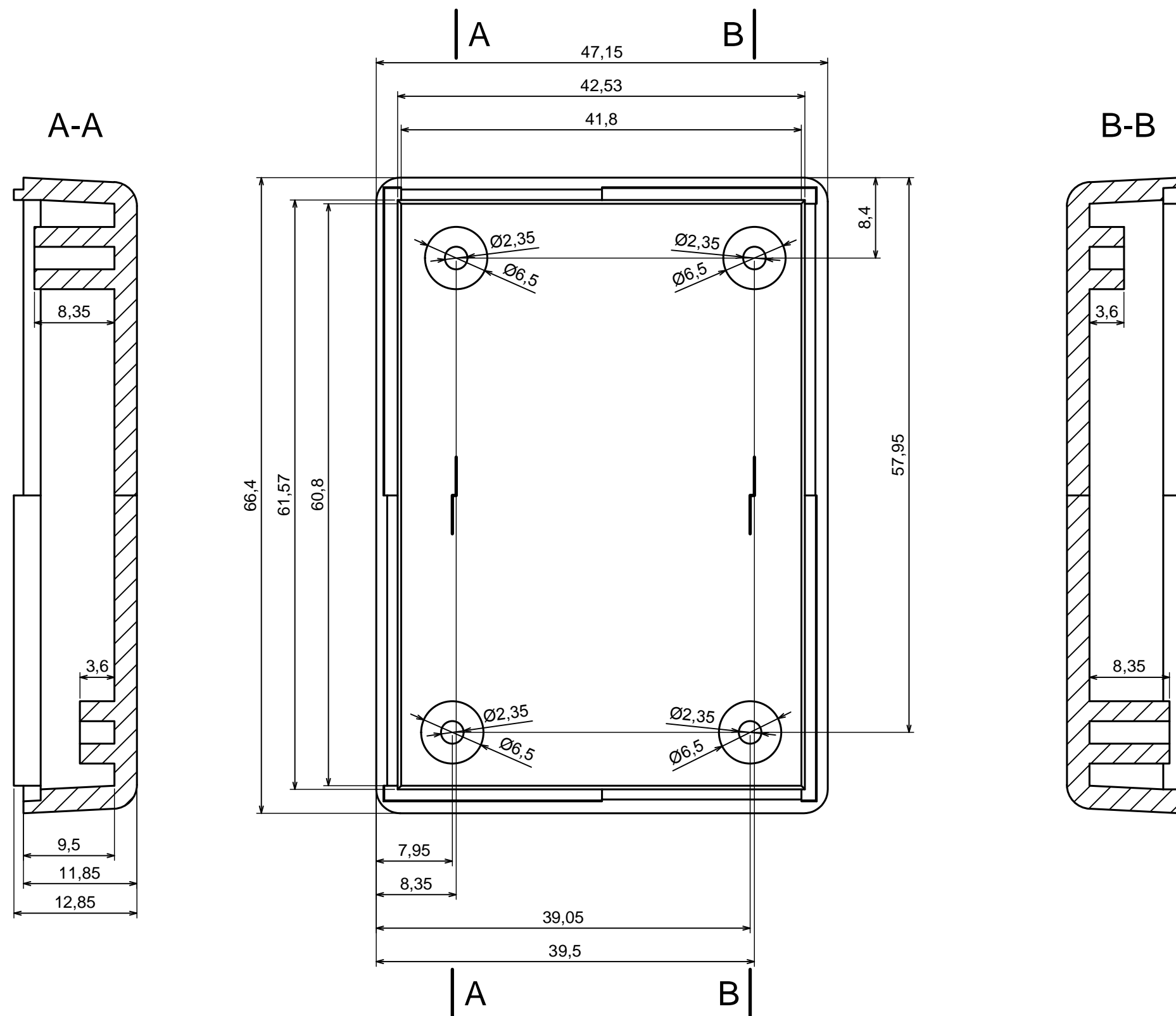


All rights reserved, Copyright Kradex 2016		
Product model:	Enclosure Z24 - Assembly	
Format: A3	Material: PS, ABS	
Scale 2:1	Tolerance: +/- 0.5	



All rights reserved, Copyright Kradox 2016	
Product model:	Enclosure Z24- Base
Format: A3	Material: PS, ABS
Scale 2:1	Tolerance: +/- 0.5





All rights reserved, Copyright Kradox 2016

Product model: Enclosure Z24 - Cover

Format: A3 Material: PS, ABS

Scale 2:1 Tolerance: +/- 0.5

