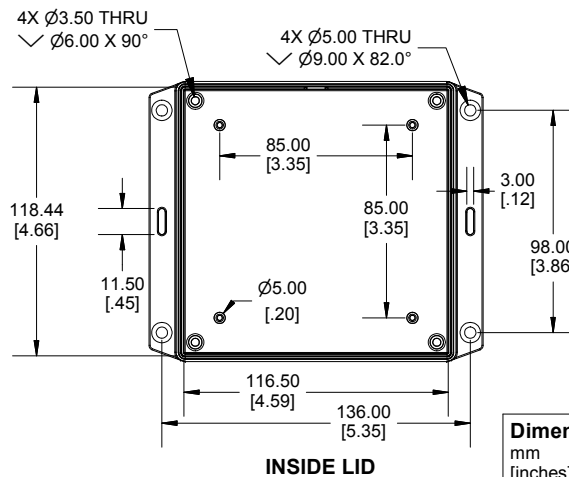
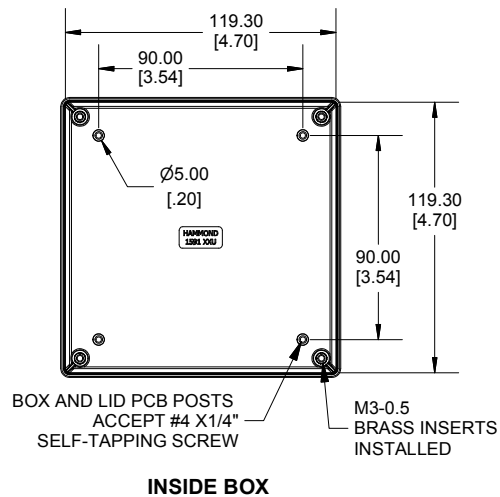


Enclosures can be Factory Modified ( Milling, Drilling, Printing etc.)  
Contact Factory [mjm@hammondmfg.com](mailto:mjm@hammondmfg.com) for quotes  
Solid models of this enclosure available in STEP or IGES.  
(Part number and text placement/orientation on our products are subject to change, we do not recommend using them as a locating reference for modification purposes)

NOTE	
Purchased assembly includes box, lid, 4 cover screws and installed brass inserts.	
Enclosure molded from FRABS UL 94-V0 Plastic.	
Other materials / colours available consult factory.	
Recommended Torque : (43-50) Ozf.in / (30-35) cN.m	



Dimensions:  
mm  
[inches]

PART NUMBERS	
1591XXUFL Enclosure	
Black Textured Enclosure	1591XXUFLBK
Gray Textured Enclosure	1591XXUFLGY
ACCESSORIES	
Black Cover Screws [M3-0.5 X 10mm]	1591MS100BK (Pkg 100)
Plated Cover Screws [M3-0.5 X 10mm]	1591MS100 (Pkg 100)
P.C. Board Screws	1593ATS50 (Pkg 50)
#4 x 1/4" self-tapping (6.4mm)	1593ATS100 (Pkg 100)

**HAMMOND MANUFACTURING**  
**1591XXUFL**  
www.hammondmfg.com