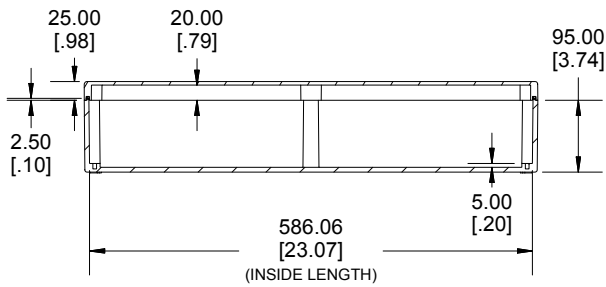
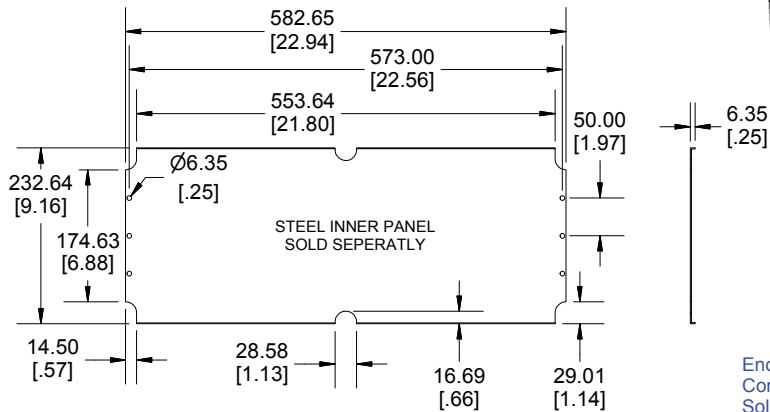


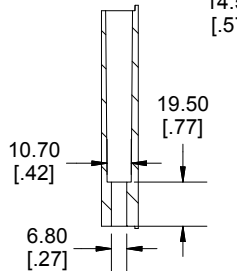
SECTION A-A



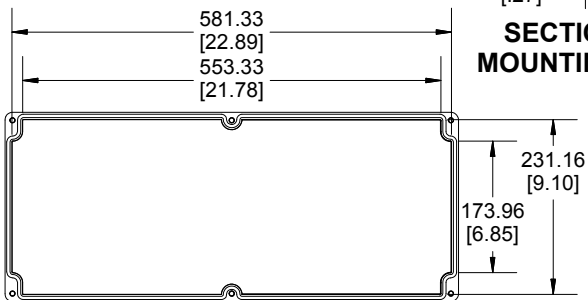
SECTION B-B



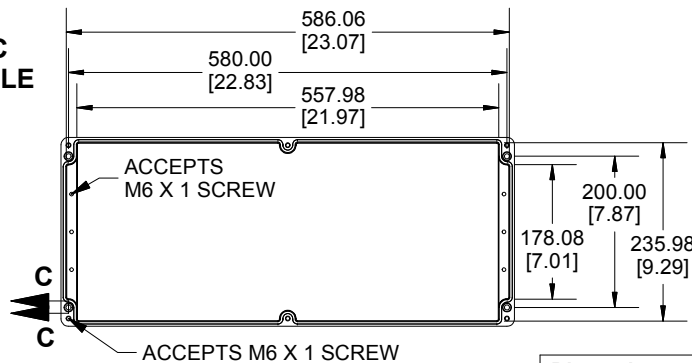
Enclosures can be Factory Modified (Milling, Drilling, Printing etc.)
 Contact Factory mjm@hammondmfg.com for quotes
 Solid models of this enclosure available in STEP or IGES.
 (Part number and text placement/orientation on our products are subject to change,
 we do not recommend using them as a locating reference for modification purposes)



**SECTION C-C
MOUNTING HOLE**



INSIDE LID



INSIDE BOX

Dimensions:
mm
[inches]

NOTE	
Purchased assembly includes Box, Lid, Gasket and 6 cover screws	
Enclosure Molded from Glass Reinforced Polyester	
Screw Should Not be Torqued Past 8-9.5 lbf.in (90-110 cN.m)	
PART NUMBERS	
1590ZGRP263 Enclosure	
Grey Enclosure	1590ZGRP263GY
ACCESSORIES	
Copper Ground Hardware (4 Pack) [M6 - 1.0 X 6mm / M6 Washer]	SCGM6GRP
Steel Inner Panel	1590ZGRP263PL
Hinge Kit (2 Pack)	1427HK

