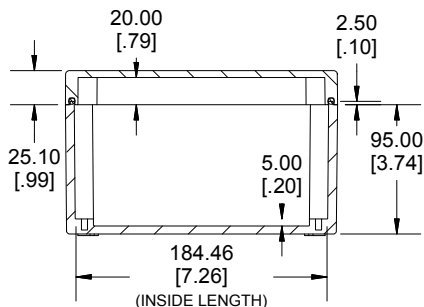
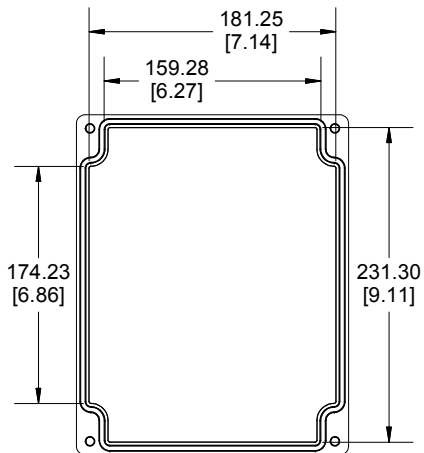


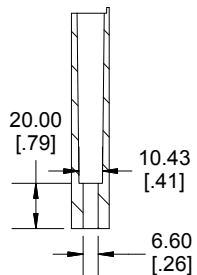
TOP VIEW



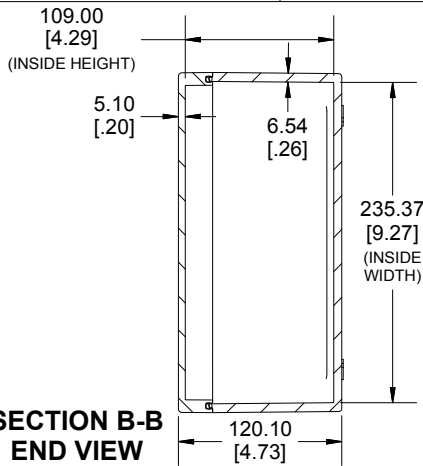
**SECTION A-A
SIDE VIEW**



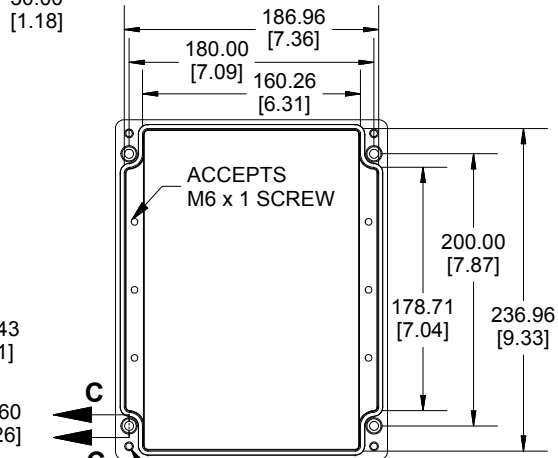
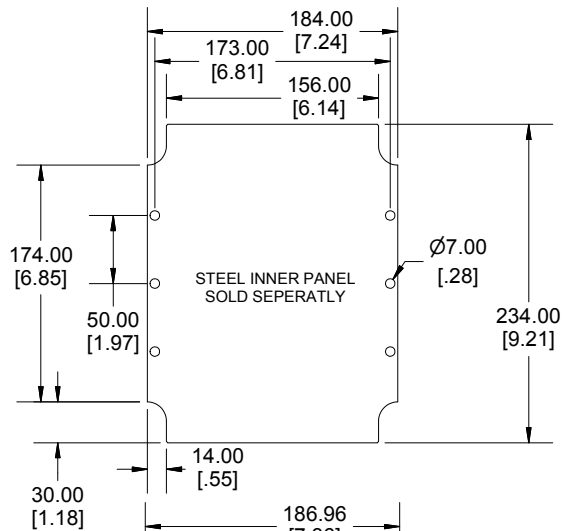
INSIDE LID



**SECTION C-C
MOUNTING HOLE**

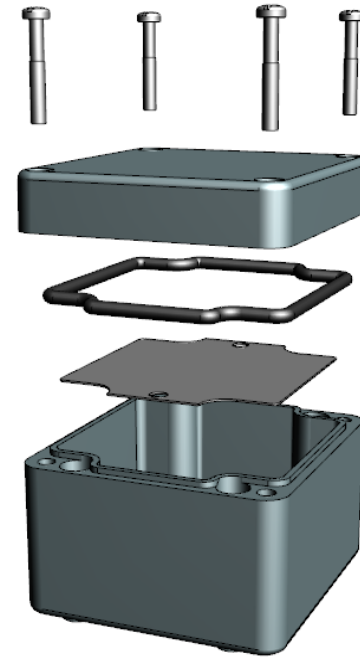


**SECTION B-B
END VIEW**



INSIDE BOX

Dimensions:
mm
[inches]



Enclosures can be Factory Modified (Milling, Drilling, Printing etc.)
Contact Factory mjm@hammondmfg.com for quotes
Solid models of this enclosure available in STEP or IGES.
(Part number and text placement/orientation on our products are subject to change,
we do not recommend using them as a locating reference for modification purposes)

NOTE	
Purchased assembly includes Box, Lid, Gasket and 4 cover screws	
Enclosure Molded from Glass Reinforced Polyester	
Screw Should Not be Torqued Past 8-9.5 lbf.in (90-110 cN.m)	
PART NUMBERS	
1590ZGRP233 Enclosure	
Grey Enclosure	1590ZGRP233GY
ACCESSORIES	
Copper Ground Hardware (4 Pack) [M6 - 1.0 X 6mm / M6 Washer]	SCGM6GRP
Steel Inner Panel	1590ZGRP233PL
Hinge Kit (2 Pack)	1427HK

1590ZGRP233
www.hammondmfg.com