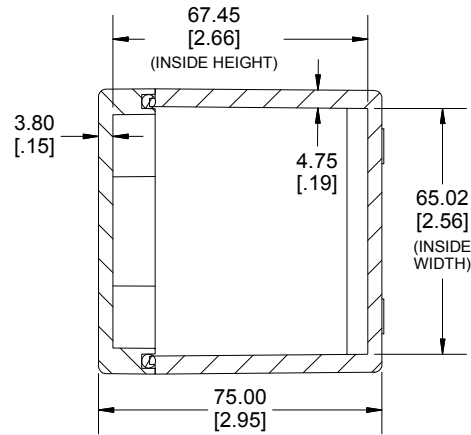
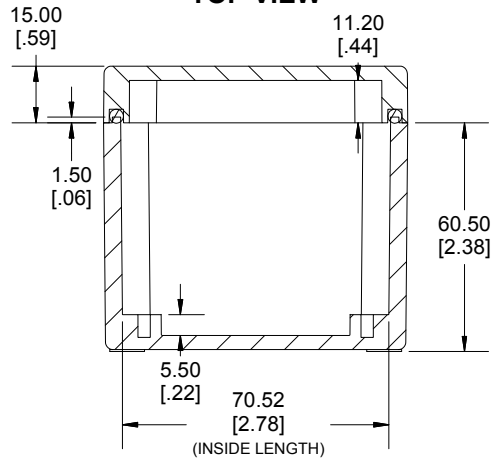


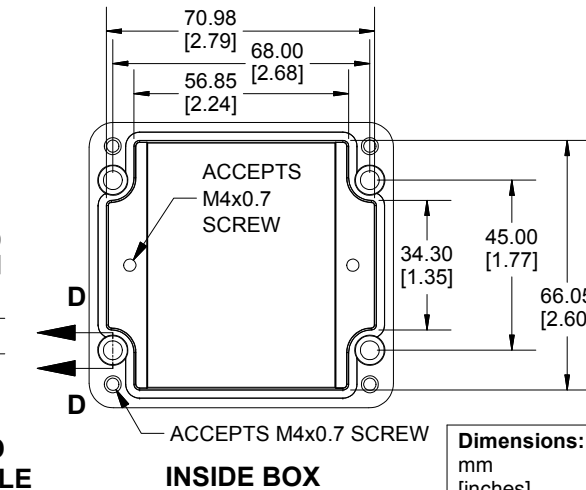
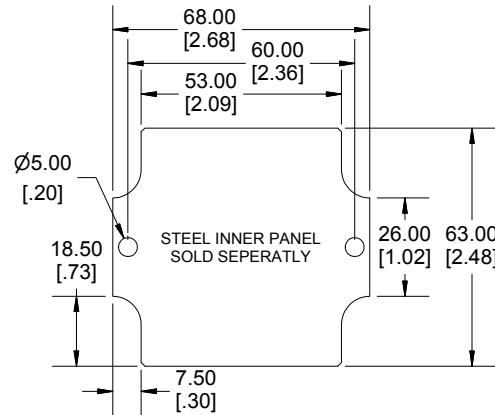
**TOP VIEW**



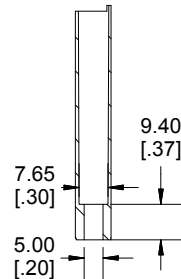
**SECTION B-B  
END VIEW**



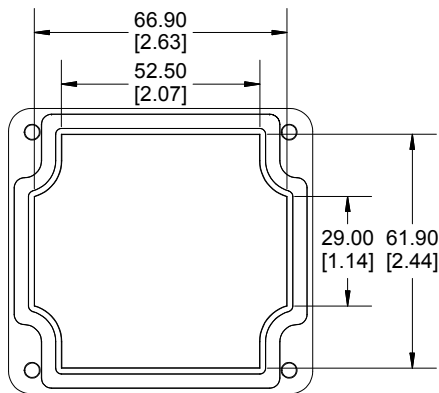
**SECTION A-A  
SIDE VIEW**



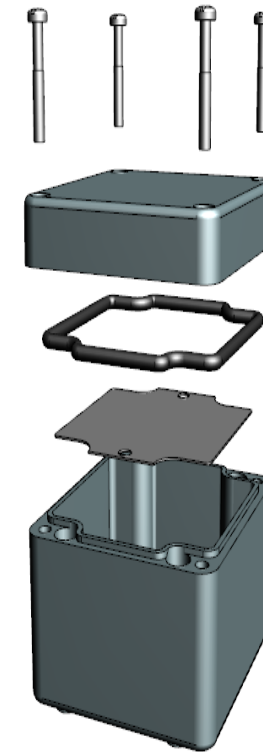
**INSIDE BOX**



**SECTION D-D  
MOUNTING HOLE**



**INSIDE LID**



Enclosures can be Factory Modified ( Milling, Drilling, Printing etc.)  
 Contact Factory [mjm@hammondmfg.com](mailto:mjm@hammondmfg.com) for quotes  
 Solid models of this enclosure available in STEP or IGES.  
 (Part number and text placement/orientation on our products are subject to change,  
 we do not recommend using them as a locating reference for modification purposes)

**NOTE**

Purchased assembly includes Box, Lid, Gasket and 4 cover screws  
 Enclosure Molded from Glass Reinforced Polyester  
**Screw Should Not be Torqued Past 6-7.5 lbf.in (70-85 cN.m)**

**PART NUMBERS**

<b>1590ZGRP084 Enclosure</b>	
Grey Enclosure	1590ZGRP084GY
<b>ACCESSORIES</b>	
Copper Ground Hardware (2 Pack) [M4 - 0.7 X 6mm / M4 Washer]	SCGM4
Steel Inner Panel	1590ZGRP081PL
Hinge Kit (2 Pack)	1427HK

**1590ZGRP084**  
[www.hammondmfg.com](http://www.hammondmfg.com)

Dimensions:  
 mm  
 [inches]